

The background of the advertisement is a dark, repeating pattern of intricate floral and scrollwork designs in a lighter shade of gray. The pattern features large, stylized flowers and swirling acanthus-like leaves.

**VERSACE**

HOME

FULDA

Vor dem Peterstor 16  
36037 Fulda

KONTAKTAUFNAHME PER TELEFON:

+49 661 90169278

KONTAKTAUFNAHME PER E-MAIL:

[versace@homestore-fulda.de](mailto:versace@homestore-fulda.de)

WEITERE INFORMATIONEN:

[www.versace.homestore-fulda.de](http://www.versace.homestore-fulda.de)

[www.langorya.de](http://www.langorya.de)

**VERSACE**  
HOME

# CONTENTS

<b>SOFAS</b>	
Aeternitas	4
Agorà	6
Discovery	8
Drop	11
Goddess	13
Iconic	18
La Greca	20
La Medusa	23
Medusa '95	25
Medusa Trono	29
Palace	31
Stiletto	33
Stiletto Low	37
V21 Signature	40
Zensational	45

<b>ARMCHAIRS</b>	
Acantho	50
Elite	56
Goddess	58
Harem	60
La Greca	62
La Medusa	66
La Medusa Metal	68
La Medusa Round Metal	70
Medusa '95	72
Medusa Trono	76
Stiletto	78
Versace Venus	80

<b>OTTOMANS</b>	
Carré	83
Stiletto	85

<b>BEDS</b>	
La Greca	88
La Medusa	92
Medusa '95	94
Stiletto	96
Stiletto 22 High	98
V-King	100

<b>BEDSIDE TABLES</b>	
Iconic	104
Medallion	106
Medusa '95	108
Via Gesù Greca	110
Via Gesù Medusa	112

<b>FURNITURE ACCESSORIES</b>	
Coat rack valet	115

<b>TABLES</b>	
Casinò Royale	118
Discovery	120
La Medusa	122
Stiletto	124
Tholos	126
V-Marble	129

<b>CHAIRS</b>	
Discovery	133
La Medusa	135
Medusa Trono	137
Ovalina	139
Stiletto	141
Vanitas	143

<b>COFFEE AND SIDE TABLES</b>	
Acropolis	146
Agorà	148
Gold Unique	150
Iconic	152
Iconic Round	154
La Greca	156
La Medusa	158
Medallion	160
Medusa '95	162
Stiletto	164
The Stage	167
V-Marble	169

<b>CONSOLES</b>	
Greca Vanity	172
Via Gesù Greca	174
Via Gesù Medusa	176

<b>BOOKSHELF</b>	
La Greca	181

<b>CABINETS</b>	
Iconic	184
Iconic Buffet	186
Iconic Low	188
La Medusa	190
Stiletto	192

<b>CHEST OF DRAWERS</b>	
Iconic	197
Stiletto	199
Via Gesù Greca	201
Via Gesù Medusa	203

<b>SIDEBOARD</b>	
Stiletto	206

<b>MIRRORS</b>	
Greca	209
Narcissus	211

<b>LIGHTING</b>	
Acropolis	214
Goddess	216
Goddess Led	218
Goddess Marble	220
La Greca	222
Narcissus	224
Signal	226
Versace Galaxy	228

<b>DECORATIVE ITEMS - VASES</b>	
Murano Atelier Medusa	231
Murano Atelier Silhouette	233

<b>DECORATIVE ITEMS - TRAYS</b>	
Acropolis	236
Greca	238

<b>DECORATIVE ITEMS - BOXES</b>	
Acropolis	241
Barocco	243
N° 12	245

<b>DECORATIVE ITEMS - PHOTOPHORE</b>	
Acropolis	248

<b>RUGS</b>	
	251

<b>TEXTILE ACCESSORIES</b>	
Cushions	254
Throws	256
Bed linen	257

<b>OUTDOOR</b>	
La Medusa Round Metal	260
Medusa '95	264
Stiletto Outdoor	266
Narcissus Outdoor	276
Iconic Round Outdoor	278
La Greca Outdoor	280
Stiletto Outdoor	282
Stiletto Intreccio	287
Pop Medusa	289

The images and the colours of the products in this file are purely for information. The products shown do not have only one standard cover. Depending on the model, products can be covered both in fabric and/or leather as from the official Versace Home collection. All the dimensions included in technical descriptions are in cm (inch.), approximate and subject to possible changes (tolerance of +/- 2%).

Due to natural variations of the colorant dyes during the bathing and drying process of the leathers, some slight differences in shade may occur on the final product.

Any eventual difference in colour that can be noticed between different panels that are joined together to create the same product, must be considered acceptable.

As a result of technical/production updates, the company reserves the right to change the product information shown on this file anytime and without advance notice.

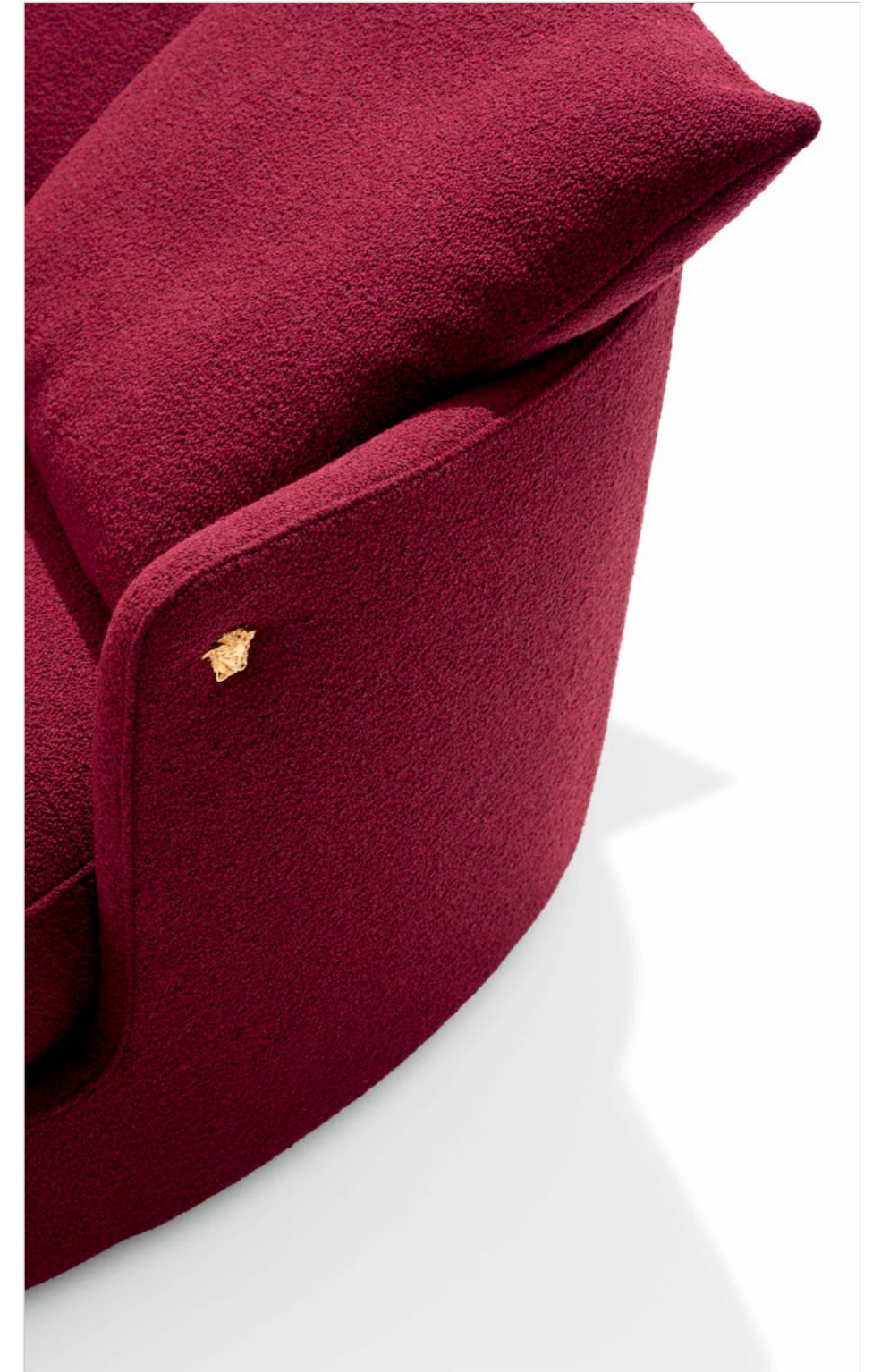
**SOFAS**

LOVE BED

# AETERNITAS

A love bed devoted to sharing moments with kindred souls, Aeternitas features a fabric or leather covered frame. On this furnishing, the 3D Metal Medusa logo in polished Gold finishing pays homage to Versace's DNA.

➤ [SEE ON WEBSITE](#)



LOVE BED

# AETERNITAS

## TECHNICAL SHEET

### FRAME

Wood padded with Polyurethane and Fiberfill, seat frame with interwoven elastic bands. 3D Metal Medusa logo with polished Gold finishing.

### SEAT CUSHION

Feather, Polyurethane and Fiberfill.

### BACK CUSHION

Feather.

### COVER

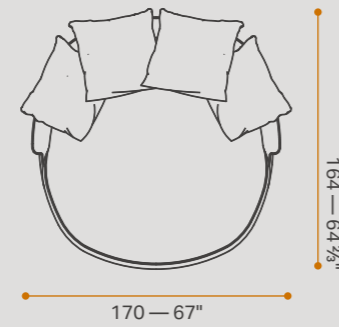
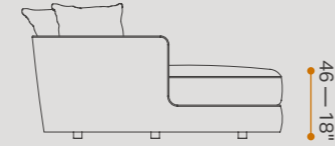
Not removable fabric or leather; microfibre piping with velvet cover, fabric piping with fabric cover or leather piping with leather cover.

### FEET

Wood wengé stained.

### Love bed

LVB (LB)



### Finishing - logo



GOLD

SOFA

# AGORÀ

Available in three- or four-seater versions, the Agorà sofa features deep cushions and generous proportions, upholstered in fabric or leather. A 3D Metal Medusa logo in polished Gold or chrome embellishes the armrest, set against a leather detail. Feet in wengé-stained wood complete the design.

➤ [SEE ON WEBSITE](#)



SOFA

# AGORÀ

## TECHNICAL SHEET

### FRAME

Wood padded with Polyurethane and Fiberfill.  
Armrest with 3D Metal Medusa logo in polished  
Gold or chrome finishing on leather application.  
Seat frame with intervoven elastic bands.

### SEAT CUSHION

Poliurethane, Fiberfill and feather.

### BACK CUSHION

Feather.

### COVER

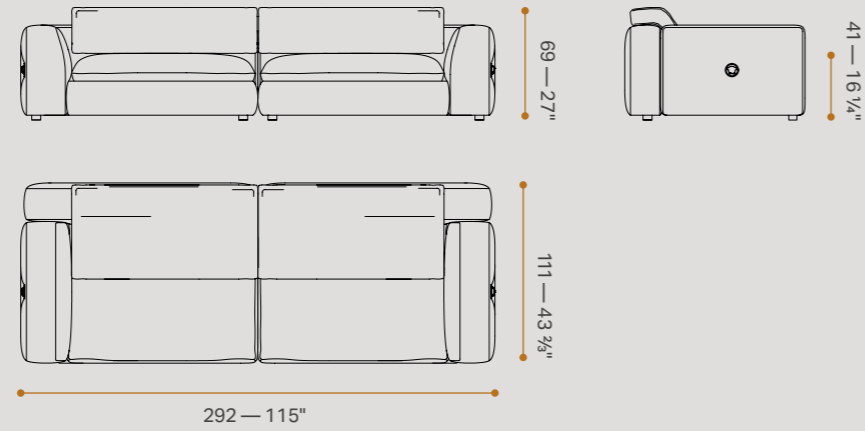
Not removable fabric or leather cover.  
Not available with institutional panel fabric.

### FEET

Wood wengé stained.

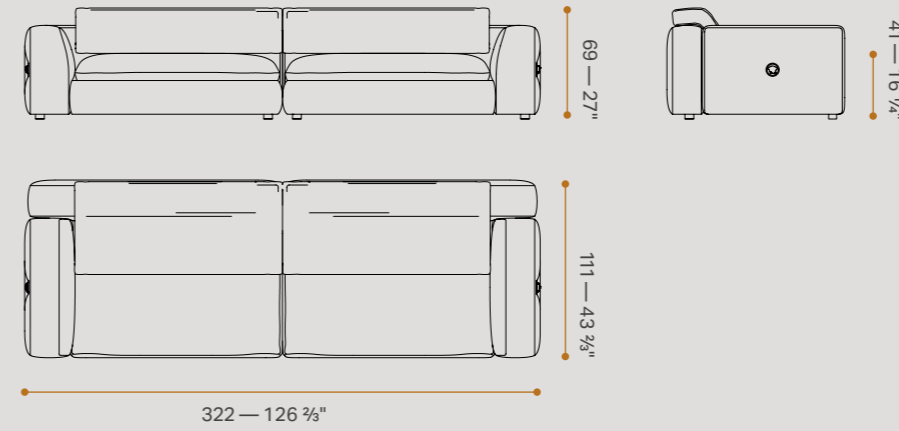
### 3 seater sofa

SOT (D3)

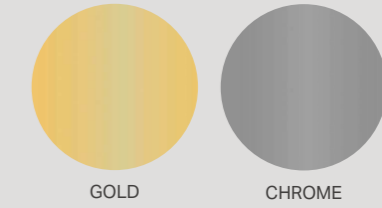


### 4 seater sofa

SOT (D4)



### Finishings - logo



SOFA

# DISCOVERY

The Discovery sofa by Versace Home features a contemporary herringbone pattern, reminiscent of the Versace V. The cushions serve both as backrests and comfortable throw pillows. The couch version also turns into a modern chaise-longue. This piece is available upholstered in leather or fabric.

➤ [SEE ON WEBSITE](#)



# DISCOVERY

## TECHNICAL SHEET

### FRAME

Wood padded with Polyurethane and Fiberfill.  
3D Metal Medusa logo with Light Gold finishing on the outer armrests.

### SEAT

Wood with interwoven elastic bands; padding in feather, Polyurethane and Fiberfill.

### BACK CUSHIONS

Polyurethane and feather.

### COVER

Not removable fabric or leather cover.  
Frame not available with institutional panel fabrics.

### FEET

Solid wood stained walnut, glossy finishing and metal details with Light Gold finishing.

### OPTIONAL

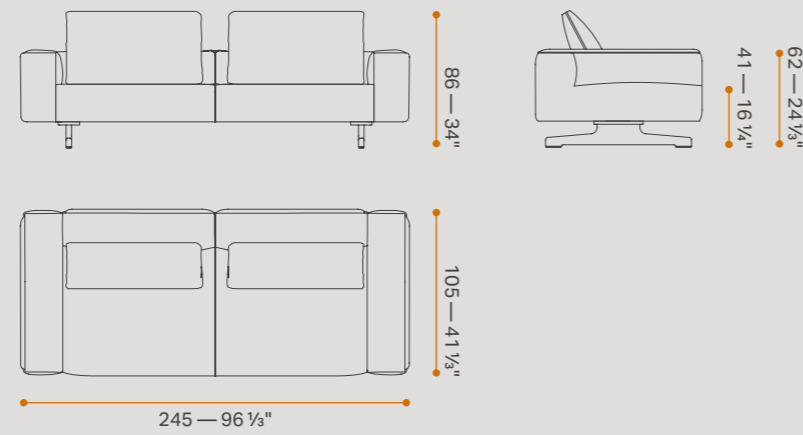
Cover padded with Oblique quilting, available on the back, on the seat and on the armrests (institutional fabrics not included).

### OPTIONAL CUSHION

Polyurethane and feather, with roll.

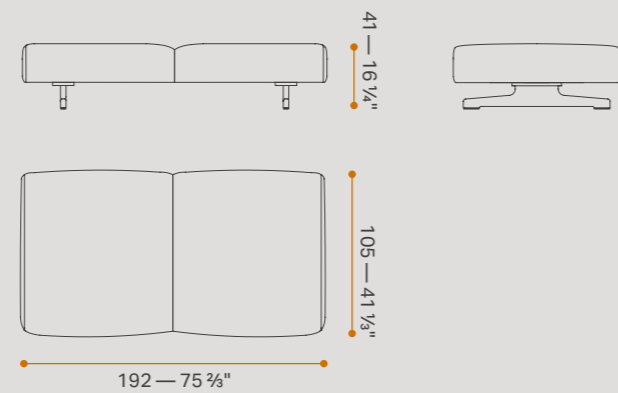
### 3 seater sofa

GEW (D3)



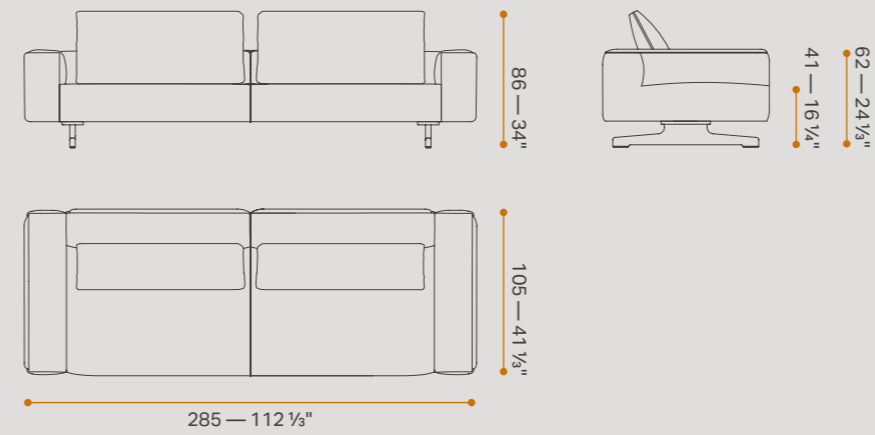
### Bench

GEW (PAN)



### 4 seater sofa

GEW (D4)



### Finishing - logo and feet



LIGHT GOLD

# DISCOVERY

## TECHNICAL SHEET

### FRAME

Wood padded with Polyurethane and Fiberfill.  
3D Metal Medusa logo with Light Gold finishing on the outer armrests.

### SEAT

Wood with interwoven elastic bands; padding in feather, Polyurethane and Fiberfill.

### BACK CUSHIONS

Polyurethane and feather.

### COVER

Not removable fabric or leather cover.  
Frame not available with institutional panel fabrics.

### FEET

Solid wood stained walnut, glossy finishing and metal details with Light Gold finishing.

### OPTIONAL

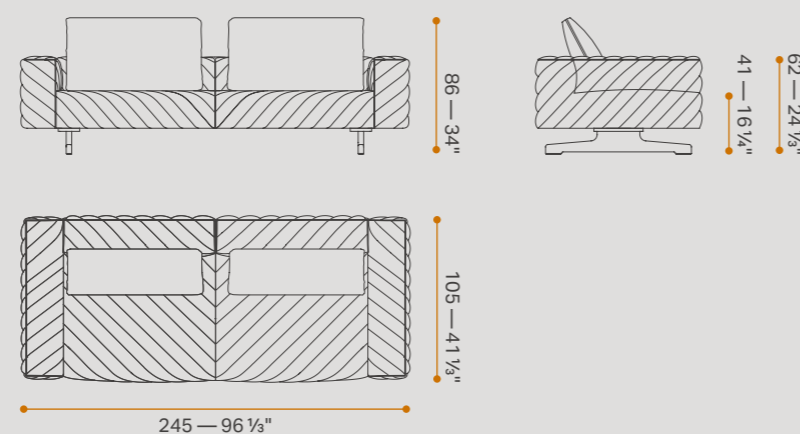
Cover padded with Oblique quilting, available on the back, on the seat and on the armrests (institutional fabrics not included).

### OPTIONAL CUSHION

Polyurethane and feather, with roll.

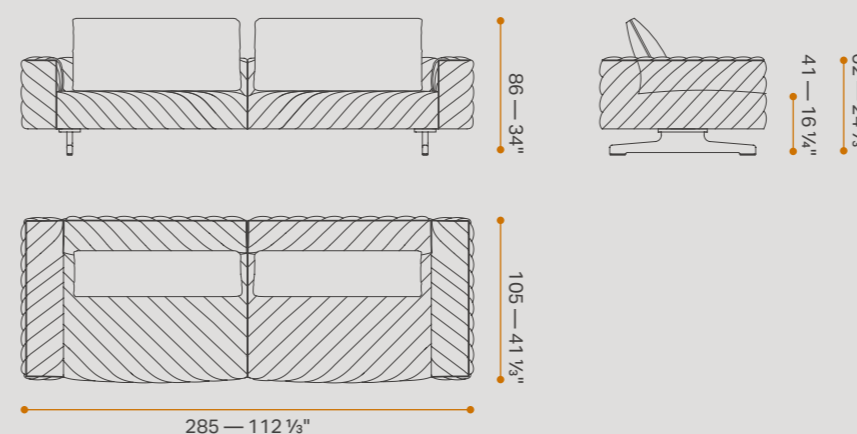
### 3 seater sofa with optional oblique quilting

GEW (D3)



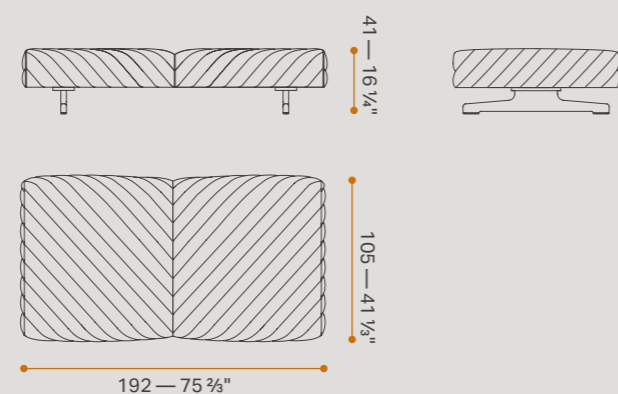
### 4 seater sofa with optional oblique quilting

GEW (D4)



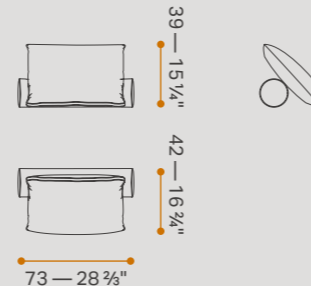
### Bench with optional oblique quilting

GEW (PAN)



### Optional cushion with roll

GEW (CUS)



### Finishing - logo and feet



LIGHT GOLD

SOFA

# DROP

The Drop sofa is defined by a harmony of organic form. Its sinuous seat invites relaxation and allows the piece to be placed at the center of a space. The sculptural legs, available in chrome, glossy gold, or matte bronze finishes, play with sharp angles to create an intriguing contrast with the sofa's curves, giving the illusion of a floating object.

[↗ SEE ON WEBSITE](#)



SOFA

# DROP

## TECHNICAL SHEET

### FRAME

Wood padded with Polyurethane and Fiberfill, seat frame with interwoven elastic bands.

### FEET

Wood and steel with polished Gold, polished chrome or Bronze finishing.  
Engraved logo on one foot only.

### COVER

Not removable fabric or leather cover.

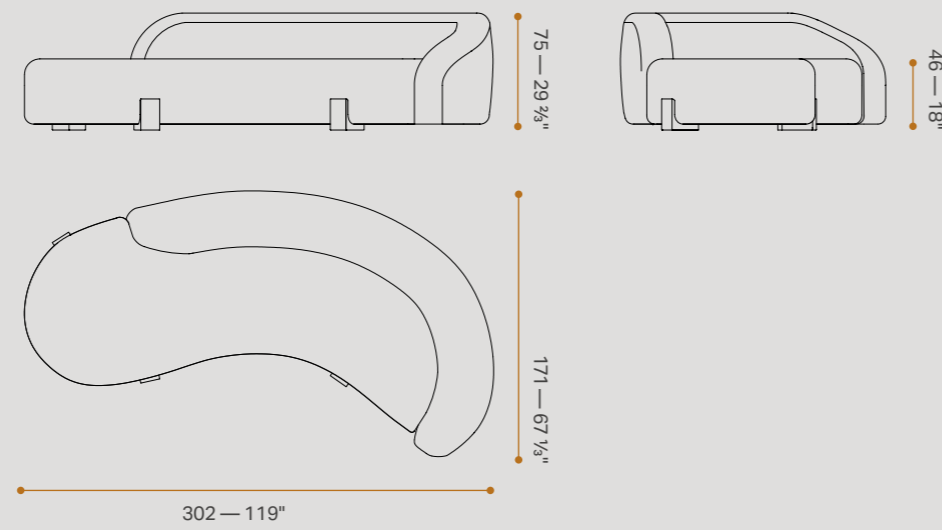
### OPTIONAL CUSHIONS

Cushions in feather 50×50 and 60×60 with removable cover.

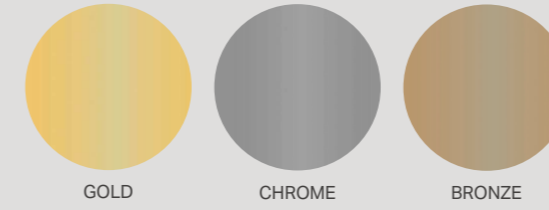
### Right or left peninsula

BNA (PEND) - BNA (PENS)

Drawing: right element



### Finishings - feet

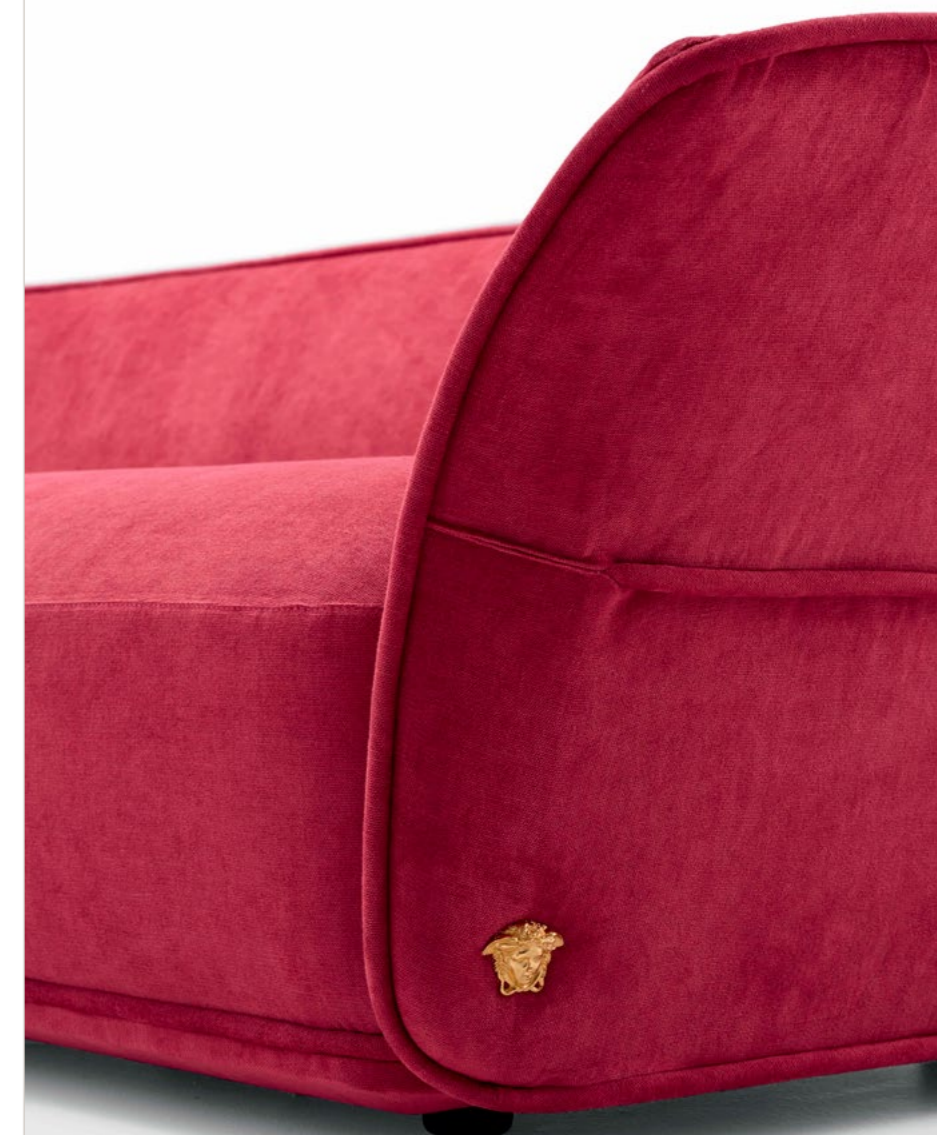


SOFA

# GODDESS

Marked by its contemporary appeal, the Goddess armchair by Versace home boasts curves that reference the silhouette of iconic leather jackets.

[↗ SEE ON WEBSITE](#)



# GODDESS

## TECHNICAL SHEET

N.B. THE SECTIONAL ELEMENTS ARE ALSO AVAILABLE AS SINGLE ELEMENT.

### FRAME

Wood and composite material padded with Polyurethane and Fiberfill.  
Shaped and flexible armrest end part.  
3D Metal Medusa logo with polished Gold, polished chrome or gun-metal grey finishing.

### SEAT

Polyurethane and Fiberfill.

### COVER

Not removable fabric or leather cover, with coordinated piping (with thick fabric, the piping is made with coordinated satin).

### BASE

Wood covered in the same fabric or leather of the seat cover.

### FEET

Wood wengé stained.

### OPTIONAL CUSHIONS

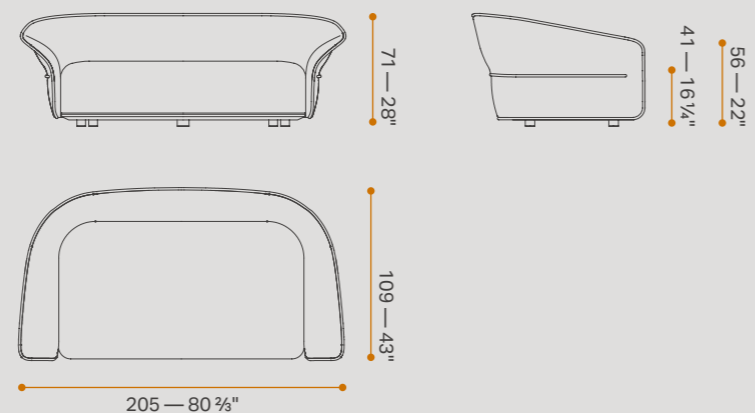
Cushions in feather 50×50 and 60×60 with removable cover. Codes VCU (04) - VCU (03).

### OPTIONAL BACK CUSHION

Back cushion in mixed feather 60×60 with removable cover. Code NAT (CUS/OPT).

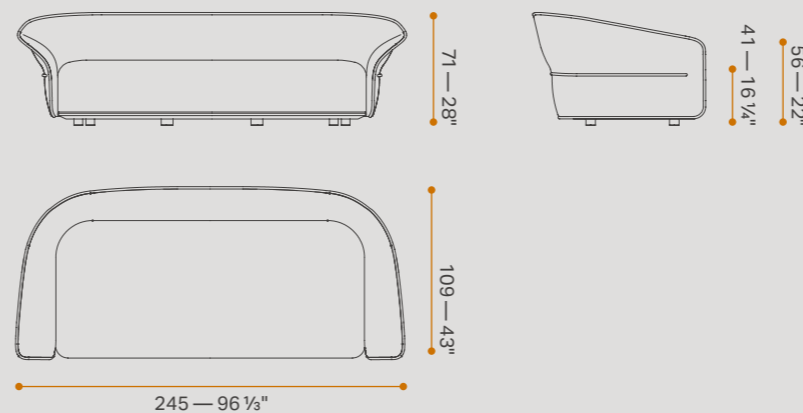
### 2 seater sofa

NAT (D2)

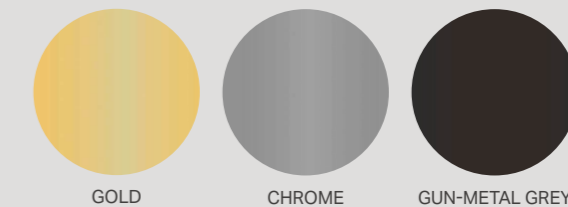


### 3 seater sofa

NAT (D3)

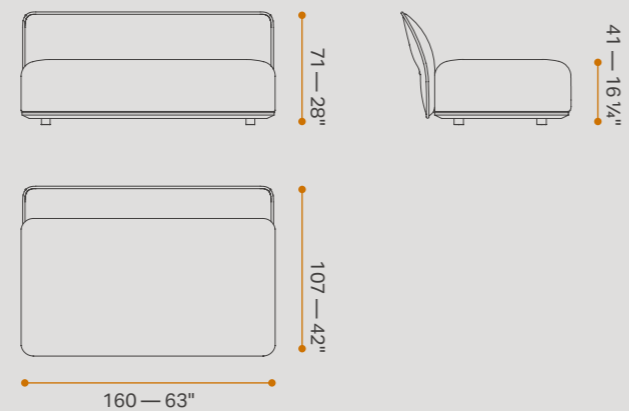


### Finishings - logo



### Central element

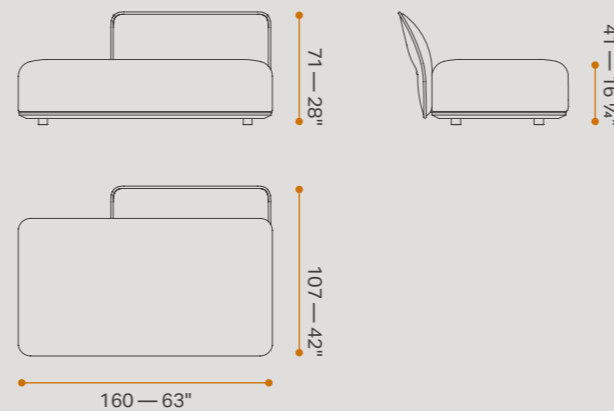
NAT (EC)



### Seat element with right or left back

NAT (ECD) - NAT (ECS)

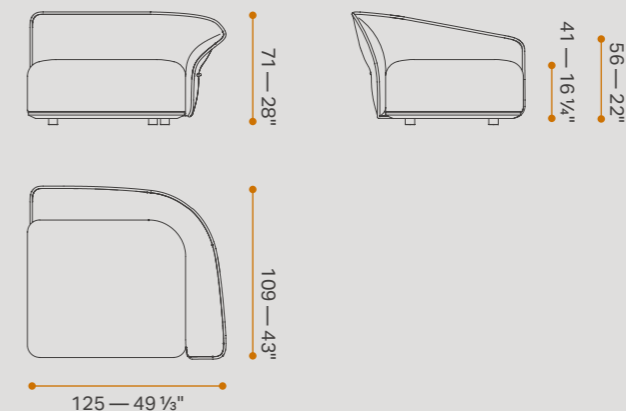
Drawing: right element



### Big element with right or left armrest

NAT (EDG) - NAT (ESG)

Drawing: right element



# GODDESS

## TECHNICAL SHEET

**N.B.** THE SECTIONAL ELEMENTS ARE ALSO AVAILABLE AS SINGLE ELEMENT.

### FRAME

Wood and composite material padded with Polyurethane and Fiberfill.  
Shaped and flexible armrest end part.  
3D Metal Medusa logo with polished Gold, polished chrome or gun-metal grey finishing.

### SEAT

Polyurethane and Fiberfill.

### COVER

Not removable fabric or leather cover, with coordinated piping (with thick fabric, the piping is made with coordinated satin).

### BASE

Wood covered in the same fabric or leather of the seat cover.

### FEET

Wood wengé stained.

### OPTIONAL CUSHIONS

Cushions in feather 50×50 and 60×60 with removable cover. Codes VCU (04) - VCU (03).

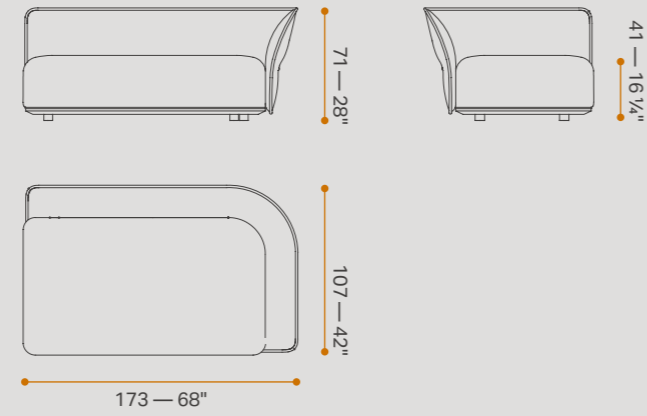
### OPTIONAL BACK CUSHION

Back cushion in mixed feather 60×60 with removable cover. Code NAT (CUS/OPT).

### Right or left corner element

NAT (ANGD) - NAT (ANGS)

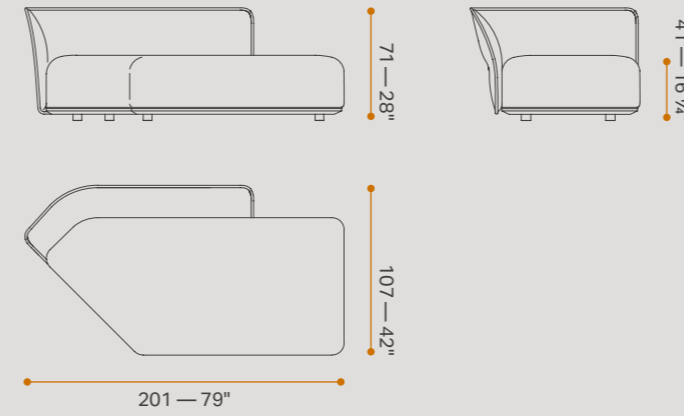
*Drawing: right element*



### Diagonal right or left element

NAT (CLANGD) - NAT (CLANGS)

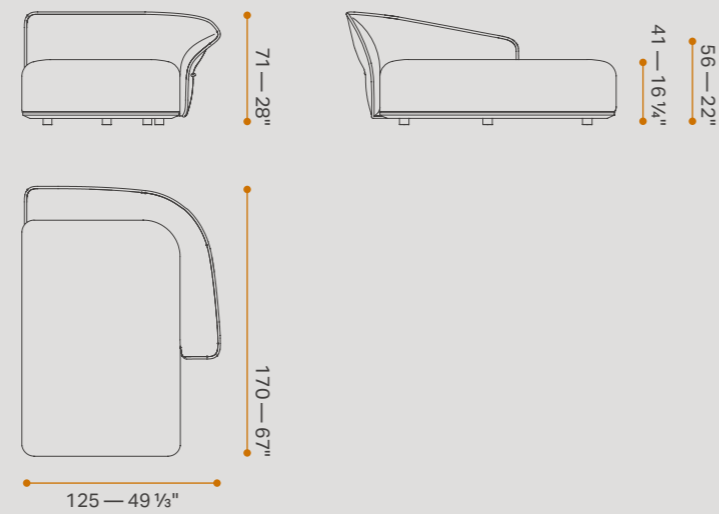
*Drawing: right element*



### Right or left chaise longue

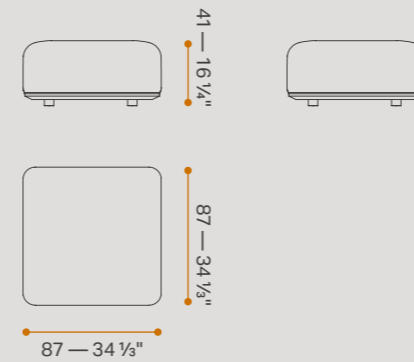
NAT (CLD) - NAT (CLS)

*Drawing: right element*



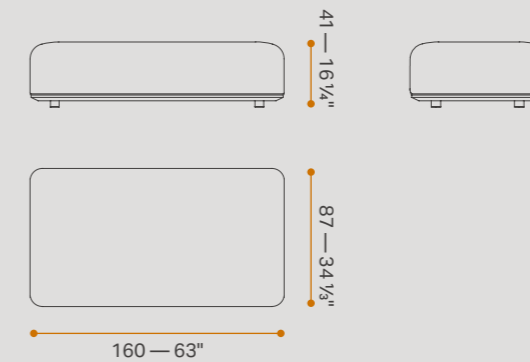
### Ottoman

NAT (POUP)

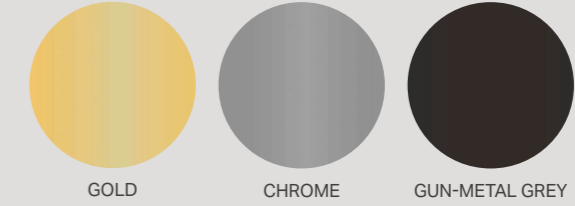


### Big ottoman

NAT (POUG)



### Finishings - logo



GOLD

CHROME

GUN-METAL GREY

# GODDESS

## TECHNICAL SHEET

**N.B.** THE SECTIONAL ELEMENTS ARE ALSO AVAILABLE AS SINGLE ELEMENT.

### FRAME

Wood and composite material padded with Polyurethane and Fiberfill.  
Shaped and flexible armrest end part.  
3D Metal Medusa logo with polished Gold, polished chrome or gun-metal grey finishing.

### SEAT

Polyurethane and Fiberfill.

### COVER

Not removable fabric or leather cover, with coordinated piping (with thick fabric, the piping is made with coordinated satin).

### BASE

Wood covered in the same fabric or leather of the seat cover.

### FEET

Wood wengé stained.

### OPTIONAL CUSHIONS

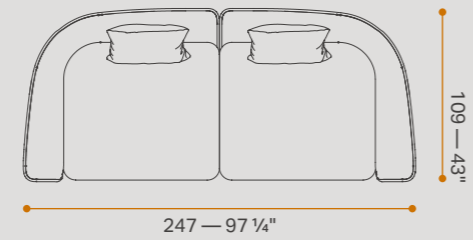
Cushions in feather 50×50 and 60×60 with removable cover. Codes VCU (04) - VCU (03).

### OPTIONAL BACK CUSHION

Back cushion in mixed feather 60×60 with removable cover. Code NAT (CUS/OPT).

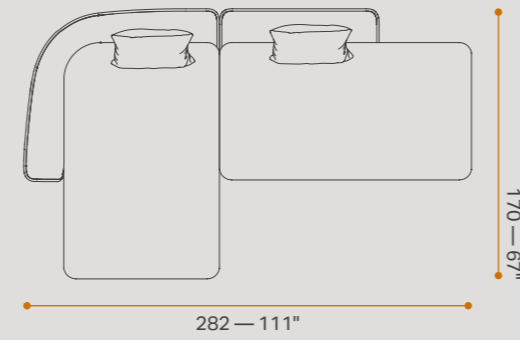
### Examples of sectional sofa with optional cushions

NAT (ESG) + NAT (EDG)



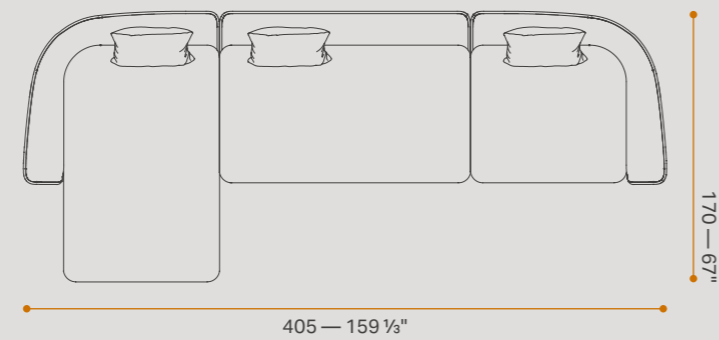
### Examples of sectional sofa with optional cushions

NAT (CLS) + NAT (ECS)



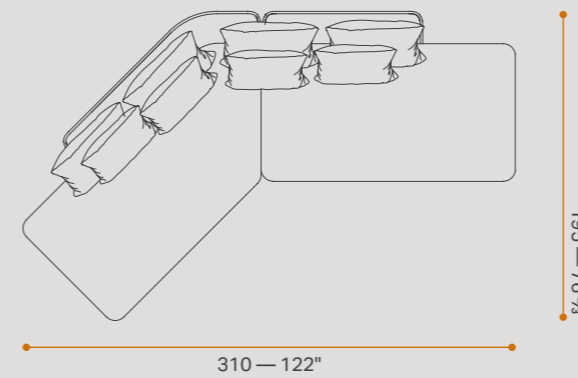
### Examples of sectional sofa with optional cushions

NAT (CLS) + NAT (EC) + NAT (EDG)

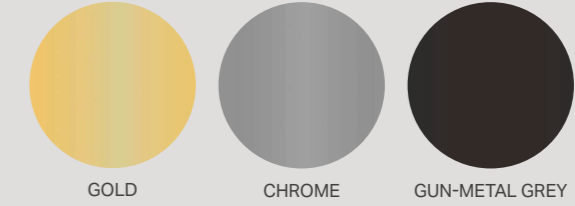


### Examples of sectional sofa with optional cushions

NAT (CLANGS) + NAT (ECS)



### Finishings - logo



GOLD

CHROME

GUN-METAL GREY

# GODDESS

## TECHNICAL SHEET

**N.B.** THE SECTIONAL ELEMENTS ARE ALSO AVAILABLE AS SINGLE ELEMENT.

### FRAME

Wood and composite material padded with Polyurethane and Fiberfill.  
Shaped and flexible armrest end part.  
3D Metal Medusa logo with polished Gold, polished chrome or gun-metal grey finishing.

### SEAT

Polyurethane and Fiberfill.

### COVER

Not removable fabric or leather cover, with coordinated piping (with thick fabric, the piping is made with coordinated satin).

### BASE

Wood covered in the same fabric or leather of the seat cover.

### FEET

Wood wengé stained.

### OPTIONAL CUSHIONS

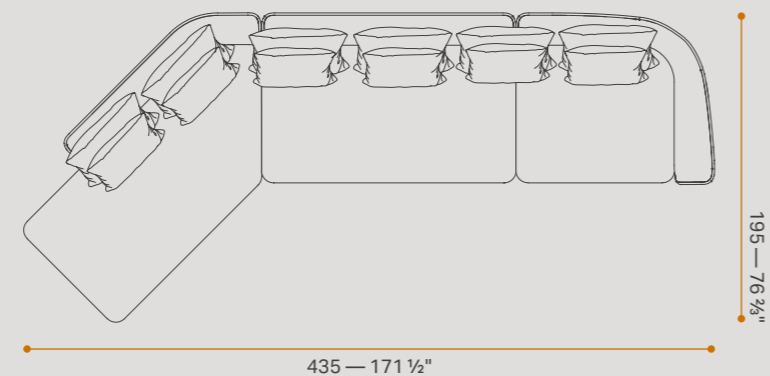
Cushions in feather 50×50 and 60×60 with removable cover. Codes VCU (04) - VCU (03).

### OPTIONAL BACK CUSHION

Back cushion in mixed feather 60×60 with removable cover. Code NAT (CUS/OPT).

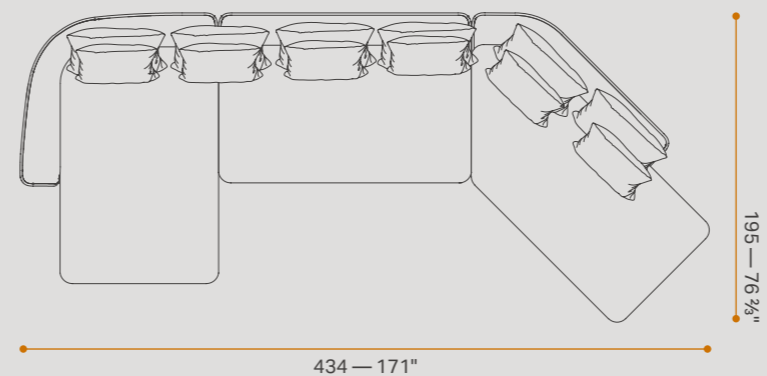
### Examples of sectional sofa with optional cushions

NAT (CLANGS) + NAT (EC) + NAT (EDG)



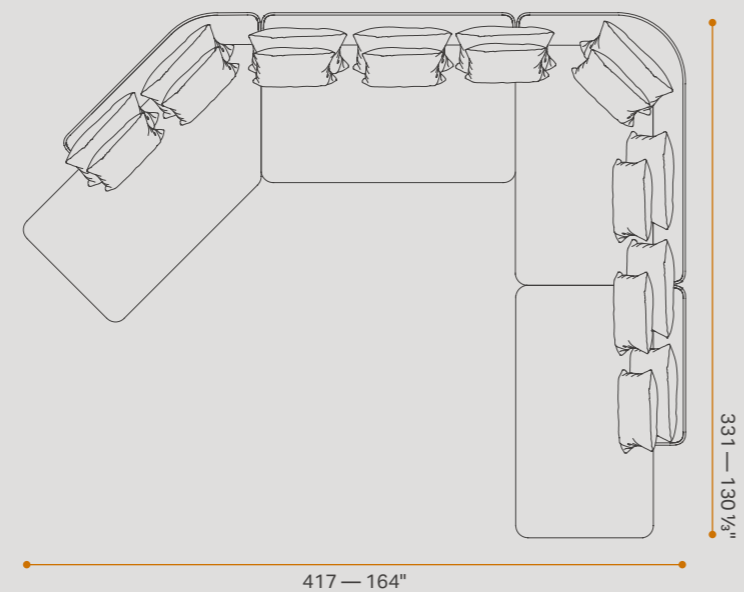
### Examples of sectional sofa with optional cushions

NAT (CLS) + NAT (EC) + NAT (CLANGD)

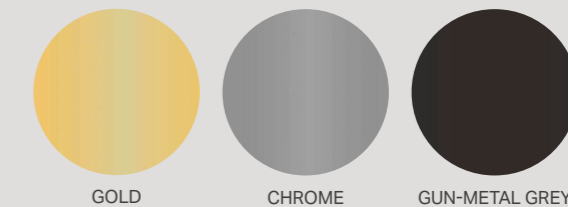


### Examples of sectional sofa with optional cushions

NAT (CLANGS) + NAT (EC) + NAT (ANGS) + NAT (ECS)



### Finishings - logo



GOLD

CHROME

GUN-METAL GREY

SOFA

# ICONIC

Designed to create linear or curved compositions, the modular Iconic sofa is also available as a three or four seater, featuring armrests that appear to hover above the frame. The seat base is embellished with a polished metal element, a functional solution that enhances the aesthetic design, while providing support.

➤ [SEE ON WEBSITE](#)



# ICONIC

## TECHNICAL SHEET

N.B. THE SECTIONAL ELEMENTS ARE ALSO AVAILABLE AS SINGLE ELEMENT.

### FRAME

Wood padded with Polyurethane and Fiberfill, seat frame with interwoven elastic bands.

### ARMREST

Metal frame with polished chrome or polished Gold finishing, with coordinated Medusa logo. Upper part in wood padded with Polyurethane and Fiberfill.

### COVER

Not removable fabric or leather cover.

### FEET

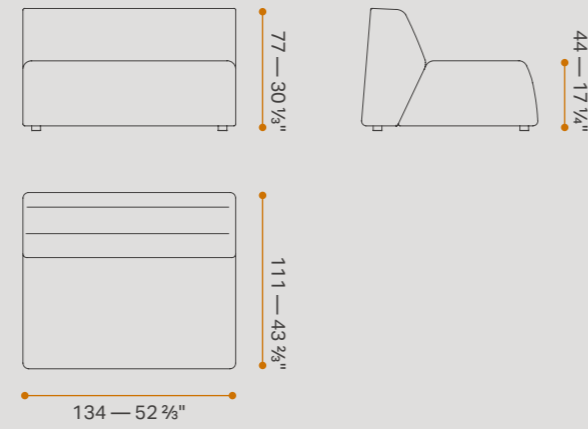
Wood wengé stained.

### OPTIONAL CUSHION

Back cushion 50x50 in feather with removable cover and band.

### Big central element

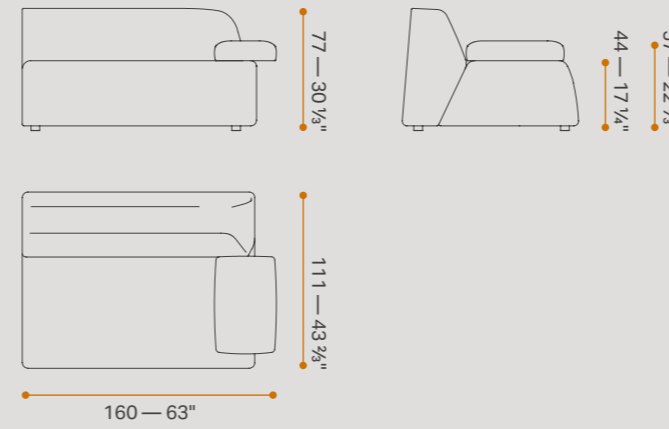
1V1 (ECG)



### Maxi element with right or left armrest

1V1 (E1XD) - 1V1 (E1XS)

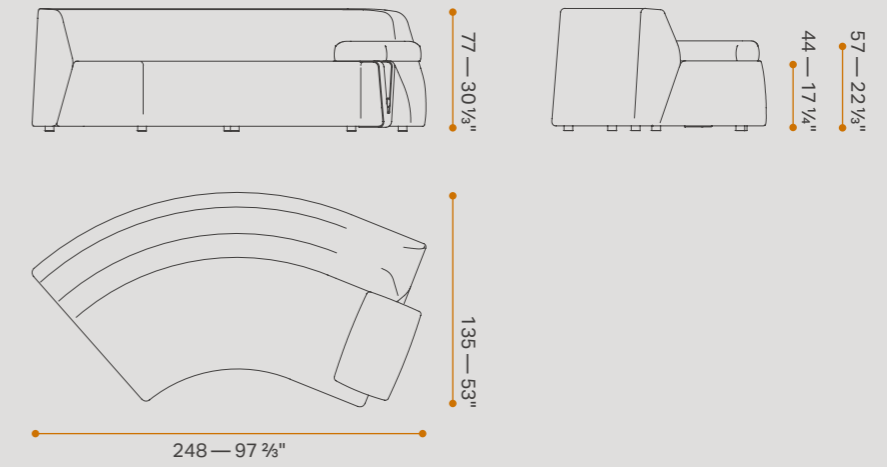
Drawing: right element



### Curved element with right or left armrest

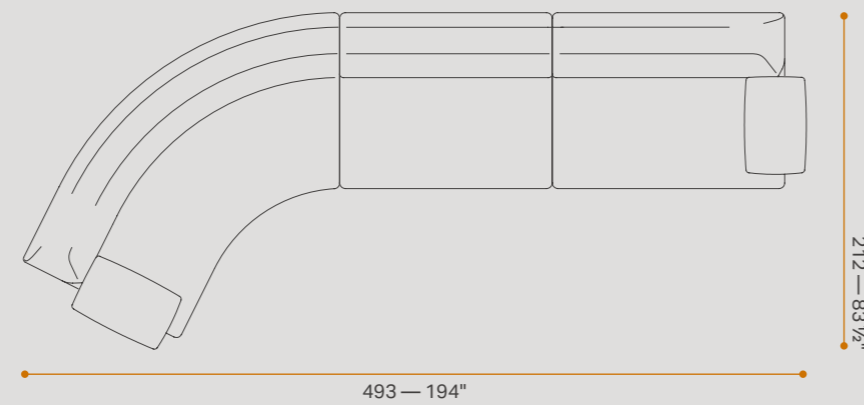
1V1 (EDC) - 1V1 (ESC)

Drawing: right element



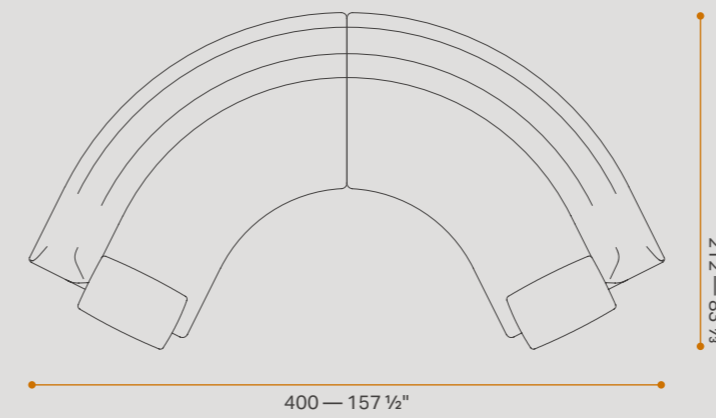
### Example of sectional sofa

1V1 (ESC) + 1V1 (ECG) + 1V1 (E1XD)



### Example of sectional sofa

1V1 (ESC) + 1V1 (EDC)



### Example of sectional sofa

1V1 (E1XS) + 1V1 (E1XD)



### Finishings - armrest



CHROME



GOLD

SOFA

# LA GRECA

The Versace brand codes are reimagined for the home, with an aesthetic non-conformism and interplay of classicism with contemporary seduction that is distinctly Versace. The modular La Greca sofa is covered in fabric or leather, embellished with the La Greca logo, in polished Gold finishing.

➤ [SEE ON WEBSITE](#)



# LA GRECA

## TECHNICAL SHEET

**N.B.** THE SECTIONAL ELEMENTS ARE ALSO AVAILABLE AS SINGLE ELEMENT.

### FRAME

Steel and wood padded with Polyurethane and Fiberfill.

La Greca logo with polished Gold finishing.

### SEAT CUSHION

Polyurethane and Fiberfill.

### COVER

Not removable fabric or leather cover.

Cushions with removable cover.

### FEET

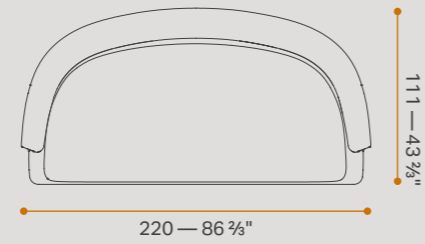
Wood wengé stained.

### OPTIONAL CUSHIONS

Back cushions 50×50 and 60×60 in down feather, with band or with band and La Greca logo with polished Gold finishing.

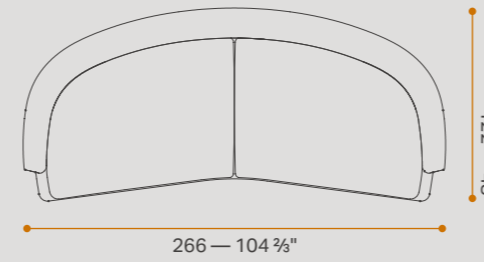
### 3 seater sofa

JCK (D3)



### 4 seater sofa

JCK (D4)



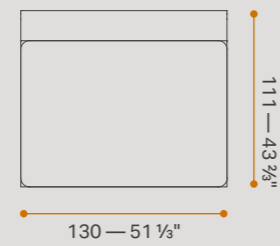
### Finishing - logo



GOLD

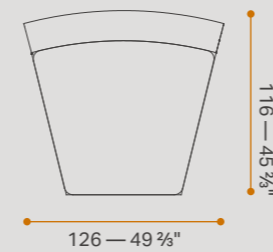
### Central element

JCK (E1CN1)



### Curved central element

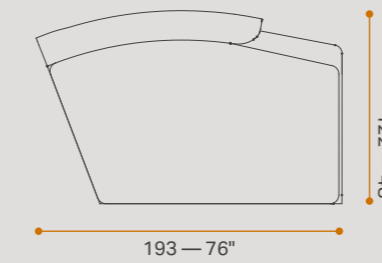
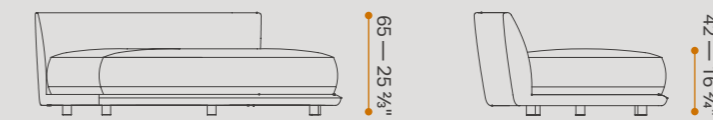
JCK (E1CN)



### Right or left element

JCK (EDX) - JCK (ESX)

*Drawing: right element*



# LA GRECA

## TECHNICAL SHEET

**N.B.** THE SECTIONAL ELEMENTS ARE ALSO AVAILABLE AS SINGLE ELEMENT.

### FRAME

Steel and wood padded with Polyurethane and Fiberfill.

La Greca logo with polished Gold finishing.

### SEAT CUSHION

Polyurethane and Fiberfill.

### COVER

Not removable fabric or leather cover.

Cushions with removable cover.

### FEET

Wood wengé stained.

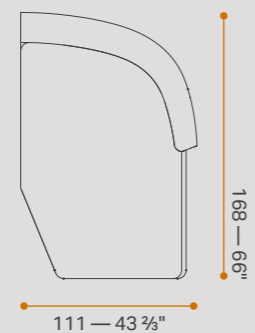
### OPTIONAL CUSHIONS

Back cushions 50×50 and 60×60 in down feather, with band or with band and La Greca logo with polished Gold finishing.

### Right or left chaise longue

JCK (CLD) - JCK (CLS)

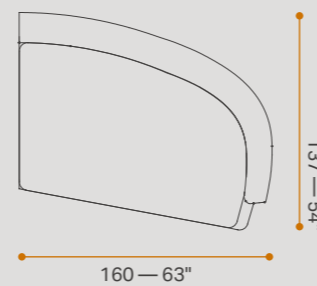
*Drawing: right element*



### Element with right or left armrest

JCK (EBDX) - JCK (EBSX)

*Drawing: right element*



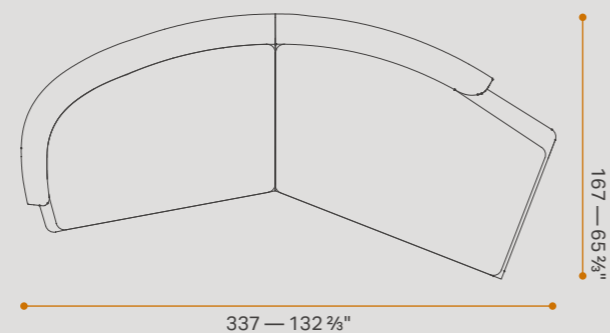
### Finishing - logo



GOLD

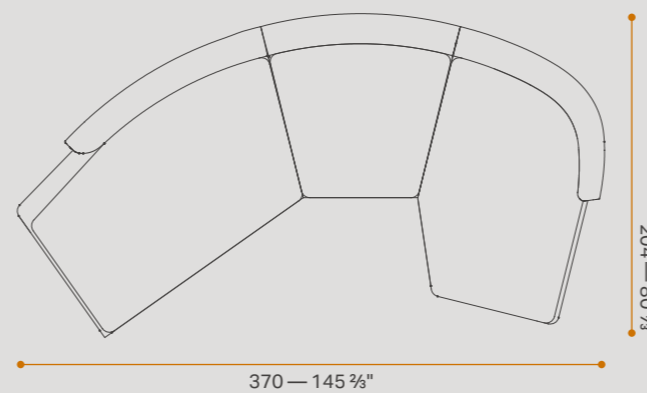
### Example of sectional sofa

JCK (EBSX) + JCK (EDX)



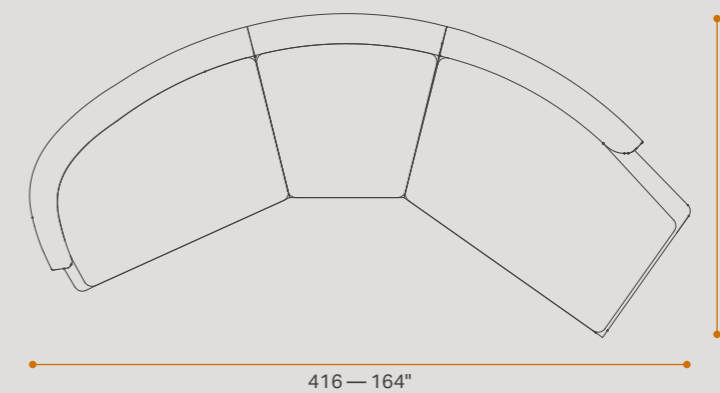
### Example of sectional sofa

CK (ESX) + JCK (E1CN) + JCK (CLD)



### Example of sectional sofa

JCK (EBSX) + JCK (E1CN) + JCK (EDX)



SOFA

# LA MEDUSA

An undisputed icon, the La Medusa melds a modern and youthful design and tailoring with beautifully detailed stitching. The sofa is covered in leather with 3D Metal Medusa logo and polished Gold finishing.

[➤ SEE ON WEBSITE](#)



SOFA

# LA MEDUSA

## TECHNICAL SHEET

### FRAME

Wood padded with Polyurethane and Fiberfill.  
Quilting padded with Polyester fibre.  
Stitched leather application with 3D Metal Medusa logo with polished Gold finishing.

### COVER

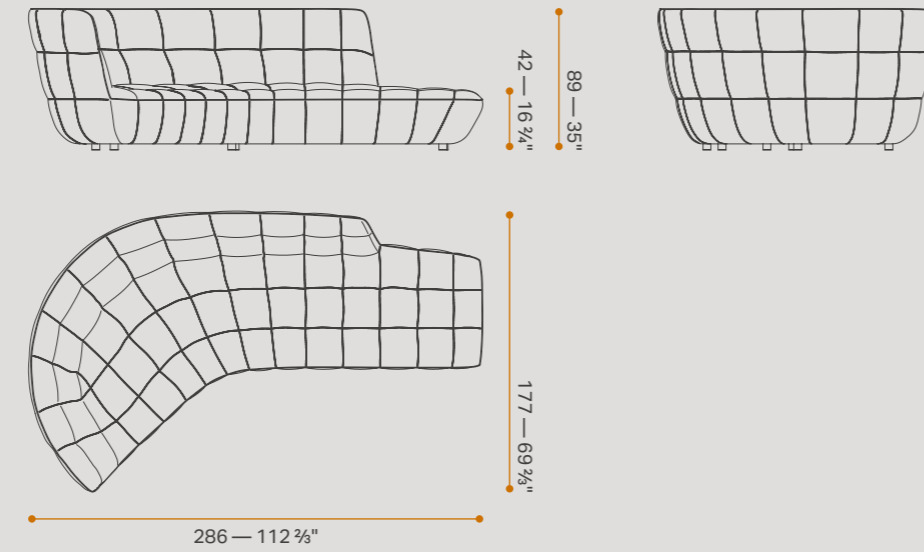
Not removable leather.

### FEET

Wood wengé stained.

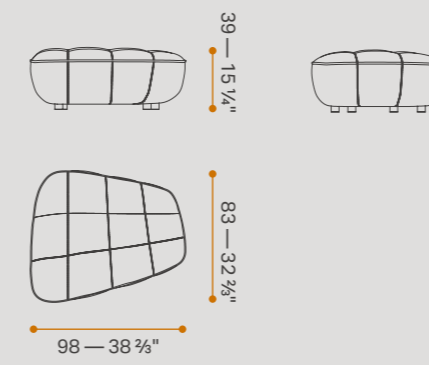
### 4 seater sofa

NIO (D4)



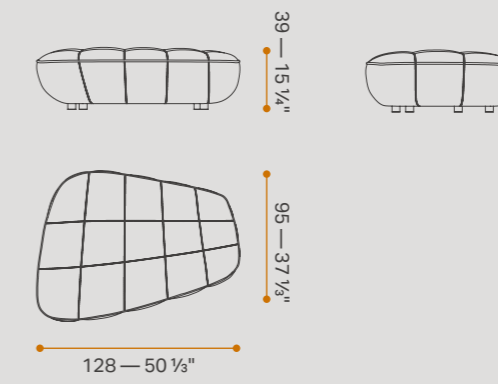
### Ottoman

NIO (POUP)



### Big ottoman

NIO (POUG)



### Finishing - logo



GOLD

SOFA

# MEDUSA '95

Medusa '95 is a new take on a version of the House's signature Medusa that first debuted in the Versace Spring-Summer 1995 collection. It features the Medusa elevated between Grecian metal details and features here across a full selection of homeware.

The Medusa '95 sectional sofa is composed by elements with a large proportion enriched by a play of cushions placed in an apparent random manner but supported by small roller cushions. Conversation sofa also available for outdoor version.

➤ [SEE ON WEBSITE](#)



# MEDUSA '95

## TECHNICAL SHEET

**N.B.** THE SECTIONAL ELEMENTS ARE ALSO AVAILABLE AS SINGLE ELEMENT.

### FRAME

Wood padded with Polyurethane, Fiberfill and feather, wooden seat frame with interwoven elastic bands padded with Polyurethane, Fiberfill and feather.

Frame base with leather belt and Icon big logo with belt loop, polished Gold, polished chrome or Bronze finishing.

### COVER

Not removable fabric or leather, not available with institutional panel fabrics.

Leather belt on the frame.

### FEET / BASE

Ottoman ZIP (POU) with metal base, polished Gold, polished chrome or Bronze finishing.

Seat elements and ottoman ZIP (POUP) and ZIP (POUG) with wooden feet, wengé stained.

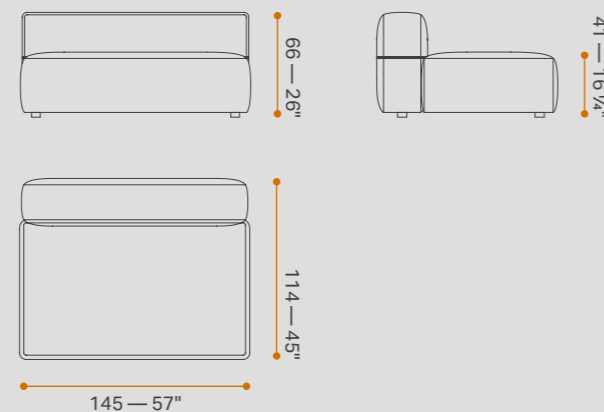
### OPTIONAL CUSHIONS

Back cushion 60x60 in feather with roll in Polyurethane and Fiberfill, removable fabric or leather cover with leather band and optional Metal logo, coordinated finishing.

Back cushion 50x50 and 60x60 in feather, removable fabric or leather cover with leather band, optional Metal logo with coordinated finishing.

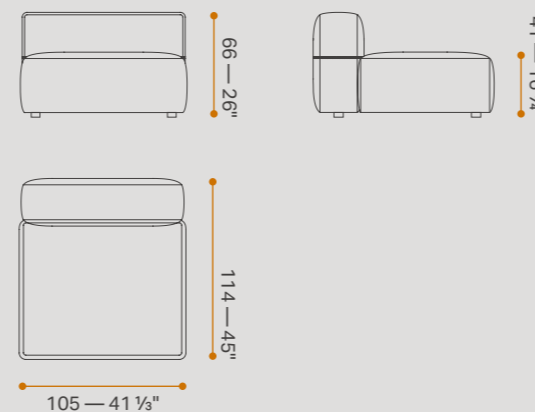
### Maxi central element

ZIP (ECX)



### Medium central element

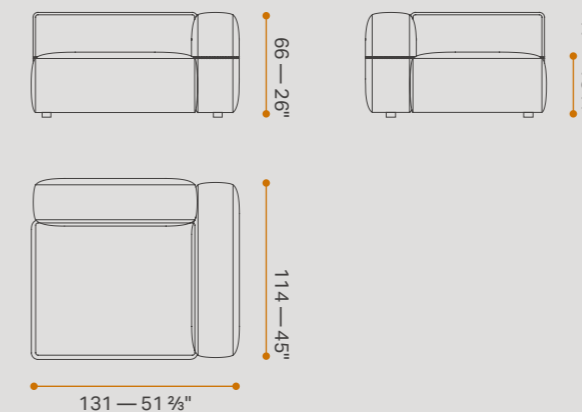
ZIP (ECM)



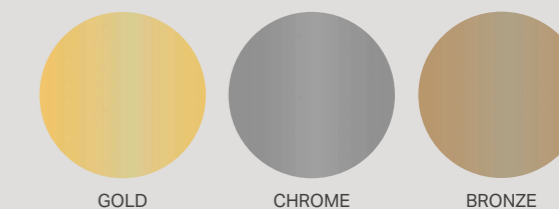
### Medium seat element with right or left armrest

ZIP (EDM) - ZIP (ESM)

*Drawing: right element*



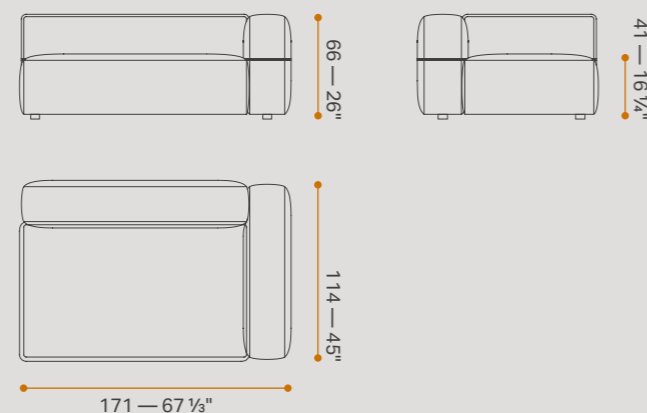
### Finishings - base ottoman and logo



### Maxi seat element with right or left armrest

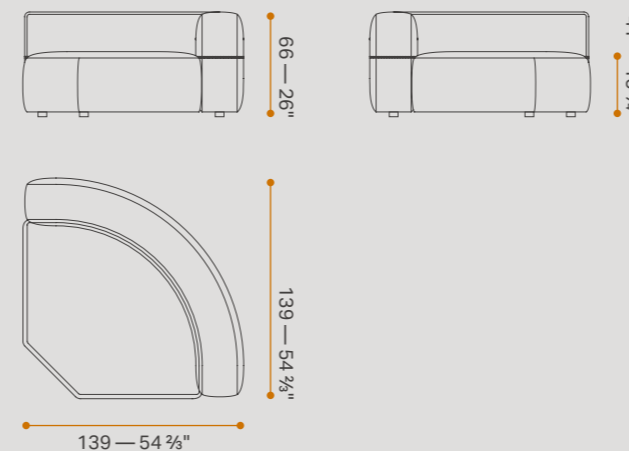
ZIP (EDX) - ZIP (ESX)

*Drawing: right element*



### Curved corner element

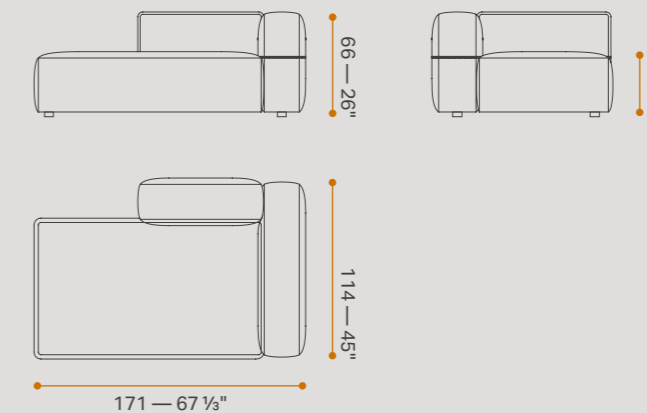
ZIP (ANGC)



### Right or left right or left peninsula element

ZIP (PEND) - ZIP (PENS)

*Drawing: right element*



# MEDUSA '95

## TECHNICAL SHEET

**N.B.** THE SECTIONAL ELEMENTS ARE ALSO AVAILABLE AS SINGLE ELEMENT.

### FRAME

Wood padded with Polyurethane, Fiberfill and feather, wooden seat frame with interwoven elastic bands padded with Polyurethane, Fiberfill and feather.

Frame base with leather belt and Icon big logo with belt loop, polished Gold, polished chrome or Bronze finishing.

### COVER

Not removable fabric or leather, not available with institutional panel fabrics.

Leather belt on the frame.

### FEET / BASE

Ottoman ZIP (POU) with metal base, polished Gold, polished chrome or Bronze finishing.

Seat elements and ottoman ZIP (POUP) and ZIP (POUG) with wooden feet, wengé stained.

### OPTIONAL CUSHIONS

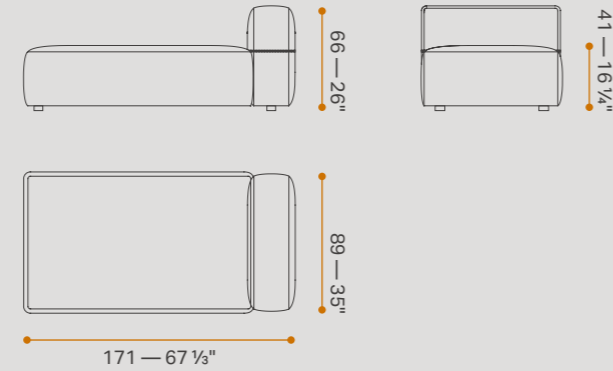
Back cushion 60x60 in feather with roll in Polyurethane and Fiberfill, removable fabric or leather cover with leather band and optional Metal logo, coordinated finishing.

Back cushion 50x50 and 60x60 in feather, removable fabric or leather cover with leather band, optional Metal logo with coordinated finishing.

### Right or left right or left peninsula element

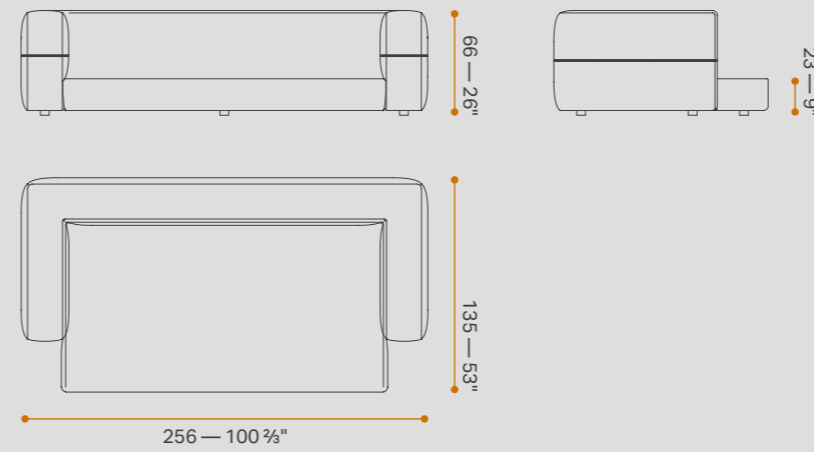
ZIP (DBD) - ZIP (DBS)

*Drawing: right element*



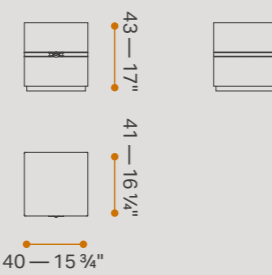
### Conversation sofa frame (without seat cushion)

ZIP (SWIA)



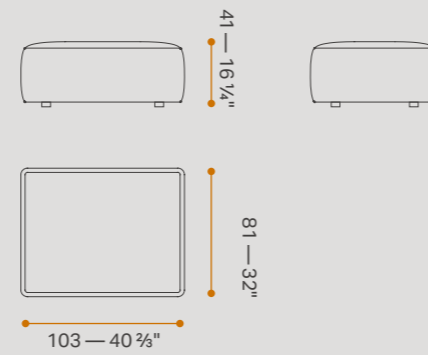
### Ottoman

ZIP (POU)



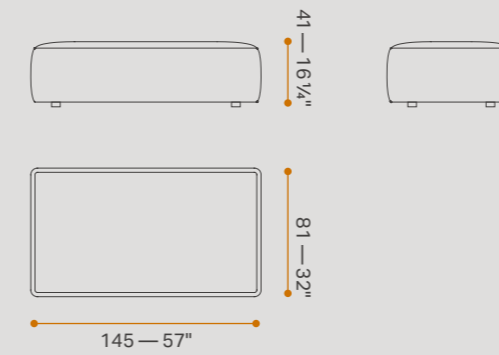
### Small rectangular ottoman

ZIP (POUP)

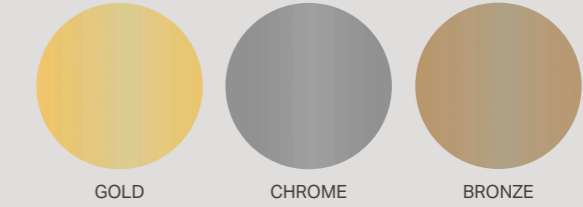


### Big rectangular ottoman

ZIP (POUG)



### Finishings - base ottoman and logo



# MEDUSA '95

## TECHNICAL SHEET

**N.B.** THE SECTIONAL ELEMENTS ARE ALSO AVAILABLE AS SINGLE ELEMENT.

### FRAME

Wood padded with Polyurethane, Fiberfill and feather, wooden seat frame with interwoven elastic bands padded with Polyurethane, Fiberfill and feather.  
 Frame base with leather belt and Icon big logo with belt loop, polished Gold, polished chrome or Bronze finishing.

### COVER

Not removable fabric or leather, not available with institutional panel fabrics.  
 Leather belt on the frame.

### FEET / BASE

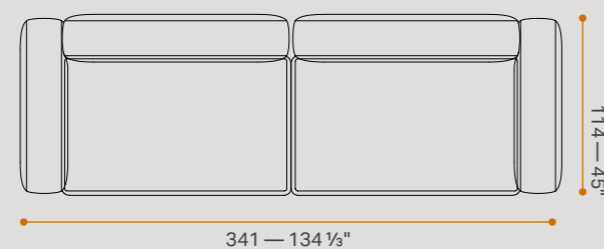
Ottoman ZIP (POU) with metal base, polished Gold, polished chrome or Bronze finishing.  
 Seat elements and ottoman ZIP (POUP) and ZIP (POUG) with wooden feet, wengé stained.

### OPTIONAL CUSHIONS

Back cushion 60x60 in feather with roll in Polyurethane and Fiberfill, removable fabric or leather cover with leather band and optional Metal logo, coordinated finishing.  
 Back cushion 50x50 and 60x60 in feather, removable fabric or leather cover with leather band, optional Metal logo with coordinated finishing.

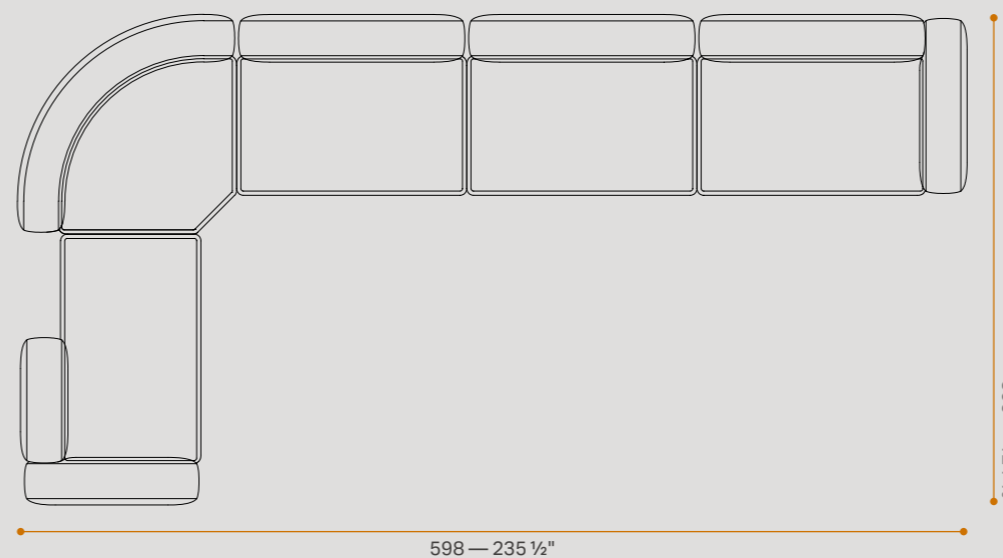
### Example of sectional sofa

ZIP (ESX) + ZIP (EDX)



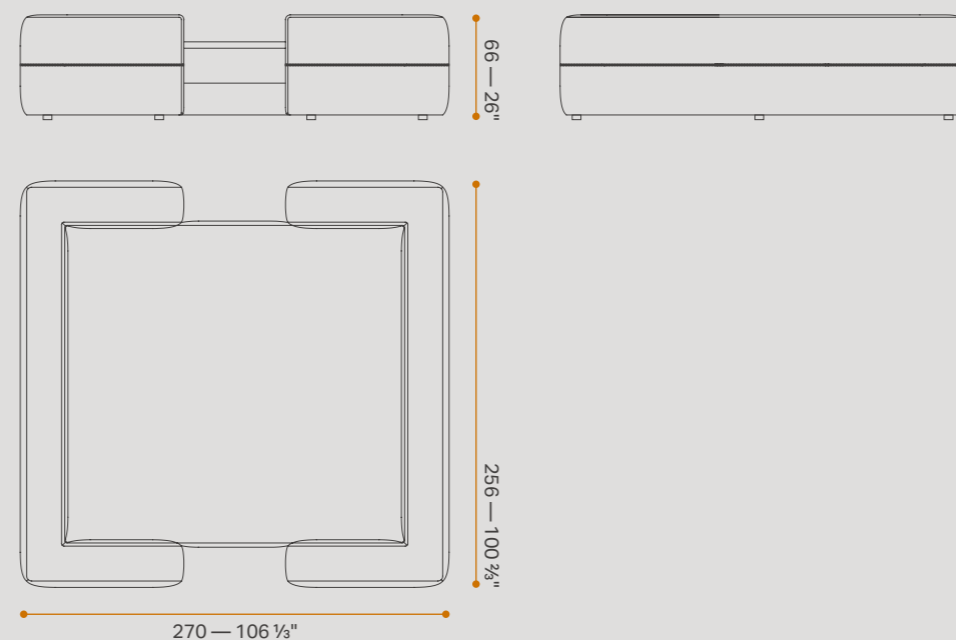
### Example of sectional sofa

ZIP (PENS) + ZIP (ANGC) + ZIP (ECX) + ZIP (ECX) + ZIP (EDX)

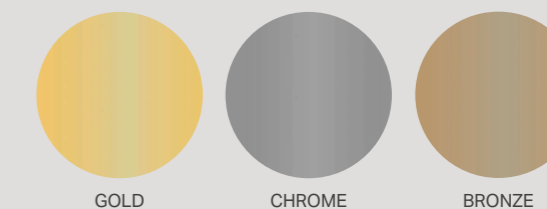


### Example of sectional sofa

ZIP (SWIA) + ZIP (SWIA/CUS2) + ZIP (SWIA)



### Finishings - base ottoman and logo



GOLD

CHROME

BRONZE

SOFA

# MEDUSA TRONO

An undisputed icon, the Medusa Trono sofa by Versace Home mixes a modern and youthful design and tailoring with beautifully detailed stitching.

➤ [SEE ON WEBSITE](#)



SOFA

# MEDUSA TRONO

## TECHNICAL SHEET

### FRAME

Curved wood and solid wood padded with Polyurethane and Fiberfill.

### SEAT CUSHIONS

Polyurethane and Fiberfill.

### BACK CUSHIONS

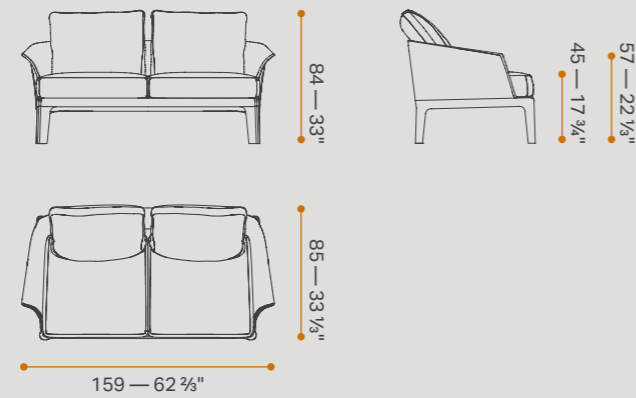
Polyurethane and feather.

### COVER

Frame with not removable leather cover, decorative metal zipper and metal Medusa logo with polished Gold or polished chrome finishing. Cushions with not removable fabric or leather cover with coordinated piping.

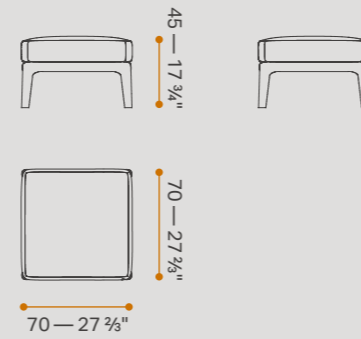
### 2 seater sofa

SOC (D2)



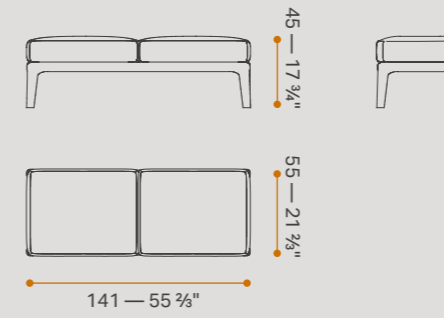
### Ottoman

SOC (POU1)

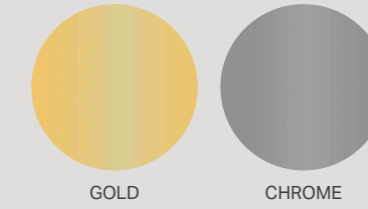


### Big ottoman

SOC (POU2)



### Finishings - logo



SOFA

# PALACE

Defined by its generous volumes and confident geometry, the Palace sofa embodies the distinctive Versace Home attitude. Available in three- or four-seater versions, its silhouette features a structural backrest that flows seamlessly into the arms, creating a strong architectural profile. The bold lines are softened by refined curves, while the polished base and two gold medallions with the 3D Metal Medusa logo emphasize its iconic character. Finishes include polished Gold, polished chrome, or Bronze.

[SEE ON WEBSITE](#)



# PALACE

## TECHNICAL SHEET

### FRAME

Wood padded with Polyurethane and Fiberfill.  
Armrest with 3D Metal Medusa logo, polished Gold, polished chrome or Bronze finishing.  
Seat frame with interwoven elastic bands.

### SEAT CUSHIONS

Polyurethane and Fiberfill.

### COVER

Not removable fabric or leather cover.  
Not available with institutional panel fabric.

### BASE

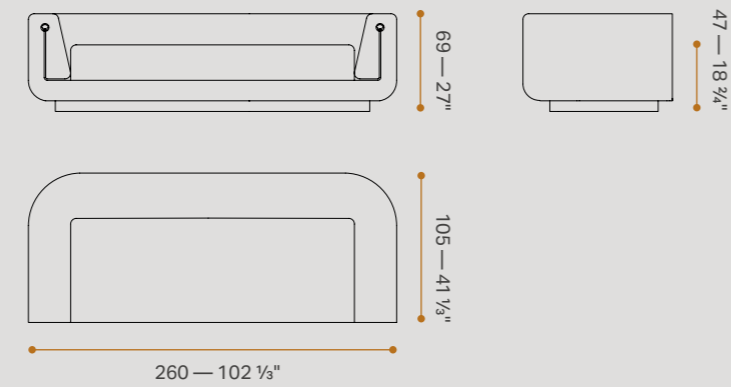
Wood with polished Gold, polished chrome or Bronze finishing.

### OPTIONAL CUSHIONS

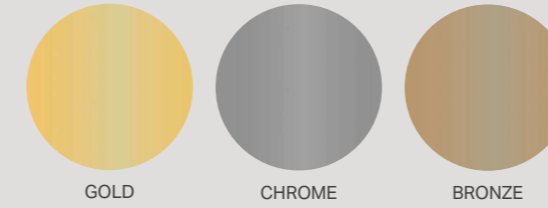
Cushions 50x50 and 60x60 in feather with removable cover.

### 3 seater sofa

JES (D3)

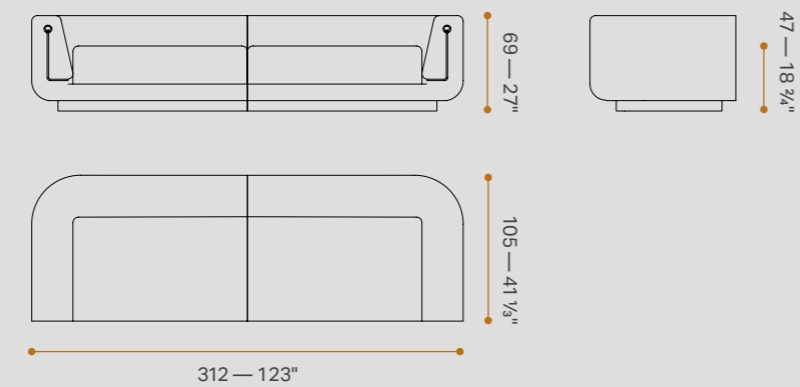


### Finishings - logo and base



### 4 seater sofa in 2 elements

JES (D4)



SOFA

# STILETTO

In Stiletto sofa, Versace's forceful femininity is celebrated in every detail: from the undulating lines of the frame through to the feet recalling the iconic Stiletto heel. The deep, comfortable seat guarantees moments of relaxation.

[↗ SEE ON WEBSITE](#)



SOFA

# STILETTO

## TECHNICAL SHEET

### FRAME

Wood and composite material padded with Polyurethane and Fiberfill, seat with intervowen elastic bands.

3D Metal Medusa logo with polished Gold or polished chrome finishing.

### SEAT CUSHIONS

Feather, Polyurethane and Fiberfill.

### COVER

Not removable in fabric or leather.

Piping on the frame and on the seat cushions in coordinated microfibre with velvet cover, in fabric with fabric cover or in leather with leather cover.

### BASE

Aluminium with matt Satin Grey finishing.

### OPTIONAL

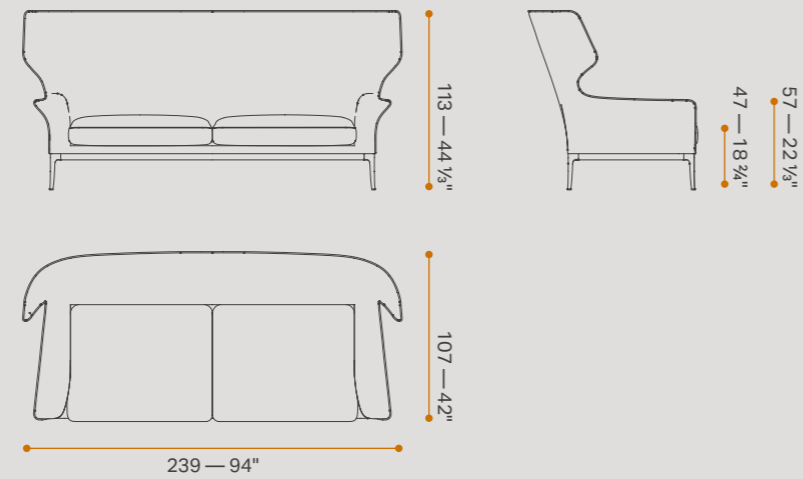
Medusa logo embroidery on the internal back.

### OPTIONAL CUSHIONS

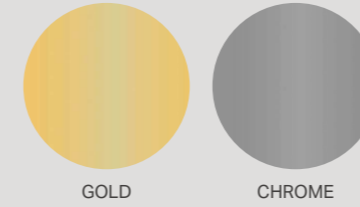
Back cushions 60×60 in feather, with removable fabric or leather cover.

### 3 seater sofa

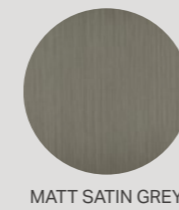
HEE (D3)



### Finishings - logo



### Finishing - base



BENCH

# STILETTO

In Stiletto bench, Versace's forceful femininity is celebrated in every detail: from the undulating lines of the frame through to the feet recalling the iconic Stiletto heel. The deep, comfortable seat guarantees moments of relaxation.

➤ [SEE ON WEBSITE](#)



BENCH  
**STILETTO**

TECHNICAL SHEET

**FRAME**

Wood and composite material padded with Polyurethane and Fiberfill, seat with interwoven elastic bands. 3D Metal Medusa logo with polished Gold or polished chrome finishing.

**SEAT CUSHIONS**

Feather, Polyurethane and Fiberfill.

**COVER**

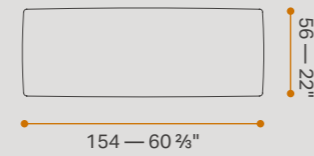
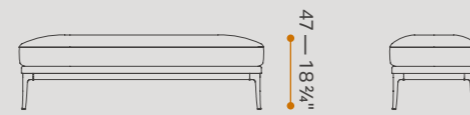
Not removable in fabric or leather.

Piping on the frame and on the seat cushions in coordinated microfibre with velvet cover, in fabric with fabric cover or in leather with leather cover.

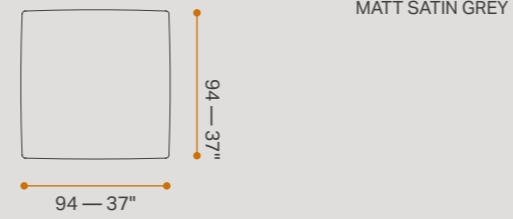
**BASE**

Aluminium with matt Satin Grey finishing.

**Bench**  
 HEE (PAN)

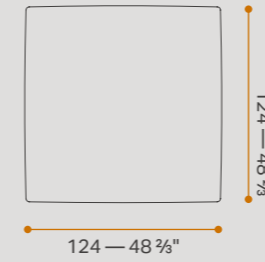
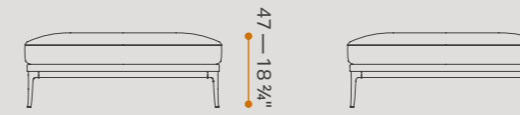


**Ottoman**  
 HEE (POU2)

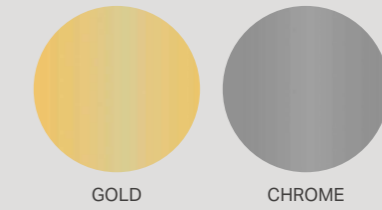


MATT SATIN GREY

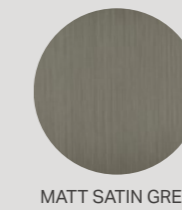
**Big ottoman**  
 HEE (POU1)



**Finishings - logo**



**Finishing - base**



SOFA

# STILETTO LOW

In Stiletto Low sofa by Versace Home, the Maison's forceful femininity is celebrated in every detail. The sofa boasts a cover in fabric or leather and a 3D Metal Medusa logo with polished Gold or polished chrome finishing.

➤ [SEE ON WEBSITE](#)



# STILETTO LOW

## TECHNICAL SHEET

**N.B.** THE SECTIONAL ELEMENTS ARE ALSO AVAILABLE AS SINGLE ELEMENT.

### FRAME

Wood and steel padded with Polyurethane and Fiberfill, seat with intervoven elastic bands.  
3D Metal Medusa logo with polished Gold or polsihed chrome finishing.

### SEAT CUSHIONS

Polyurethane, Fiberfill and feather.

### COVER

Not removable in fabric or leather.

Piping on the frame and on the seat cushions in coordinated microfibre with velvet cover, in fabric with fabric cover or in leather with leather cover.

### BASE

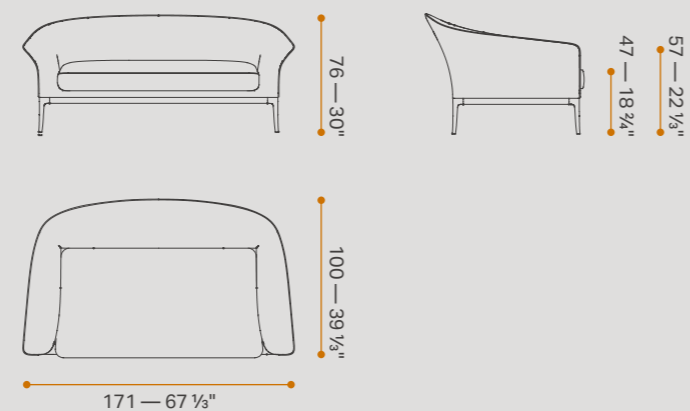
Aluminium with matt Satin Grey finishing.

### OPTIONAL CUSHIONS

Back cushions 60×60 in feather, with fabric or leather removable cover.

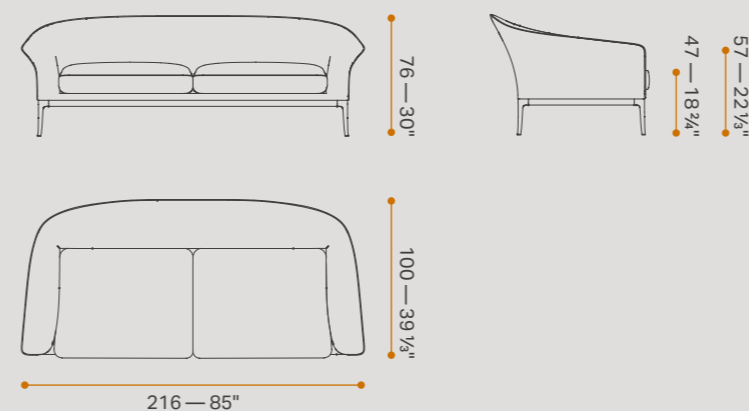
### 2 seater sofa

HEE (D2B)

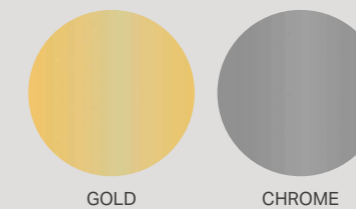


### 3 seater sofa

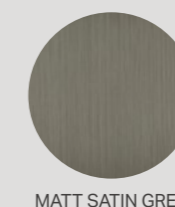
HEE (D3B)



### Finishings - logo



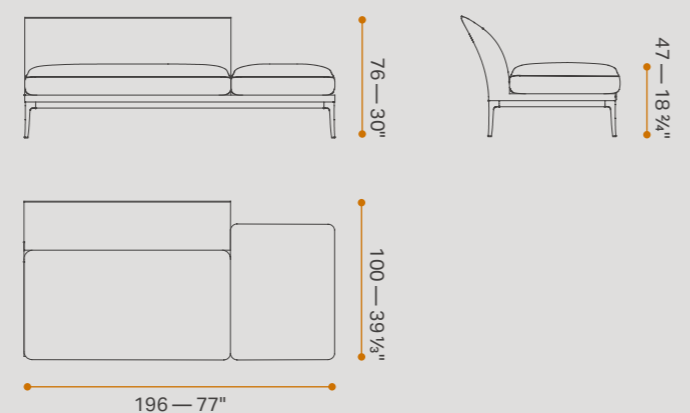
### Finishing - base



### Right or left element

HEE (E2TD) - HEE (E2TS)

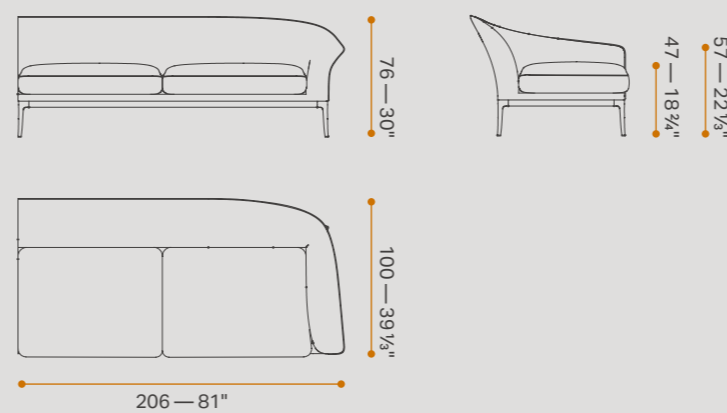
Drawing: right element



### 2 seater element with right or left armrest

HEE (E2DB) - HEE (E2SB)

Drawing: right element



# STILETTO LOW

## TECHNICAL SHEET

**N.B.** THE SECTIONAL ELEMENTS ARE ALSO AVAILABLE AS SINGLE ELEMENT.

### FRAME

Wood and steel padded with Polyurethane and Fiberfill, seat with intervoven elastic bands.  
3D Metal Medusa logo with polished Gold or polsihed chrome finishing.

### SEAT CUSHIONS

Polyurethane, Fiberfill and feather.

### COVER

Not removable in fabric or leather.

Piping on the frame and on the seat cushions in coordinated microfibre with velvet cover, in fabric with fabric cover or in leather with leather cover.

### BASE

Aluminium with matt Satin Grey finishing.

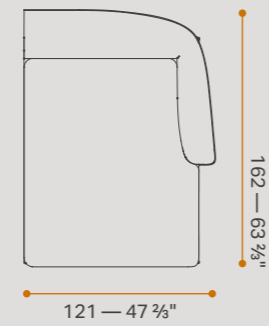
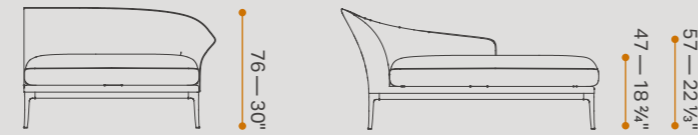
### OPTIONAL CUSHIONS

Back cushions 60x60 in feather, with fabric or leather removable cover.

### Right or left chaise longue

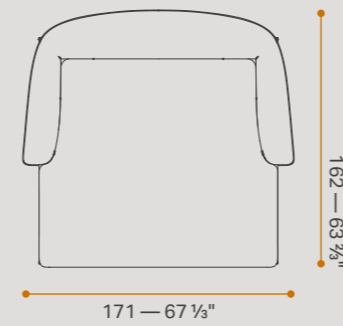
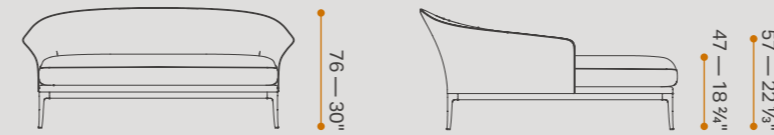
HEE (CLDB) - HEE (CLSB)

*Drawing: right element*



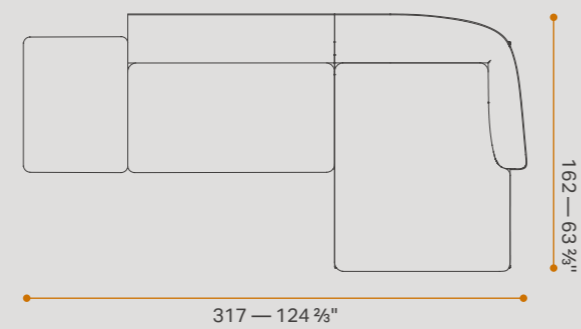
### Love bed

HEE (LB)



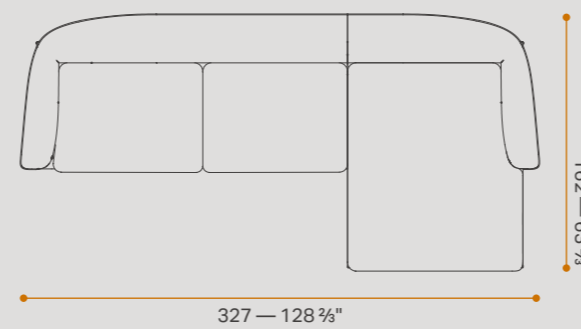
### Example of sectional sofa

HEE (E2TS) + HEE (CLDB)

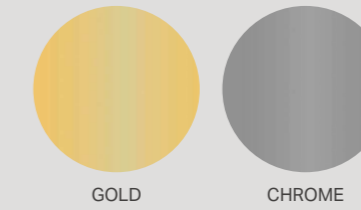


### Example of sectional sofa

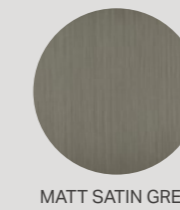
HEE (E2SB) + HEE (CLDB)



### Finishings - logo



### Finishing - base



SOFA

# V21 SIGNATURE

A sectional sofa including a chaise longue, ottomans, island and a curved element, V21 Signature sofa by Versace Home can be paired with small steel tables with polished Gold or polished chrome finishing and inlaid with the Versace Signature logo. The support units are covered in fabric or leather with V-shaped logo quilting.

➤ [SEE ON WEBSITE](#)



# V21 SIGNATURE

## TECHNICAL SHEET

**N.B.** THE SECTIONAL ELEMENTS ARE ALSO AVAILABLE AS SINGLE ELEMENT.

### FRAME

Wood padded with Polyurethane and Fiberfill, seat with interwoven elastic bands.  
3D Metal Medusa logo with polished Gold or polished chrome finishing.

### SEAT CUSHIONS

Feather, Polyurethane and Fiberfill.

### COVER

Removable fabric or leather.

### FEET

Wood wengé stained.

### SMALL TABLE

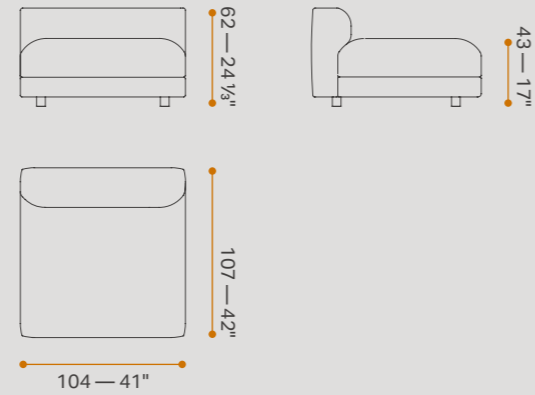
Steel with polished Gold or polished chrome finishing and Versace Signature logo, support covered in fabric or leather with V-Shape logo quilting.

### OPTIONAL CUSHIONS

Roll with optional V-Shape logo quilting, back cushion 60×60 and 75×60 in feather, Polyurethane and Fiberfill, removable cover.

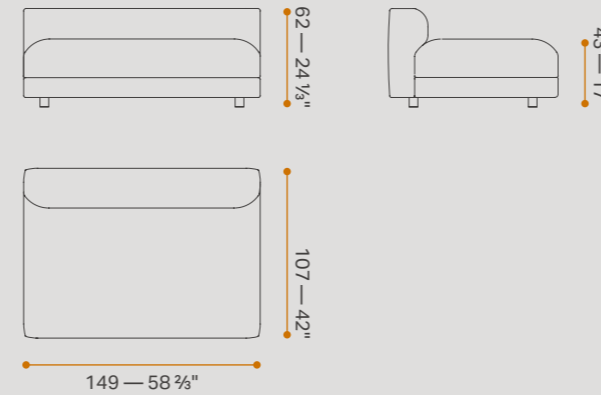
### Medium central element

MKL (ECM)



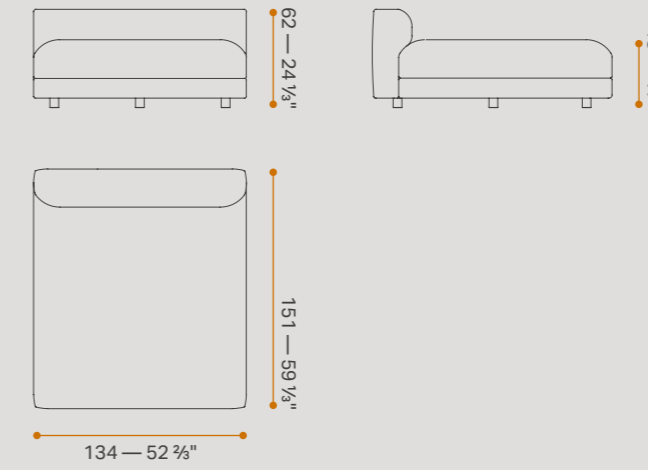
### Maxi central element

MKL (ECX)

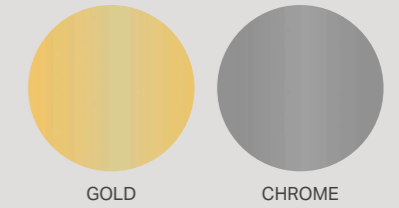


### Central chaise longue

MKL (CLC)



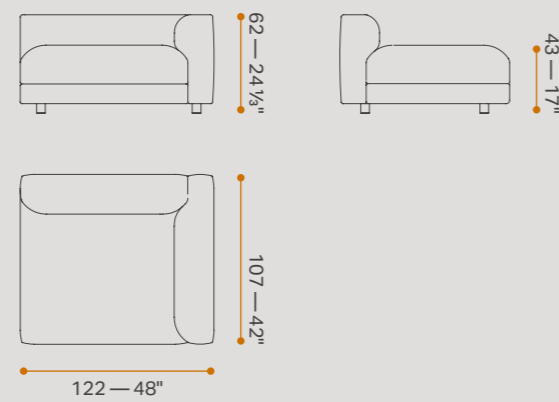
### Finishings - logo and small table



### Medium seat element with right or left armrest

MKL (E1MD) - MKL (E1MS)

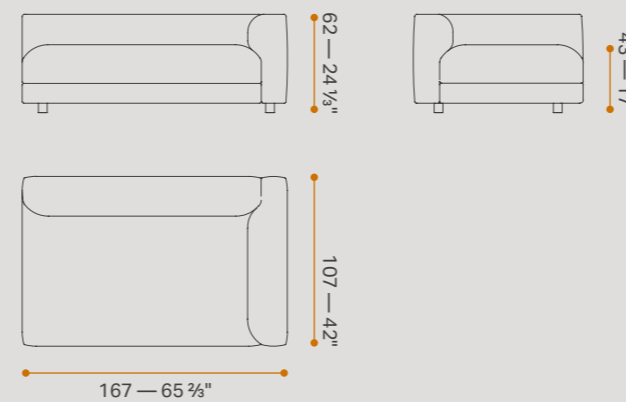
Drawing: right element



### Maxi seat element with right or left armrest

MKL (E1XD) - MKL (E1XS)

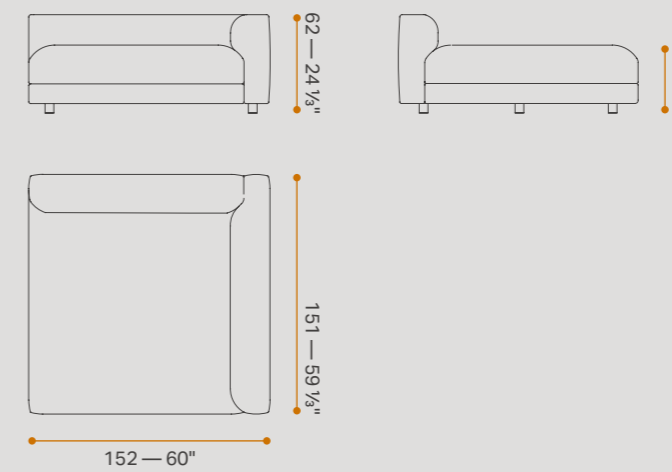
Drawing: right element



### Right or left chaise longue

MKL (CLD) - MKL (CLS)

Drawing: right element



# V21 SIGNATURE

## TECHNICAL SHEET

**N.B.** THE SECTIONAL ELEMENTS ARE ALSO AVAILABLE AS SINGLE ELEMENT.

### FRAME

Wood padded with Polyurethane and Fiberfill, seat with interwoven elastic bands. 3D Metal Medusa logo with polished Gold or polished chrome finishing.

### SEAT CUSHIONS

Feather, Polyurethane and Fiberfill.

### COVER

Removable fabric or leather.

### FEET

Wood wengé stained.

### SMALL TABLE

Steel with polished Gold or polished chrome finishing and Versace Signature logo, support covered in fabric or leather with V-Shape logo quilting.

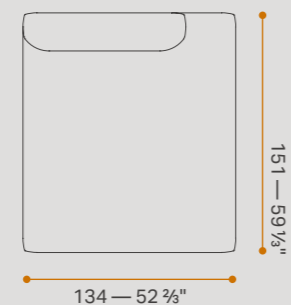
### OPTIONAL CUSHIONS

Roll with optional V-Shape logo quilting, back cushion 60×60 and 75×60 in feather, Polyurethane and Fiberfill, removable cover.

### Maxi right or left chaise longue

MKL (CLXD) - MKL (CLXS)

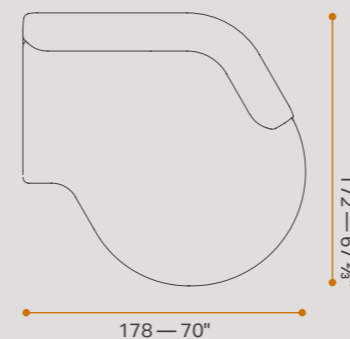
*Drawing: right element*



### Curved element with right or left armrest

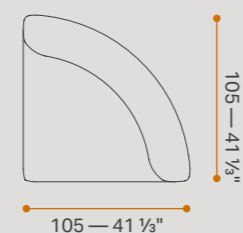
MKL (ECD) - MKL (ECS)

*Drawing: right element*

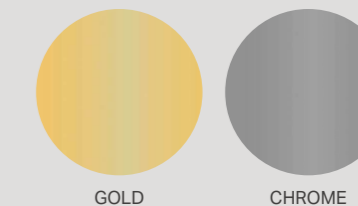


### Corner element

MKL (ANG)



### Finishings - logo and small table



# V21 SIGNATURE

## TECHNICAL SHEET

**N.B.** THE SECTIONAL ELEMENTS ARE ALSO AVAILABLE AS SINGLE ELEMENT.

### FRAME

Wood padded with Polyurethane and Fiberfill, seat with interwoven elastic bands.

3D Metal Medusa logo with polished Gold or polished chrome finishing.

### SEAT CUSHIONS

Feather, Polyurethane and Fiberfill.

### COVER

Removable fabric or leather.

### FEET

Wood wengé stained.

### SMALL TABLE

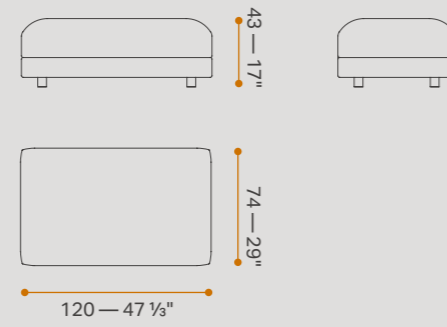
Steel with polished Gold or polished chrome finishing and Versace Signature logo, support covered in fabric or leather with V-Shape logo quilting.

### OPTIONAL CUSHIONS

Roll with optional V-Shape logo quilting, back cushion 60×60 and 75×60 in feather, Polyurethane and Fiberfill, removable cover.

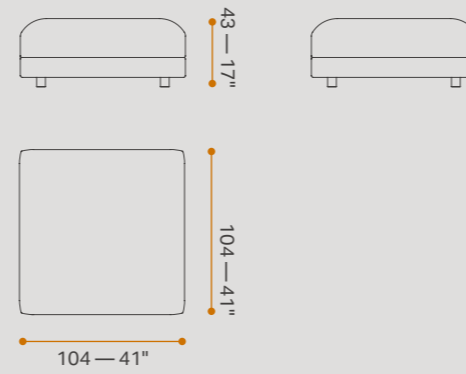
### Small ottoman

MKL (POU)



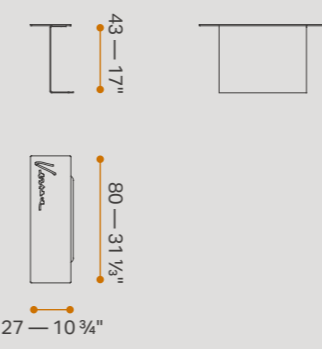
### Medium ottoman

MKL (POUP)



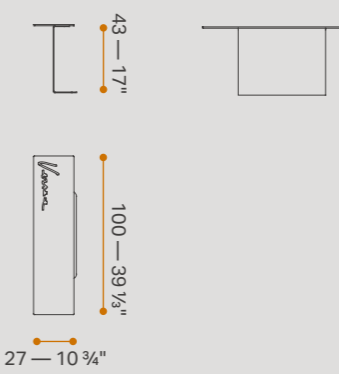
### Small table

MKL (TAV80)

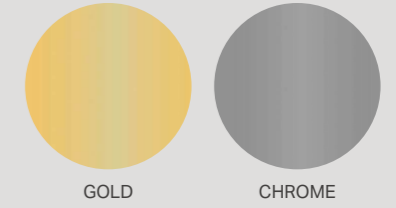


### Big small table

MKL (TAV100)



### Finishings - logo and small table

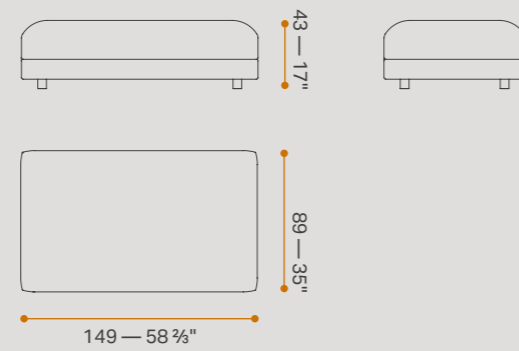


GOLD

CHROME

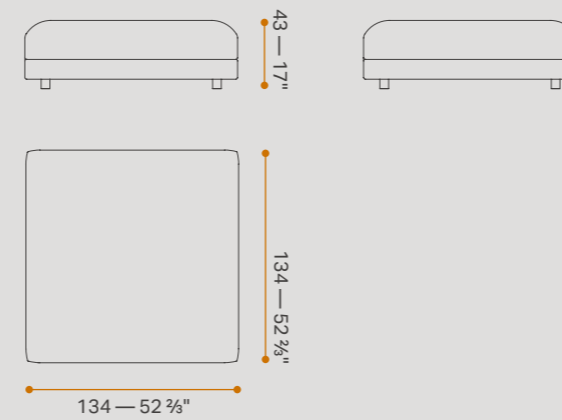
### Big ottoman

MKL (POUG)



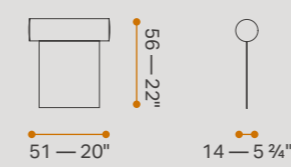
### Maxi ottoman

MKL (POUX)



### Optional roll

MKL (RUL01)



# V21 SIGNATURE

## TECHNICAL SHEET

**N.B.** THE SECTIONAL ELEMENTS ARE ALSO AVAILABLE AS SINGLE ELEMENT.

### FRAME

Wood padded with Polyurethane and Fiberfill, seat with interwoven elastic bands.

3D Metal Medusa logo with polished Gold or polished chrome finishing.

### SEAT CUSHIONS

Feather, Polyurethane and Fiberfill.

### COVER

Removable fabric or leather.

### FEET

Wood wengé stained.

### SMALL TABLE

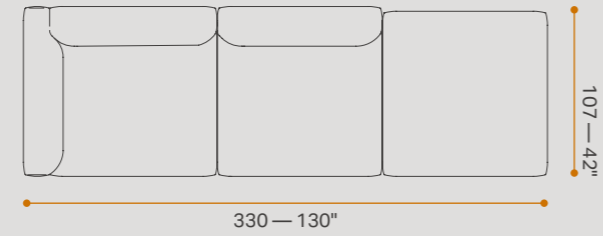
Steel with polished Gold or polished chrome finishing and Versace Signature logo, support covered in fabric or leather with V-Shape logo quilting.

### OPTIONAL CUSHIONS

Roll with optional V-Shape logo quilting, back cushion 60x60 and 75x60 in feather, Polyurethane and Fiberfill, removable cover.

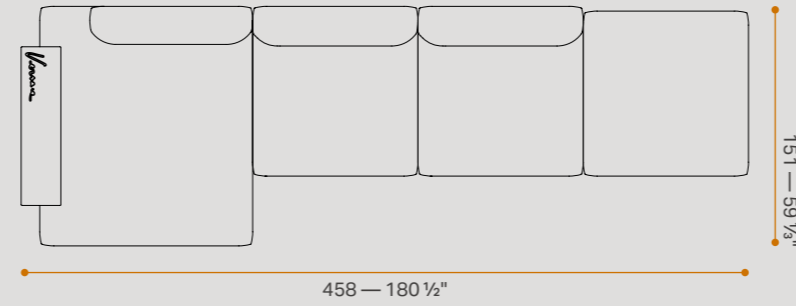
### Example of sectional sofa

MKL (E1MS) + MKL (ECM) + MKL (POUP)



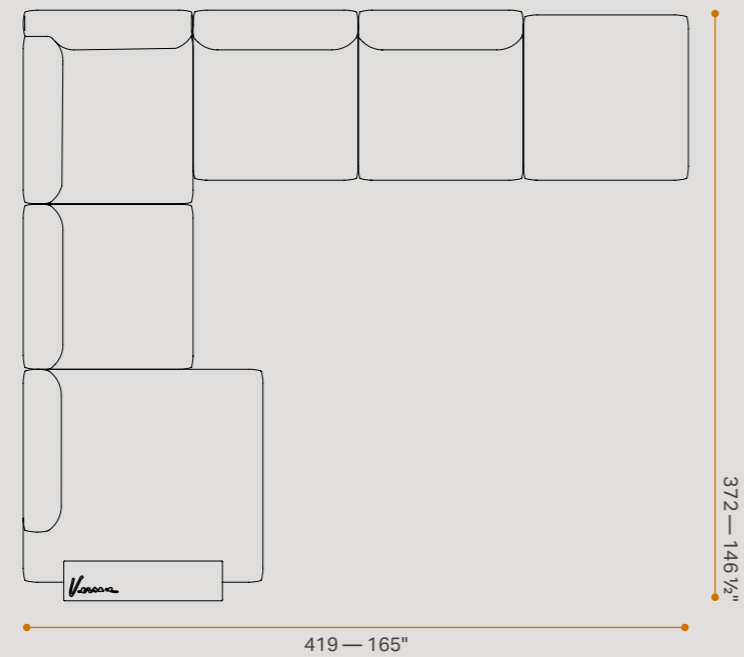
### Example of sectional sofa

MKL (TAV100) + MKL (CLXS) + MKL (ECM) + MKL (ECM) + MKL (POUP)



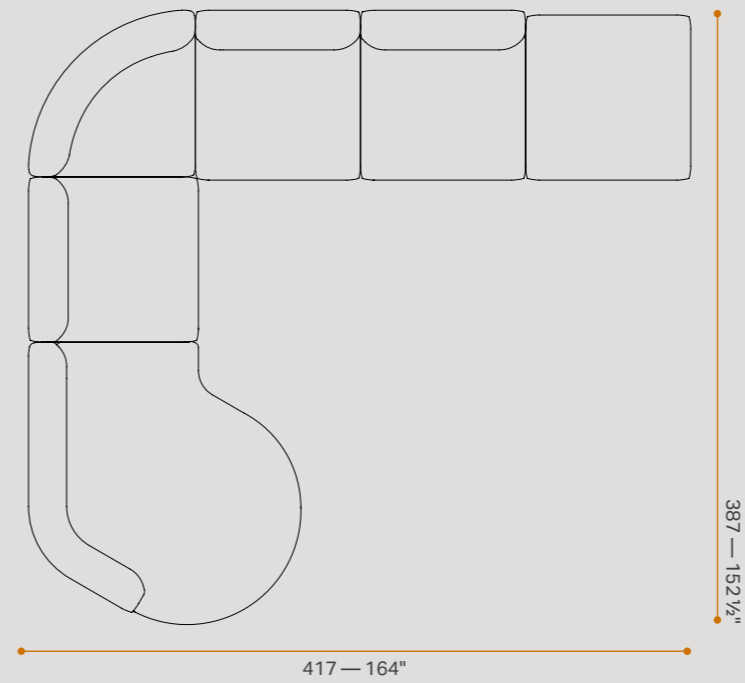
### Example of sectional sofa

MKL (TAV100) + MKL (CLXS) + MKL (ECM) + MKL (E1MD) + MKL (ECM) + MKL (ECM) + MKL (POUP)

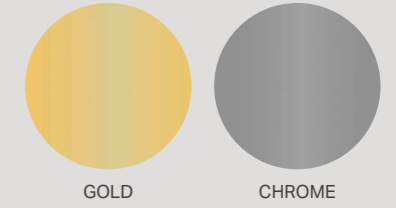


### Example of sectional sofa

MKL (ECS) + MKL (ECM) + MKL (ANG) + MKL (ECM) + MKL (ECM) + MKL (POUP)



### Finishings - logo and small table



SOFA

# ZENSATIONAL

In Zensational sofa by Versace Home, the modules are designed as streamlined geometric shapes with playful hints from the past: a Tangram of shapes, patterns and materials which form astonishing arrangements.

➤ [SEE ON WEBSITE](#)



# ZENSATIONAL

## TECHNICAL SHEET

**N.B.** THE SECTIONAL ELEMENTS ARE ALSO AVAILABLE AS SINGLE ELEMENT.

### FRAME

Wood padded with Polyurethane and Fiberfill.  
3D Metal Medusa logo with polished chrome or polished Gold finishing.

### SEAT

Wood with interwoven elastic bands, padding in Polyurethane and Fiberfill.

### COVER

Not removable fabric or leather cover.

Big central element and maxi lateral element covered available with institutional fabric Baroccodile Panel 3F 001 Solid Black/Gold (not compatible with OPTIONAL 1A, OPTIONAL 1B, OPTIONAL 1C and OPTIONAL 2A, OPTIONAL 2B, OPTIONAL 2C).

### FEET

Wood wengé stained.

### COFFEE TABLE

Curved wood and lacquered wood in ivory, black, Chianti, Pearl Grey or Arctic White colour, with glossy brushed finishing.

Alternative version in wood veneered Ebony Macassar with glossy brushed finishing.

3D Metal Medusa logo with polished Gold or polished chrome finishing.

Wooden feet wengé stained.

### OPTIONAL 1A-1B-1C

Column quilting on the back and on the seat (OPTIONAL 1A), on the armrest (OPTIONAL 1B) or on the back, on the seat and on the armrest (OPTIONAL 1C).

### OPTIONAL 2A-2B-2C

Armrest's frontal cover with logo (OPTIONAL 2A).

Armrest's frontal cover with logo + Column quilting on the armrest's upper part (OPTIONAL 2B).

Armrest's frontal cover with logo + Column quilting on the seat, on the back and on the armrest's upper part (OPTIONAL 2C).

Fabric version: 3D Metal Medusa logo with polished Gold or polished chrome finishing.

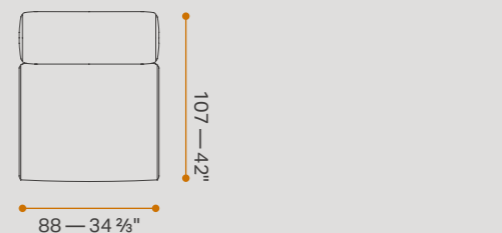
Leather version: with stitched leather application and 3D Metal Medusa logo with polished Gold or polished chrome finishing.

### OPTIONAL CUSHIONS

Cushions in feather 50x50 and 60x60 with removable cover.

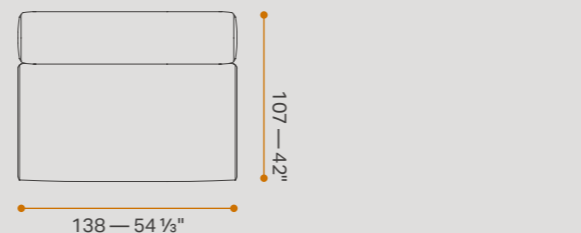
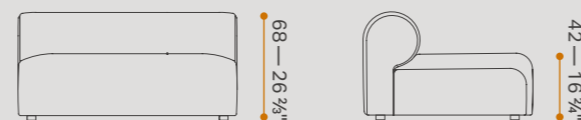
### Medium central element

DFT (ECM)



### Big central element

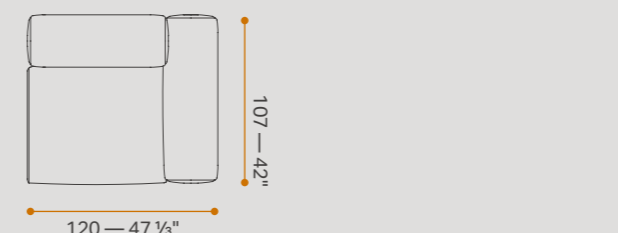
DFT (ECG)



### Medium right or left element

DFT (EDM) - DFT (ESM)

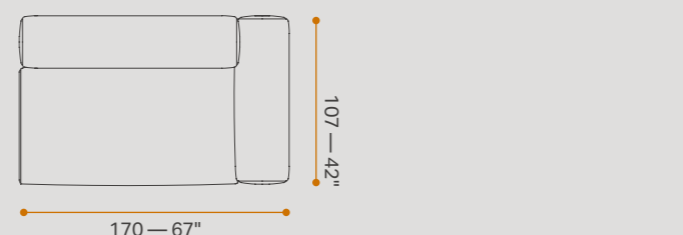
*Drawing: right element*



### Maxi right or left element

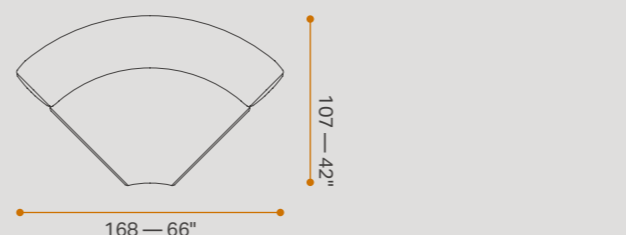
DFT (EDX) - DFT (ESX)

*Drawing: right element*

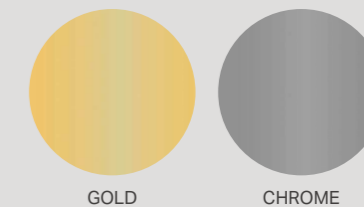


### Curved corner element

DFT (ANG)



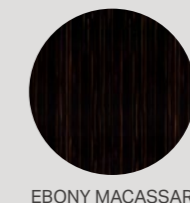
### Finishings - logo



### Lacquered - coffee table



### Veneered - coffee table



# ZENSATIONAL

## TECHNICAL SHEET

**N.B.** THE SECTIONAL ELEMENTS ARE ALSO AVAILABLE AS SINGLE ELEMENT.

### FRAME

Wood padded with Polyurethane and Fiberfill.  
3D Metal Medusa logo with polished chrome or polished Gold finishing.

### SEAT

Wood with interwoven elastic bands, padding in Polyurethane and Fiberfill.

### COVER

Not removable fabric or leather cover.  
Big central element and maxi lateral element covered available with institutional fabric Baroccodile Panel 3F 001 Solid Black/Gold (not compatible with OPTIONAL 1A, OPTIONAL 1B, OPTIONAL 1C and OPTIONAL 2A, OPTIONAL 2B, OPTIONAL 2C).

### FEET

Wood wengé stained.

### COFFEE TABLE

Curved wood and lacquered wood in ivory, black, Chianti, Pearl Grey or Arctic White colour, with glossy brushed finishing.

Alternative version in wood veneered Ebony Macassar with glossy brushed finishing.

3D Metal Medusa logo with polished Gold or polished chrome finishing.

Wooden feet wengé stained.

### OPTIONAL 1A-1B-1C

Column quilting on the back and on the seat (OPTIONAL 1A), on the armrest (OPTIONAL 1B) or on the back, on the seat and on the armrest (OPTIONAL 1C).

### OPTIONAL 2A-2B-2C

Armrest's frontal cover with logo (OPTIONAL 2A).

Armrest's frontal cover with logo + Column quilting on the armrest's upper part (OPTIONAL 2B).

Armrest's frontal cover with logo + Column quilting on the seat, on the back and on the armrest's upper part (OPTIONAL 2C).

Fabric version: 3D Metal Medusa logo with polished Gold or polished chrome finishing.

Leather version: with stitched leather application and 3D Metal Medusa logo with polished Gold or polished chrome finishing.

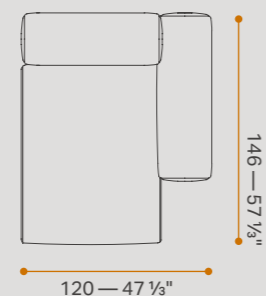
### OPTIONAL CUSHIONS

Cushions in feather 50x50 and 60x60 with removable cover.

### Right or left chaise longue

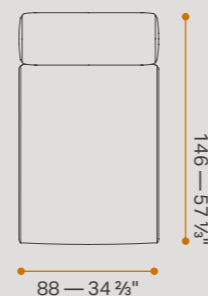
DFT (CLD) - DFT (CLS)

Drawing: right element



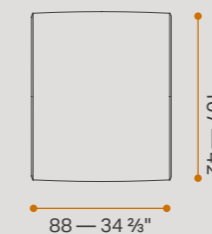
### Couch

DFT (COU)



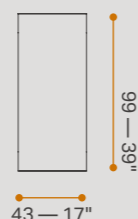
### Ottoman

DFT (POU)



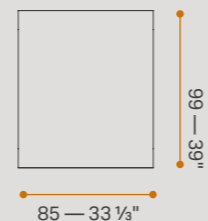
### Coffee table

TCV (48)



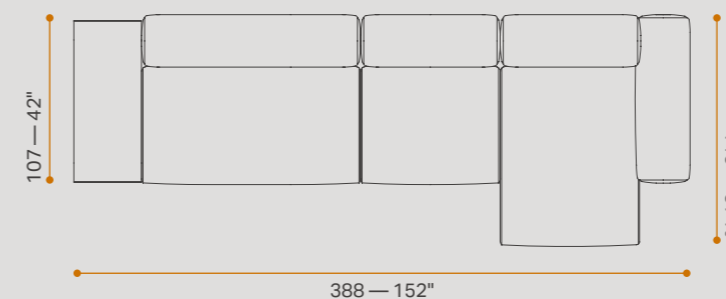
### Big coffee table

TCV (49)

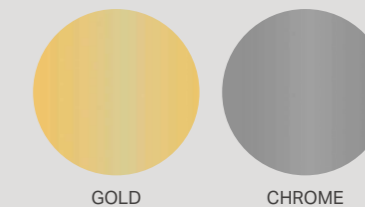


### Example of sectional sofa

TCV (48) + DFT (ECG) + DFT (ECM) + DFT (CLD)



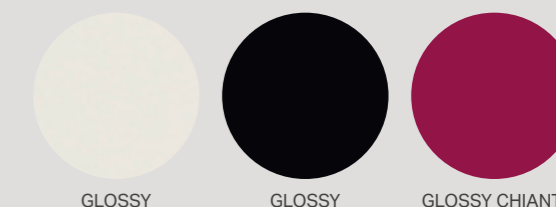
### Finishings - logo



GOLD

CHROME

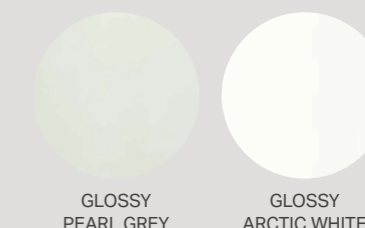
### Lacquered - coffee table



GLOSSY IVORY

GLOSSY BLACK

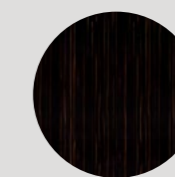
GLOSSY CHIANTI



GLOSSY PEARL GREY

GLOSSY ARCTIC WHITE

### Veneered - coffee table



EBONY MACASSAR

# ZENSATIONAL

## TECHNICAL SHEET

**N.B.** THE SECTIONAL ELEMENTS ARE ALSO AVAILABLE AS SINGLE ELEMENT.

### FRAME

Wood padded with Polyurethane and Fiberfill.  
3D Metal Medusa logo with polished chrome or polished Gold finishing.

### SEAT

Wood with interwoven elastic bands, padding in Polyurethane and Fiberfill.

### COVER

Not removable fabric or leather cover.  
Big central element and maxi lateral element covered available with institutional fabric Baroccodile Panel 3F 001 Solid Black/Gold (not compatible with OPTIONAL 1A, OPTIONAL 1B, OPTIONAL 1C and OPTIONAL 2A, OPTIONAL 2B, OPTIONAL 2C).

### FEET

Wood wengé stained.

### COFFEE TABLE

Curved wood and lacquered wood in ivory, black, Chianti, Pearl Grey or Arctic White colour, with glossy brushed finishing.

Alternative version in wood veneered Ebony Macassar with glossy brushed finishing.

3D Metal Medusa logo with polished Gold or polished chrome finishing.

Wooden feet wengé stained.

### OPTIONAL 1A-1B-1C

Column quilting on the back and on the seat (OPTIONAL 1A), on the armrest (OPTIONAL 1B) or on the back, on the seat and on the armrest (OPTIONAL 1C).

### OPTIONAL 2A-2B-2C

Armrest's frontal cover with logo (OPTIONAL 2A).

Armrest's frontal cover with logo + Column quilting on the armrest's upper part (OPTIONAL 2B).

Armrest's frontal cover with logo + Column quilting on the seat, on the back and on the armrest's upper part (OPTIONAL 2C).

Fabric version: 3D Metal Medusa logo with polished Gold or polished chrome finishing.

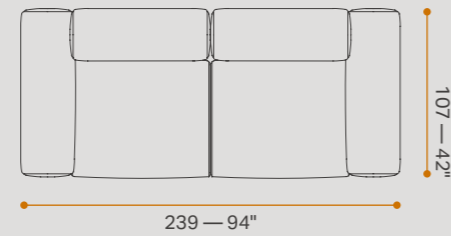
Leather version: with stitched leather application and 3D Metal Medusa logo with polished Gold or polished chrome finishing.

### OPTIONAL CUSHIONS

Cushions in feather 50x50 and 60x60 with removable cover.

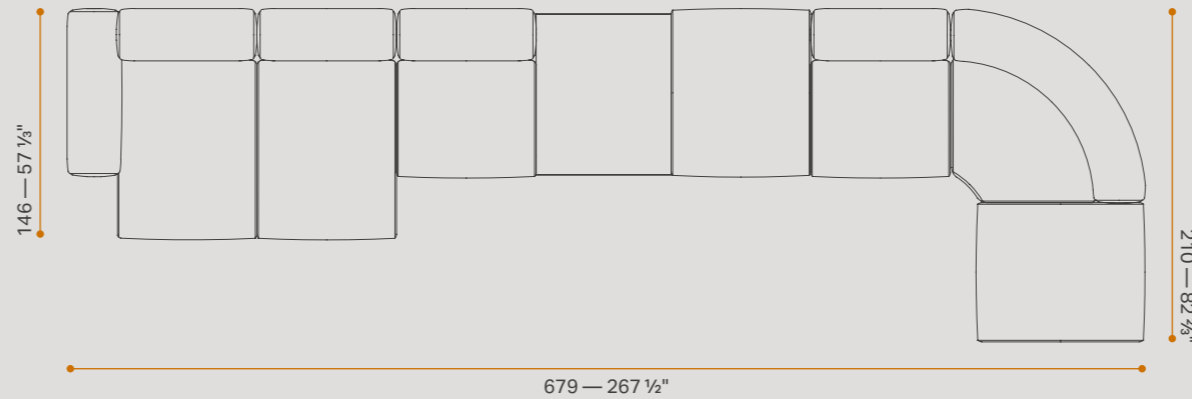
### Example of sectional sofa

DFT (ESM) + DFT (EDM)



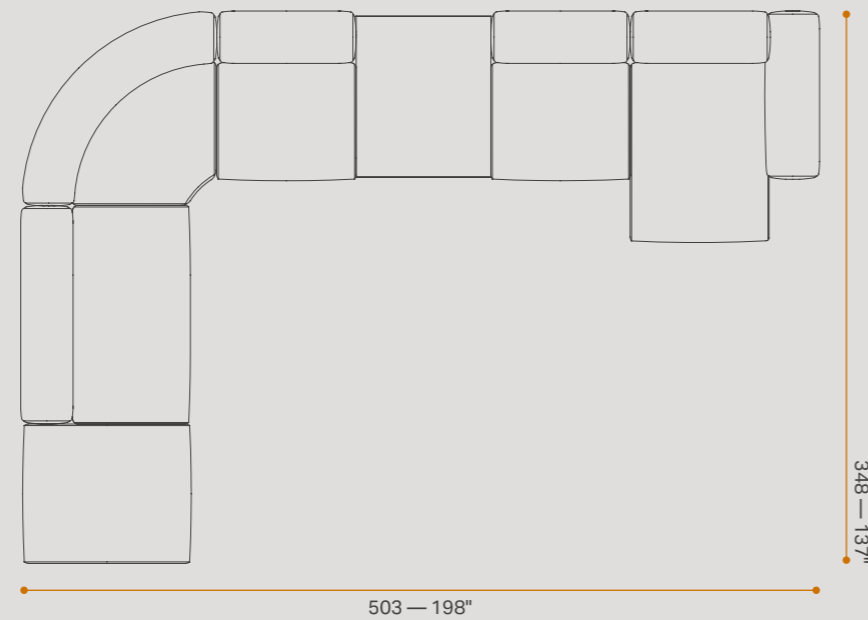
### Example of sectional sofa

DFT (CLS) + DFT (COU) + DFT (ECM) + TCV (49) + DFT (POU) + DFT (ECM) + DFT (ANG) + DFT (POU)



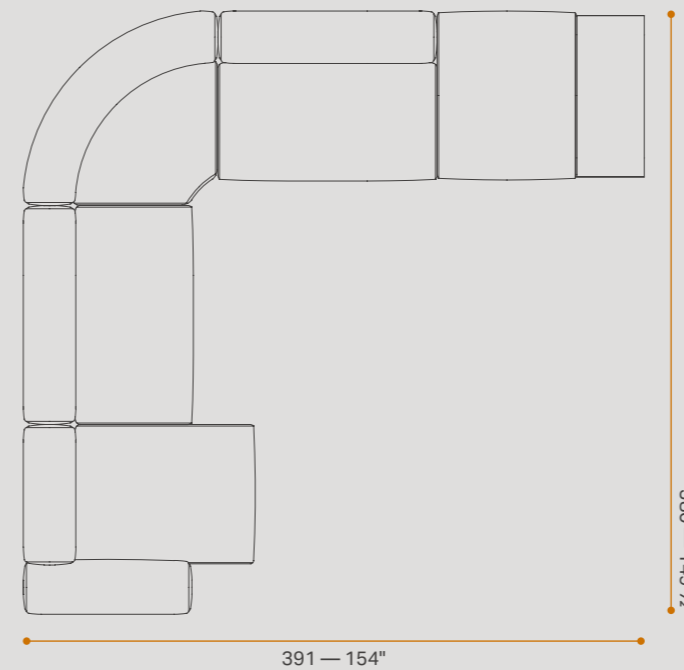
### Example of sectional sofa

DFT (POU) + DFT (ECG) + DFT (ANG) + DFT (ECM) + TCV (49) + DFT (ECM) + DFT (CLD)

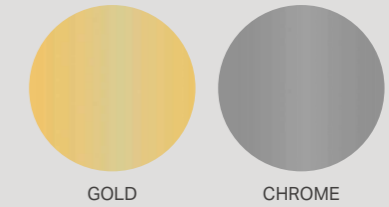


### Example of sectional sofa

DFT (CLS) + DFT (ECG) + DFT (ANG) + DFT (ECG) + DFT (POU) + TCV (48)



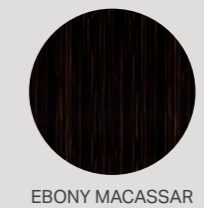
### Finishings - logo



### Lacquered - coffee table



### Veneered - coffee table



**ARMCHAIRS**

SMALL ARMCHAIR

# ACANTHO

Classical architecture inspires the Acantho small armchair, defined by a folded element reminiscent of the ornate unfurling acanthus leaves of Versace's signature Barocco print. This sinuous movement, secured in its soft curvature by a gold button featuring the House's Medusa, unfolds into a seat. Upholstered in fine alpaca or nubuck, the armchair can be customized by mixing different finishes or opting for an all-over fabric that embodies the House's signature design codes.

[SEE ON WEBSITE](#)



SMALL ARMCHAIR

# ACANTHO

## TECHNICAL SHEET

### FRAME

Wood padded with Polyurethane and Fiberfill, seat frame with interwoven elastic bands. 3D Metal Medusa logo with metal ring with polished Gold, polished chrome or Bronze finishing.

### COVER

Not removable fabric or leather cover. Available with panel fabrics.

### FEET

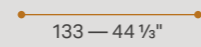
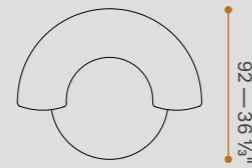
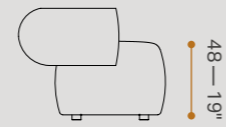
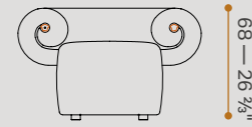
Wood wengé stained.

### OPTIONAL

Small armchair with wooden swivel base, black lacquered.

### Small armchair

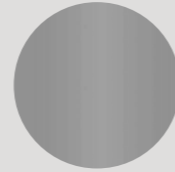
RIC (POL)



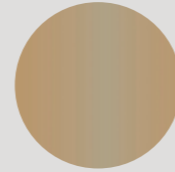
### Finishings - logo



GOLD



CHROME



BRONZE

ARMCHAIR

# ACANTHO

The ornate unfurling acanthus leaves of Versace's signature Barocco print inform the enveloping scroll shape of the Acantho armchair backrest. The iconic Medusa embellishes the side of the backrest, anchoring the dynamic movement that defines the piece. Upholstered in fine alpaca or nubuck, the armchair can be customized by mixing different finishes or opting for an all-over fabric that embodies the House's signature design codes.

[↗ SEE ON WEBSITE](#)



ARMCHAIR

# ACANTHO

## TECHNICAL SHEET

### FRAME

Wood padded with Polyurethane and Fiberfill, seat frame with interwoven elastic bands. 3D Metal Medusa logo with metal ring with polished Gold, polished chrome or Bronze finishing.

### COVER

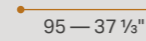
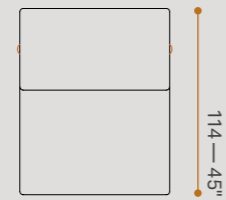
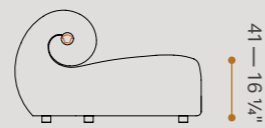
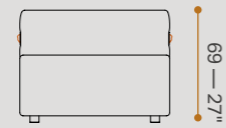
Not removable fabric or leather cover. Available with panel fabrics.

### FEET

Wood wengé stained.

### Armchair

RIC (POL1)



### Finishings - logo



GOLD



CHROME



BRONZE

CHAISE LONGUE

# ACANTHO

The ornate unfurling acanthus leaves of Versace's signature Barocco print inform the enveloping scroll shape of the Acantho chaise longue's backrest. The iconic Medusa embellishes the side of the backrest, anchoring the dynamic movement that defines the piece. Upholstered in fine alpaca or nubuck, the armchair can be customized by mixing different finishes or opting for an all-over fabric that embodies the House's signature design codes.

[SEE ON WEBSITE](#)



CHAISE LONGUE

# ACANTHO

## TECHNICAL SHEET

### FRAME

Wood padded with Polyurethane and Fiberfill, seat frame with interwoven elastic bands. 3D Metal Medusa logo with metal ring with polished Gold, polished chrome or Bronze finishing.

### COVER

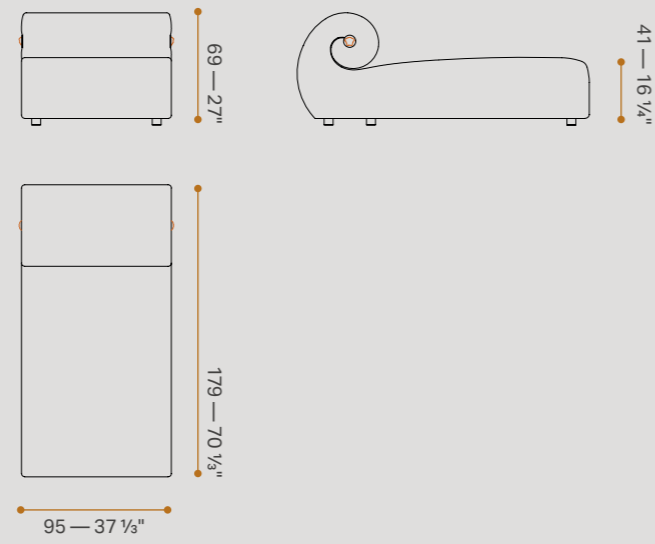
Not removable fabric or leather cover. Available with panel fabrics.

### FEET

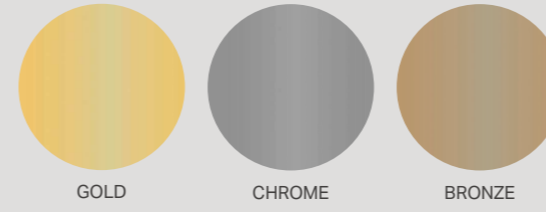
Wood wengé stained.

### Chaise longue

RIC (CL)



### Finishings - logo



ARMCHAIR

# ELITE

Available in leather or fabric, the Elite armchair stands out for its sculptural silhouette and compact design. The enveloping backrest features the 3D Metal Medusa logo—offered in polished Gold, chrome or Bronze—as a refined decorative accent. An optional swivel base enhances the armchair's versatility, adapting to various interior layouts.

[SEE ON WEBSITE](#)



ARMCHAIR

# ELITE

## TECHNICAL SHEET

**FRAME**

Wood and composite material padded with Polyurethane and Fiberfill.  
3D Metal Medusa logo with polished Gold, polished chrome or Bronze finishing.

**SEAT**

Wood with Polyurethane and Fiberfill, interwoven elastic bands.

**BASE**

Black lacquered wood.

**COVER**

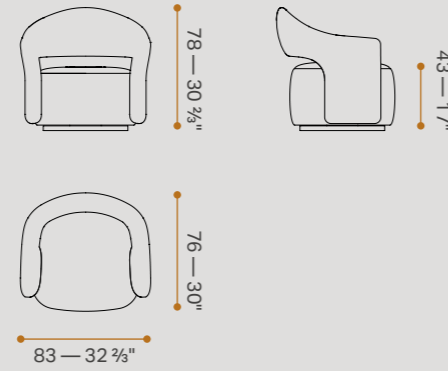
Not removable fabric or leather cover.

**OPTIONAL**

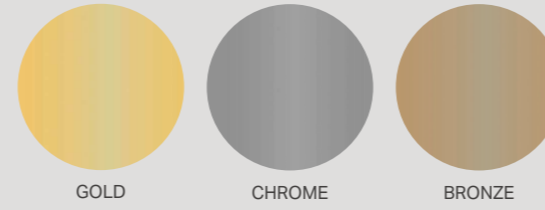
Base with swivel mechanism.

### Armchair

KGA (POL)



### Finishings - logo



ARMCHAIR

# GODDESS

Boasting contemporary, curved lines that reference the silhouette of iconic leather jackets, the Goddess armchair by Versace Home.

[↗ SEE ON WEBSITE](#)



# GODDESS

## TECHNICAL SHEET

### FRAME

Steel padded with Polyurethane and Fiberfill.  
3D Metal Medusa logo with polished Gold, polished chrome or gun-metal grey finishing.

### SEAT

Wood with interwoven elastic bands, seat padded with Polyurethane and Fiberfill.

### COVER

Not removable fabric or leather cover, with coordinated piping (with thick fabric, the piping is made with coordinated satin).

### BASE

Wood covered in the same fabric or leather of the seat cover.

### FEET

Wood wengé stained.

### OPTIONAL

Armchair with swivel steel base, with polished Gold, polished chrome or gun-metal grey finishing.

### OPTIONAL CUSHIONS

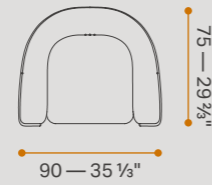
Cushions in feather 50×50 and 60×60 with removable cover. Codes VCU (04) - VCU (03).

### OPTIONAL BACK CUSHION

Back cushion in mixed feather 60×60 with removable cover. Code NAT (CUS/OPT).

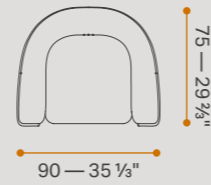
### Armchair

NAT (POL)

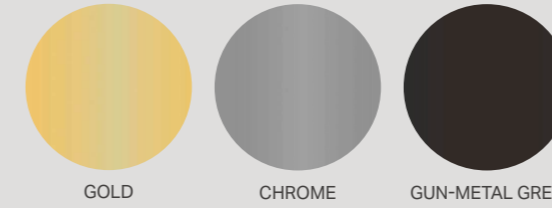


### Armchair with optional

NAT (POL)



### Finishings - logo and swivel base armchair



GOLD

CHROME

GUN-METAL GREY

ARMCHAIR

# HAREM

A contemporary reinterpretation of an iconic design from Versace Home, the Harem armchair expresses a refined sense of comfort and pillow-like-softness. Its sculptural steel structure is generously padded and upholstered in a selection of fabrics and leathers. The seat features three layered cushions that enhance the armchair's rich fabric combinations and inviting look.

Inspired by a stack of Versace cushions on the floor, the Harem chair was first introduced in 2010. The re-edition features a gold Medusa to the back of the chair.

[➤ SEE ON WEBSITE](#)



ARMCHAIR

# HAREM

## TECHNICAL SHEET

### FRAME

Steel padded with Polyurethane and Fiberfill.

### BACK

Steel padded with Polyurethane and Fiberfill.

### COVER

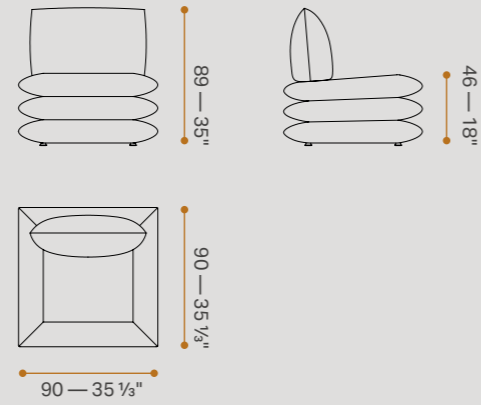
Not removable fabric or leather cover.

### FEET

ABS black.

### Armchair

HRE (POL)



ARMCHAIR

# LA GRECA

The Versace brand codes are reimagined for the home, with an aesthetic non-conformism and interplay of classicism with contemporary seduction that is distinctly Versace. The La Greca armchair is covered in fabric or leather, embellished with the La Greca logo, in polished Gold finishing.

➤ [SEE ON WEBSITE](#)



ARMCHAIR

# LA GRECA

## TECHNICAL SHEET

### FRAME

Steel and wood padded with Polyurethane and Fiberfill.

La Greca logo with polished Gold finishing.

### SEAT CUSHION

Polyurethane and Fiberfill.

### BACK CUSHION

Feather.

### COVER

Not removable fabric or leather cover.

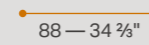
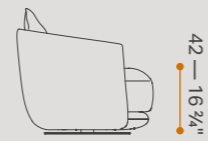
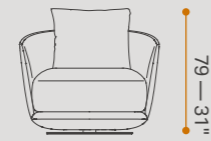
Cushions with removable cover.

### BASE

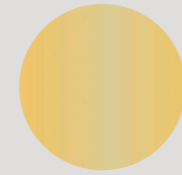
Steel swivel base with polished Gold finishing.

### Armchair

JCK (POL)



### Finishings - logo and swivel base



GOLD

SMALL ARMCHAIR

# LA GRECA

A classic architectural framing device symbolizing infinity and unity, the "Greek Key" is a symbol of continuity for Versace that connects the latest designs with those originally conceived by the House's founders. La Greca small armchair features a plain or worked and quilted backrest with a decorative gold-coloured metal logo with the Greca motif at the centre.

➤ [SEE ON WEBSITE](#)



SMALL ARMCHAIR

# LA GRECA

## TECHNICAL SHEET

### FRAME

Curved wooden back padded with Polyurethane and Fiberfill, seat in wood with interwoven elastic bands.

### COVER

Not removable fabric or leather cover. Leather belt on the outer back with Greca Metal decoration and logo, polished chrome or polished Gold finishing.

### FEET

Wood wengé stained.

### OPTIONAL 1

Swivel wooden base, matt lacquered black.

### OPTIONAL 2

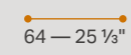
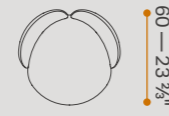
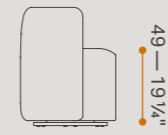
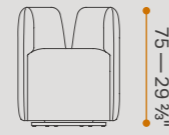
Outer back with Greca quilting.

### OPTIONAL CUSHION

Back cushion.

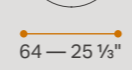
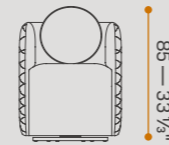
### Small armchair

GR1 (POL)



### Small armchair with optional 2 + optional cushion

GR1 (POL) + GR1 (POL/CUS)



### Finishings - logo



GOLD



CHROME

ARMCHAIR

# LA MEDUSA

The La Medusa armchair by Versace Home enriches the House's exclusive collection, embodying discreet and sophisticated luxury through its refined design. The armchair is characterized by a soft white shell, essential clean lines, a glossy base and a decorative steel hinge with a chrome or polished gold finish and a three-dimensional logo. Also available in a version with a metal swivel base, for a further touch of functional elegance.

➤ [SEE ON WEBSITE](#)



ARMCHAIR

# LA MEDUSA

## TECHNICAL SHEET

**FRAME**

Wood and composite material padded with Polyurethane and Fiberfill.

**BASE**

Wood covered with polished Gold, polished chrome or Bronze finishing.

**COVER**

Not removable fabric or leather cover.

Coordinated steel decorative zipper with 3D Metal Medusa in polished Gold, polished chrome or Bronze finishing.

**OPTIONAL 1**

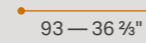
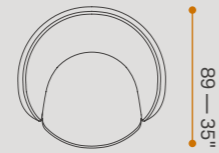
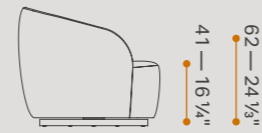
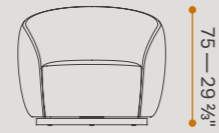
Barocco quilting.

**OPTIONAL 2**

Base with swivel mechanism.

**Armchair**

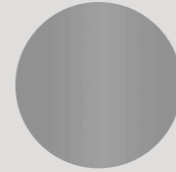
POV (08)



**Finishings - logo and base**



GOLD



CHROME



BRONZE

ARMCHAIR

# LA MEDUSA METAL

The La Medusa armchair, boasting a soft backrest, embedded cushion, and an elegantly total black appearance, is the quintessence of Versace Home. The strong stage presence of this armchair conveys the perfect pairing of style and comfort.

➤ [SEE ON WEBSITE](#)



ARMCHAIR

# LA MEDUSA METAL

## TECHNICAL SHEET

### FRAME

Wood padded with Polyurethane and Fiberfill, seat frame with interwoven elastic bands. Shaped curved steel with polished chrome, polished Gold finishing or varnished Black Soft Touch Dust.

### BACK CUSHION

Feather.

### SEAT CUSHION

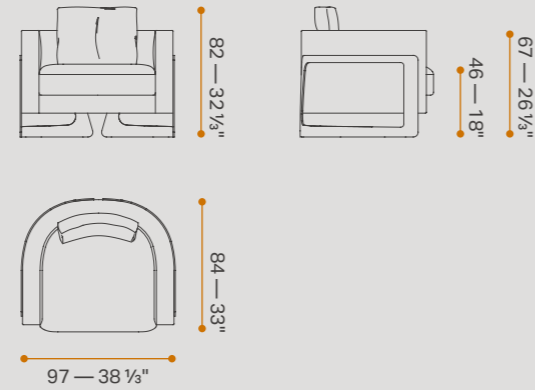
Polyurethane and Fiberfill.

### COVER

Fabric or leather not removable cover. Back cushion with removable cover.

### Armchair

POV (07)



### Finishings - curved steel



ARMCHAIR

# LA MEDUSA ROUND METAL

The sophisticated La Medusa Round Metal armchair enriches the Versace Home collection with its elegant curved metal frame with an elongated seat and oval-shaped backrest. Comfortable and full of character, the seat is personalized with a three-dimensional rendition of the House of Versace's iconic Medusa.

➤ [SEE ON WEBSITE](#)



ARMCHAIR

# LA MEDUSA ROUND METAL

## TECHNICAL SHEET

### FRAME

Shaped curved metal with White Soft Touch Dust, Black Soft Touch Dust, polished chrome or polished Gold finishing, with coordinated 3D Metal Medusa logo.

### SEAT

Wood padded with Polyurethane and Fiberfill.

### BACK CUSHION

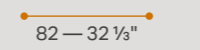
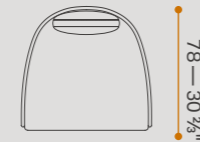
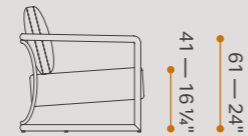
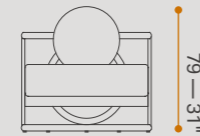
Polyurethane and polyester.

### COVER

Not removable fabric or leather cover, back cushion with removable cover.

### Armchair

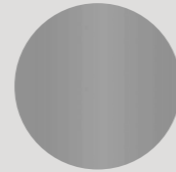
RRI (POL)



### Finishings - logo and metal



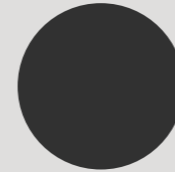
GOLD



CHROME



WHITE SOFT  
TOUCH DUST



BLACK SOFT  
TOUCH DUST

ARMCHAIR

# MEDUSA '95

Medusa '95 is a new take on a version of the House's signature Medusa that first debuted in the Versace Spring-Summer 1995 collection. It features the Medusa elevated between Grecian metal details and features here across a full selection of homeware. The Medusa '95 armchair has a round and enveloping shape and is supported by a swivel base that allows for movement and adaptability within its setting.

➤ [SEE ON WEBSITE](#)



ARMCHAIR

# MEDUSA '95

## TECHNICAL SHEET

### FRAME

Wood padded with Polyurethane, Fiberfill and feather, wooden seat frame with interwoven elastic bands padded with Polyurethane, Fiberfill and feather.

Armchair with wooden frame padded with Polyurethane and Fiberfill, wooden seat frame with interwoven elastic bands padded with Polyurethane and Fiberfill.

Frame base with leather belt and Icon big logo with belt loop, polished Gold, polished chrome or Bronze finishing.

### COVER

Not removable fabric or leather, not available with institutional panel fabrics. Leather belt on the frame.

### BASE

Armchair with black or white lacquered base, matt finishing.

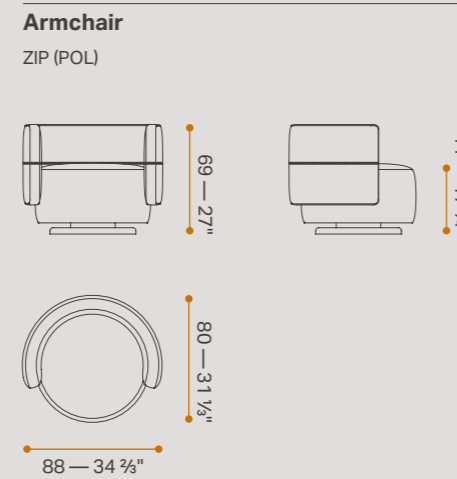
### OPTIONAL

Armchair base with swivel mechanism.

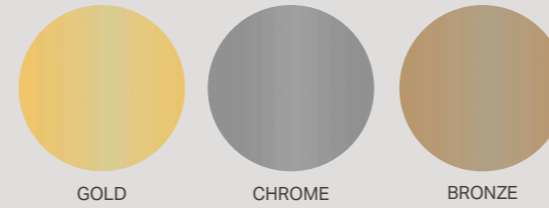
### OPTIONAL CUSHIONS

Back cushion 60×60 in feather with roll in Polyurethane and Fiberfill, removable fabric or leather cover with leather band and optional Metal logo, coordinated finishing.

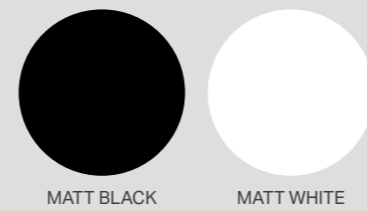
Back cushion 50×50 and 60×60 in feather, removable fabric or leather cover with leather band, optional Metal logo with coordinated finishing.



## Finishings - logo



## Lacquered - base



BIG ARMCHAIR

# MEDUSA '95

In this marvelous mix between a small sofa and an armchair, Versace Home offers an exclusive seating experience: the Medusa '95 big armchair. Available in a fixed and swivelling version, this armchair becomes the focus of any room with its fetching yet solemn appearance.

➤ [SEE ON WEBSITE](#)



BIG ARMCHAIR

# MEDUSA '95

## TECHNICAL SHEET

### FRAME

Wood padded with Polyurethane, Fiberfill and feather, wooden seat frame with interwoven elastic bands padded with Polyurethane, Fiberfill and feather.

Frame base with leather belt and Icon big logo with belt loop, polished Gold, polished chrome or Bronze finishing.

### COVER

Not removable fabric or leather, not available with institutional panel fabrics.

Leather belt on the frame.

### BASE

Armchair with black or white lacquered base, matt finishing.

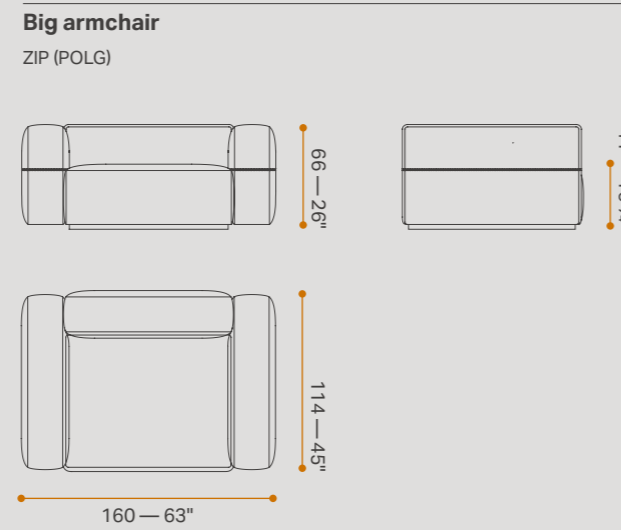
### OPTIONAL

Armchair base with swivel mechanism.

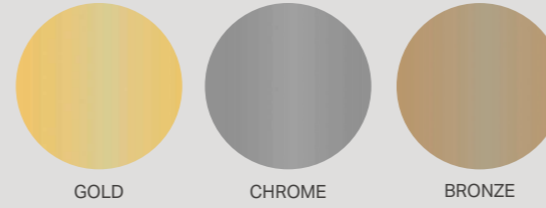
### OPTIONAL CUSHIONS

Back cushion 60×60 in feather with roll in Polyurethane and Fiberfill, removable fabric or leather cover with leather band and optional Metal logo, coordinated finishing.

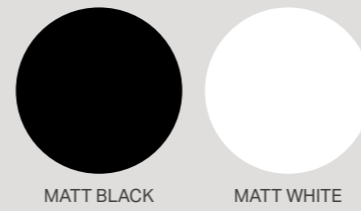
Back cushion 50×50 and 60×60 in feather, removable fabric or leather cover with leather band, optional Metal logo with coordinated finishing.



## Finishings - logo



## Lacquered - base



ARMCHAIR

# MEDUSA TRONO

An undisputed icon, the Medusa Trono armchair by Versace Home mixes a modern and youthful design and tailoring with beautifully detailed stitching.

➤ [SEE ON WEBSITE](#)



ARMCHAIR

# MEDUSA TRONO

## TECHNICAL SHEET

### FRAME

Curved wood and solid wood padded with Polyurethane and Fiberfill.

### SEAT CUSHIONS

Polyurethane and Fiberfill.

### BACK CUSHIONS

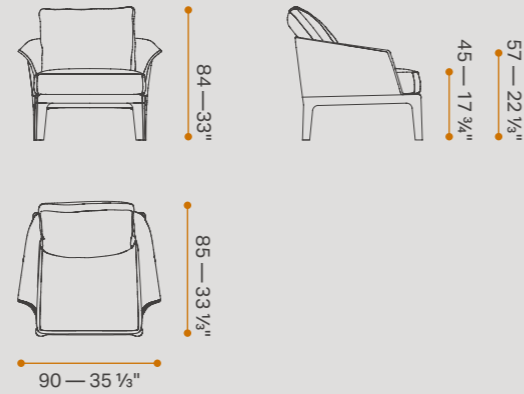
Polyurethane and feather.

### COVER

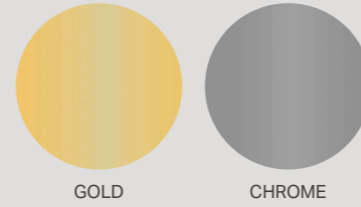
Frame with not removable leather cover, decorative metal zipper and metal Medusa logo with polished Gold or polished chrome finishing. Cushions with not removable fabric or leather cover with coordinated piping.

### Armchair

SOC (POL)



### Finishings - logo



ARMCHAIR

# STILETTO

In Stiletto armchair, Versace's forceful femininity is celebrated in every detail: from the undulating lines of the frame through to the feet recalling the iconic Stiletto heel. The deep, comfortable seat guarantees moments of relaxation.

➤ [SEE ON WEBSITE](#)



ARMCHAIR

# STILETTO

## TECHNICAL SHEET

### FRAME

Wood and composite material padded with Polyurethane and Fiberfill, seat with intervoven elastic bands.

3D Metal Medusa logo with polished Gold or polished chrome finishing.

### SEAT CUSHIONS

Feather, Polyurethane and Fiberfill.

### COVER

Not removable in fabric or leather.

Piping on the frame and on the seat cushions in coordinated microfibre with velvet cover, in fabric with fabric cover or in leather with leather cover.

### BASE

Aluminium with matt Satin Grey finishing.

### OPTIONAL

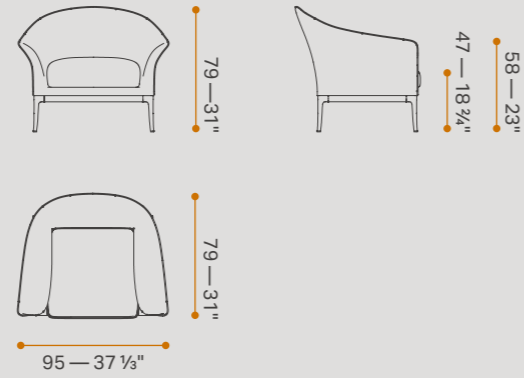
Medusa logo embroidery on the internal back.

### OPTIONAL CUSHIONS

Headrest cushion in Polyurethane, with removable fabric or leather cover. Available only for the bergere armchair HEE (POLA) with optional Medusa logo embroidery.

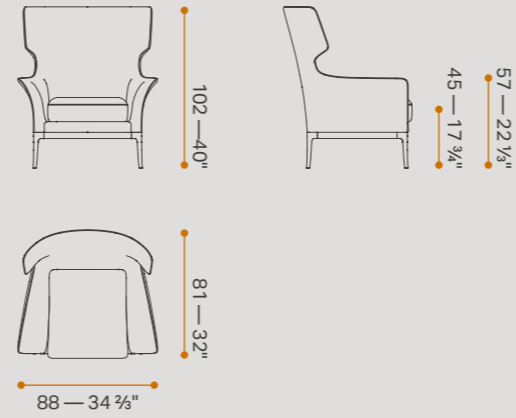
### Armchair

HEE (POL)



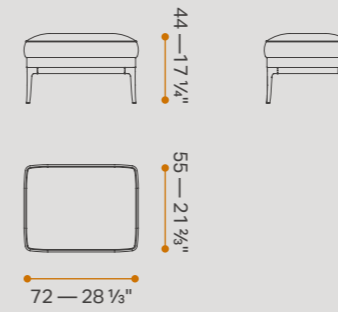
### Bergere armchair

HEE (POLA)

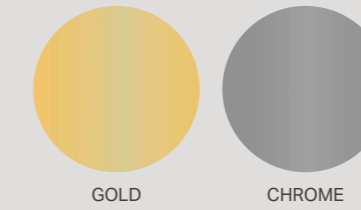


### Footrest

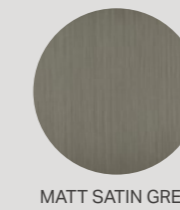
HEE (POU3)



### Finishings - logo



### Finishing - base



ARMCHAIR

# VERSACE VENUS

The asymmetric design of Versace Venus armchair is embellished with a gleaming zip on the reverse adorned with a metal Medusa logo. Steel with polished Gold or polished chrome finishing touches reference the brand's penchant for hardware.

➤ [SEE ON WEBSITE](#)



ARMCHAIR

# VERSACE VENUS

## TECHNICAL SHEET

### FRAME

Wood and composite material padded with Polyurethane and Fiberfill.

### COVER

Not removable leather.

Alternative version with fabric cover in Aplomb, Barocco Chenille 001 Pure White, Barocco Chenille 002 Intense Black, My Fluffy Faux Fur 002 Solid Black o Gwendoline 001 Hyper white.

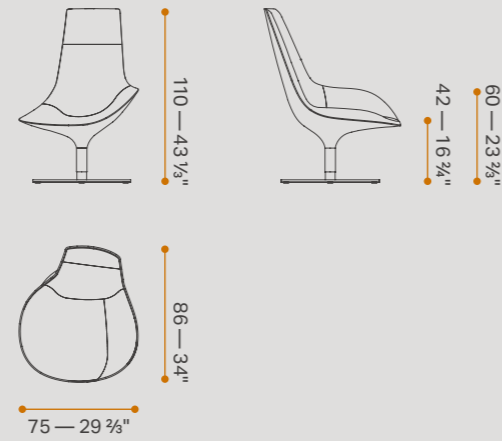
Steel decorative zipper with 3D Metal Medusa in polished Gold or polished chrome finishing.

### BASE

Steel with polished Gold or polished chrome finishing and swivel mechanism.

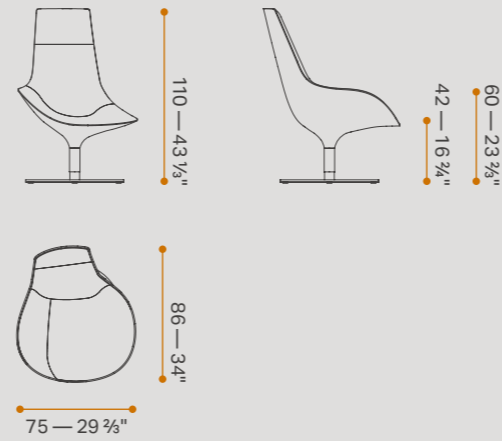
### Right armrest

POV (01)

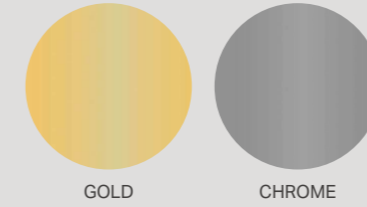


### Left armrest

POV (01A)



### Finishings - logo and base



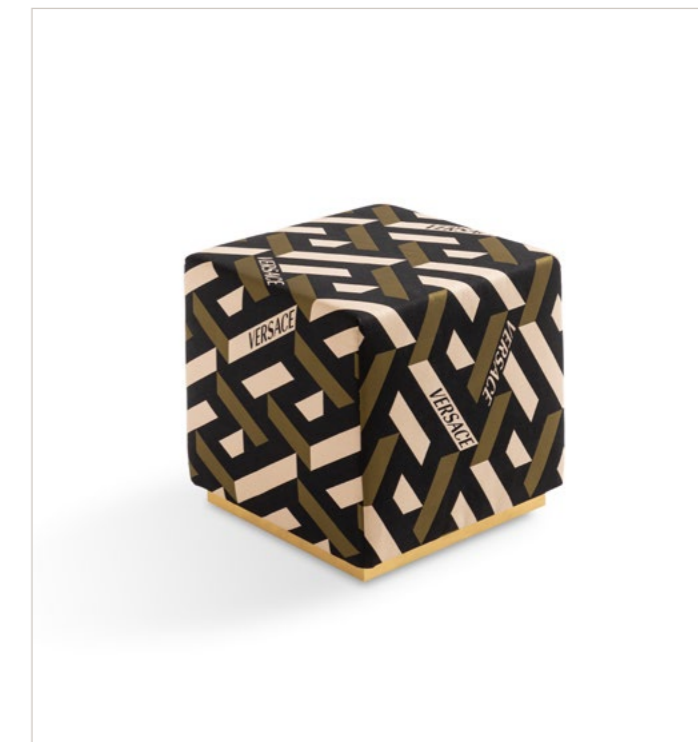
**OTTOMANS**

OTTOMAN

# CARRÉ

This cube-shaped ottoman features a wooden frame and a matt Gold-finished steel base. The cover is available in a range of fabrics, including a striking jacquard with the iconic Greca pattern or soft velvet, which is enhanced by the signature 3D Metal Medusa logo in polished Gold.

[SEE ON WEBSITE](#)



OTTOMAN  
**CARRÉ**

TECHNICAL SHEET

**FRAME**

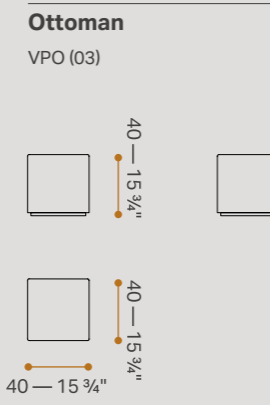
Wood padded with Polyurethane and Fiberfill.

**BASE**

Steel with matt Gold finishing.

**COVER**

Not removable fabric. 3D Metal Medusa logo, with polished Gold finishing only on the velvet cover.



**Finishing - base**



MATT GOLD

**Finishing - logo**



GOLD

OTTOMAN-STOOL

# STILETTO

Stiletto ottoman-stool by Versace Home, along with the whole namesake line of interior furnishings, is a tribute to the iconic Stiletto heel, the embodiment of forceful femininity at its best.

➤ [SEE ON WEBSITE](#)



OTTOMAN-STOOL  
**STILETTO**

TECHNICAL SHEET

**FRAME**

Aluminium Satin Grey varnished with matt finishing.

**SEAT CUSHION**

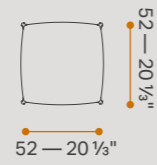
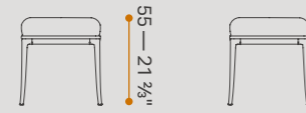
Wood padded with Polyurethane and Fiberfill.

**COVER**

Not removable fabric or leather cover.

**Ottoman-stool**

HEE (SGA)



**Finishing - frame**



MATT SATIN GREY

**BEDS**

BED

# LA GRECA

The essence of Versace Home design is expressed through the upholstered headboard accentuated by a central leather band, embellished with a metal logo in polished gold or polished chrome. The upholstered frame, composed of side panels, with the base showcase refined aesthetics and exceptional technical details. It can be upholstered in non-removable fabric or leather for maximum customisation.

[SEE ON WEBSITE](#)



# LA GRECA

## TECHNICAL SHEET

### HEADBOARD/LATERAL SIDES

Wood padded with Polyurethane and Fiberfill.  
Central decoration with leather belt and La Greca logo, with polished chrome or polished Gold finishing.  
Lateral sides with steel details in polished chrome or polished Gold finishing.

### BASE FRAME

Detachable wooden panels assembled with metal elements and covered with Polyurethane.

### BED BASE

Beech wooden slats.

### COVER

Not removable fabric or leather cover, with central leather belt.  
Fabric cover version with back headboard in fabric, leather cover version with back headboard in lining.  
Bed base with removable cover.

### BASE/FEET

Wood base with polished chrome or polished Gold finishing.  
Solid wooden feet dark stained.

### OPTIONAL 1-2

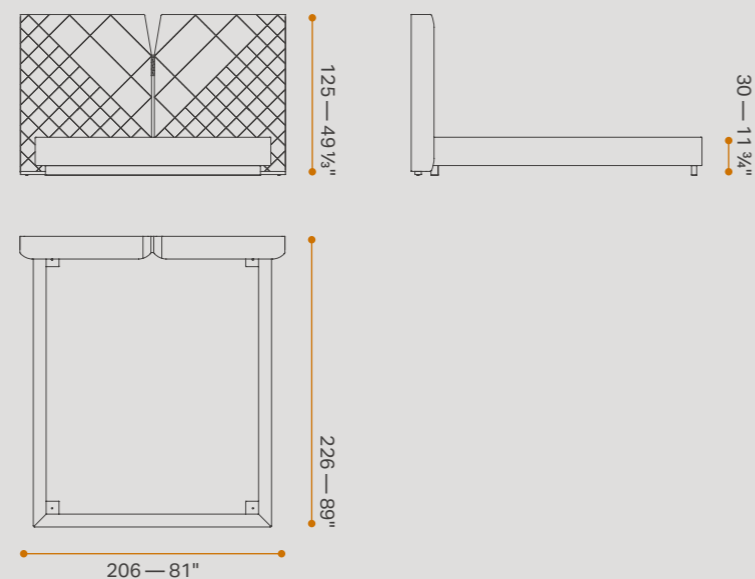
Greca quilting on the headboard (1) and/or on lateral sides (2).

### OPTIONAL 3

Back headboard covered in leather.

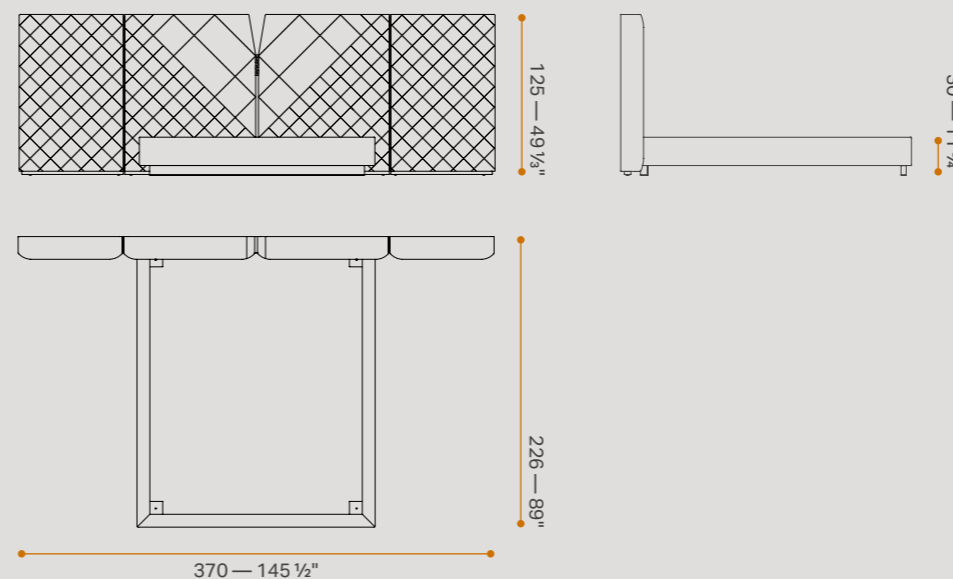
### Bed for mattress 165×200 cm (65×78 2/3")

GR1 (LE1)

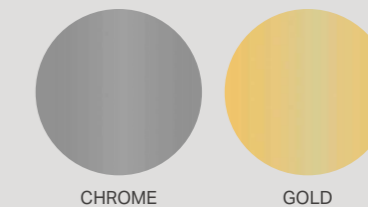


### Bed for mattress 165×200 cm (65×78 2/3") - with two lateral sides

GR1 (LE1) + GR1 (SPO)

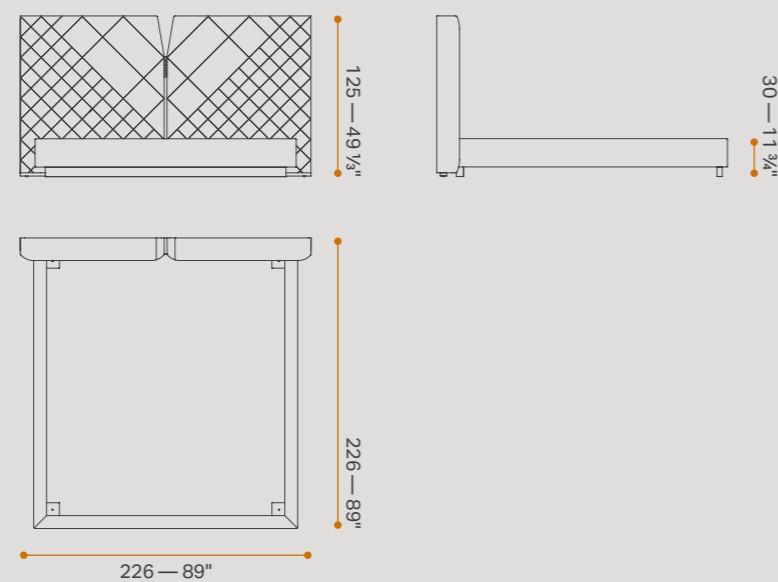


### Finishings - logo, details and base



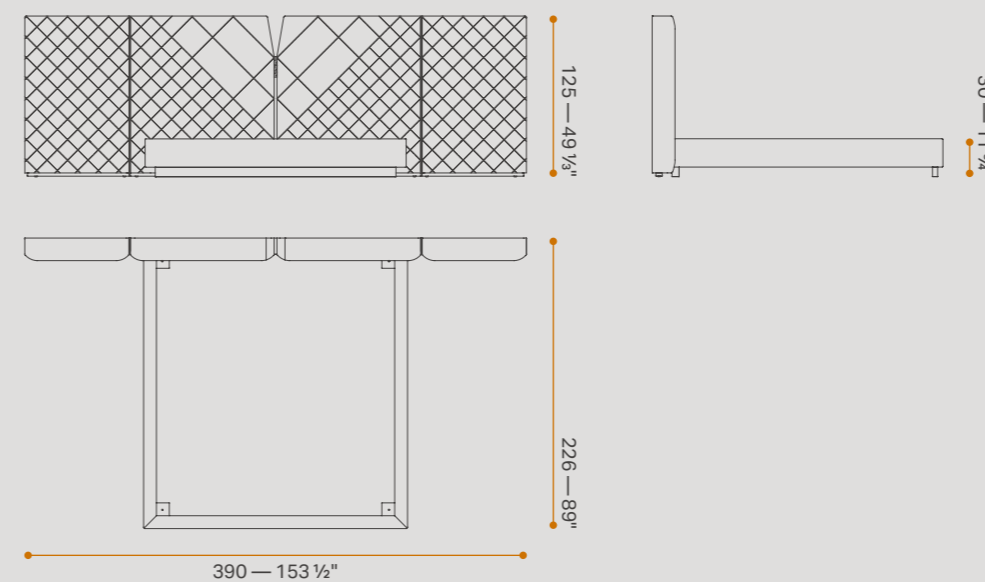
### Bed for mattress 185×200 cm (73×78 2/3")

GR1 (LE2)



### Bed for mattress 185×200 cm (73×78 2/3") - with two lateral sides

GR1 (LE2) + GR1 (SPO)



# LA GRECA

## TECHNICAL SHEET

### HEADBOARD/LATERAL SIDES

Wood padded with Polyurethane and Fiberfill.  
 Central decoration with leather belt and La Greca logo, with polished chrome or polished Gold finishing.  
 Lateral sides with steel details in polished chrome or polished Gold finishing.

### BASE FRAME

Detachable wooden panels assembled with metal elements and covered with Polyurethane.

### BED BASE

Beech wooden slats.

### COVER

Not removable fabric or leather cover, with central leather belt.  
 Fabric cover version with back headboard in fabric, leather cover version with back headboard in lining.  
 Bed base with removable cover.

### BASE/FEET

Wood base with polished chrome or polished Gold finishing.  
 Solid wooden feet dark stained.

### OPTIONAL 1-2

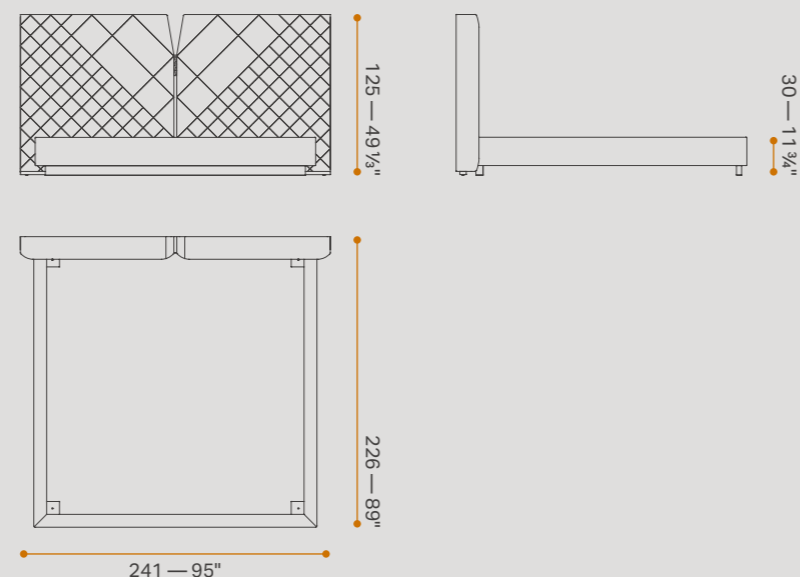
Greca quilting on the headboard (1) and/or on lateral sides (2).

### OPTIONAL 3

Back headboard covered in leather.

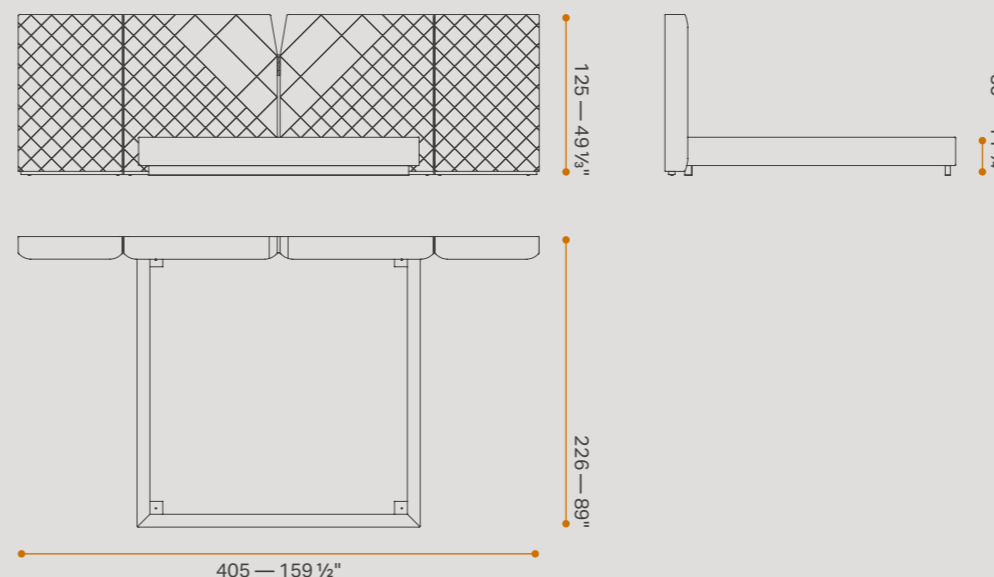
### Bed for mattress 200×200 cm (78 2/3×78 2/3")

GR1 (LE7)

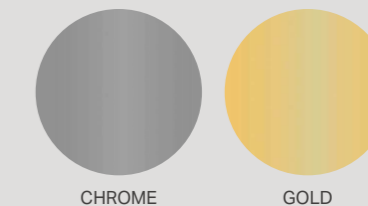


### Bed for mattress 200×200 cm (78 2/3×78 2/3") - with two lateral sides

GR1 (LE7) + GR1 (SPO)

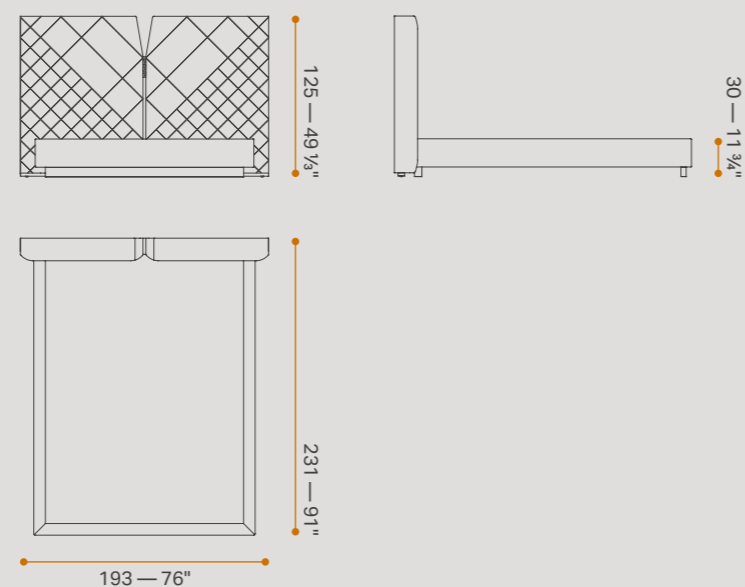


### Finishings - logo, details and base



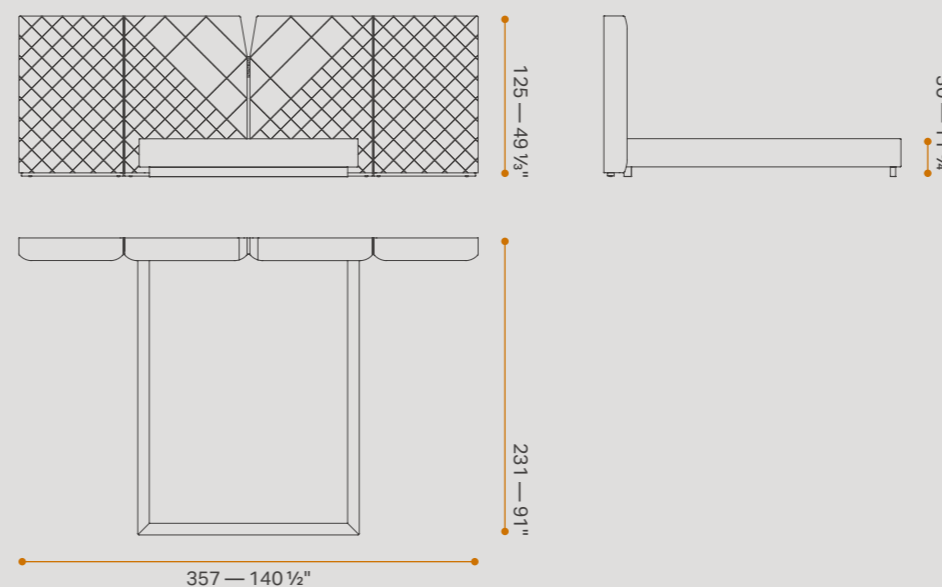
### Bed for mattress Queen USA 152×205 cm (60×80 2/3")

GR1 (QUSA)



### Bed for mattress Queen USA 152×205 cm (60×80 2/3") - with two lateral sides

GR1 (QUSA) + GR1 (SPO)



# LA GRECA

## TECHNICAL SHEET

### HEADBOARD/LATERAL SIDES

Wood padded with Polyurethane and Fiberfill.  
 Central decoration with leather belt and La Greca logo, with polished chrome or polished Gold finishing.  
 Lateral sides with steel details in polished chrome or polished Gold finishing.

### BASE FRAME

Detachable wooden panels assembled with metal elements and covered with Polyurethane.

### BED BASE

Beech wooden slats.

### COVER

Not removable fabric or leather cover, with central leather belt.  
 Fabric cover version with back headboard in fabric, leather cover version with back headboard in lining.  
 Bed base with removable cover.

### BASE/FEET

Wood base with polished chrome or polished Gold finishing.  
 Solid wooden feet dark stained.

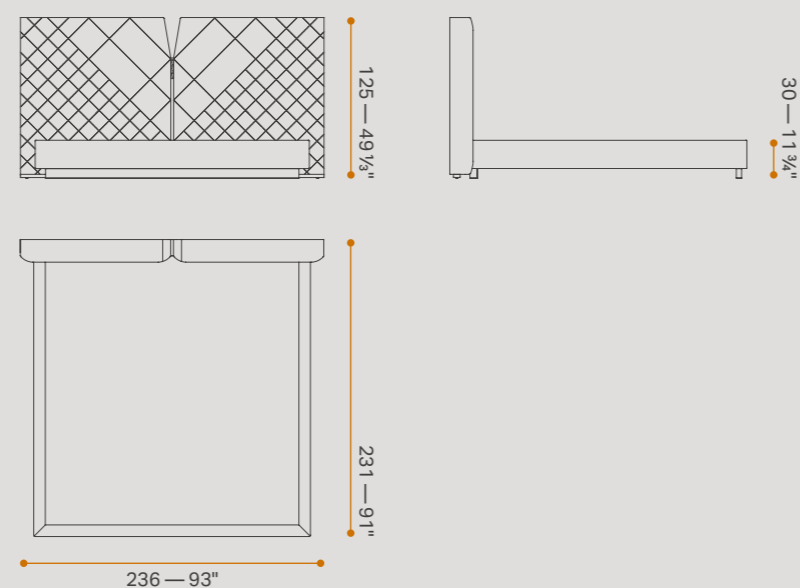
### OPTIONAL 1-2

Greca quilting on the headboard (1) and/or on lateral sides (2).

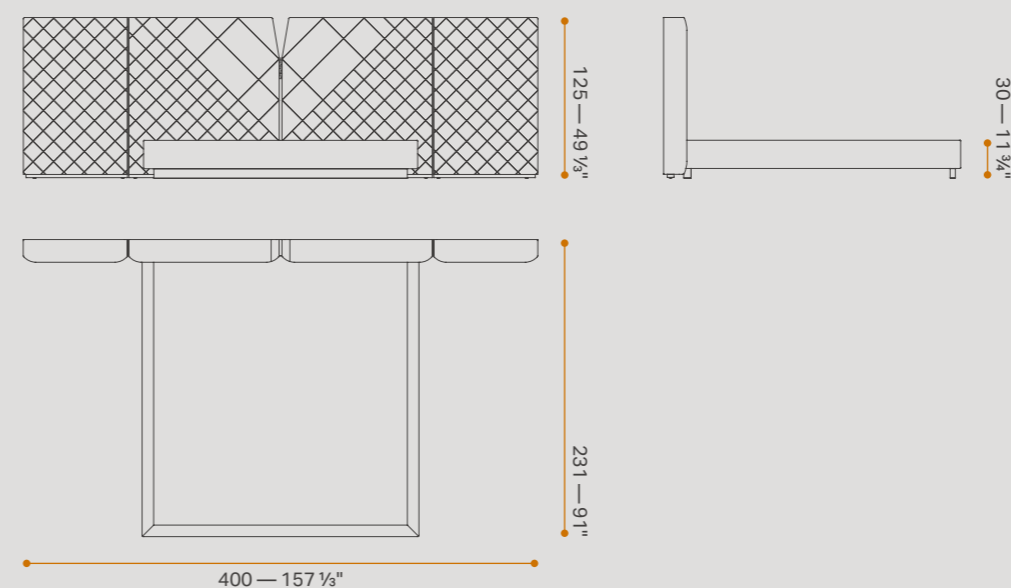
### OPTIONAL 3

Back headboard covered in leather.

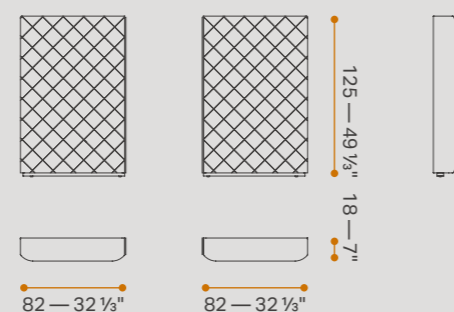
**Bed for mattress King USA 195×205 cm (76 2/3×80 2/3")**  
 GR1 (KUSA)



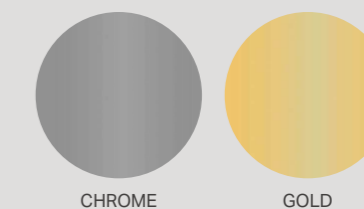
**Bed for mattress King USA 195×205 cm (76 2/3×80 2/3") - with two lateral sides**  
 GR1 (KUSA) + GR1 (SPO)



**Headboard lateral sides**  
 GR1 (SPO)



## Finishings - logo, details and base



BED

# LA MEDUSA

An undisputed icon, the La Medusa melds a modern and youthful design and tailoring with beautifully detailed stitching. The bed is covered in fabric or leather with application of 3D Metal Medusa logo with polished Gold finishing.

➤ [SEE ON WEBSITE](#)



# LA MEDUSA

## TECHNICAL SHEET

### HEADBOARD

Wood padded with Polyurethane and Fiberfill.  
Quilting padded with Polyester fibre.

### BASE FRAME

Detachable wooden panels assembled with metal elements and covered with Polyurethane and Fiberfill.

Quilting padded with Polyester fibre.

Fabric version: 3D Metal Medusa logo with polished Gold finishing.

Leather version: with stitched leather application and 3D Metal Medusa logo with polished Gold finishing.

### BED BASE

Beech wooden slats.

### COVER

Not removable fabric or leather. Back headboard in fabric for fabric cover version, back headboard with lining for leather cover version.

### FEET

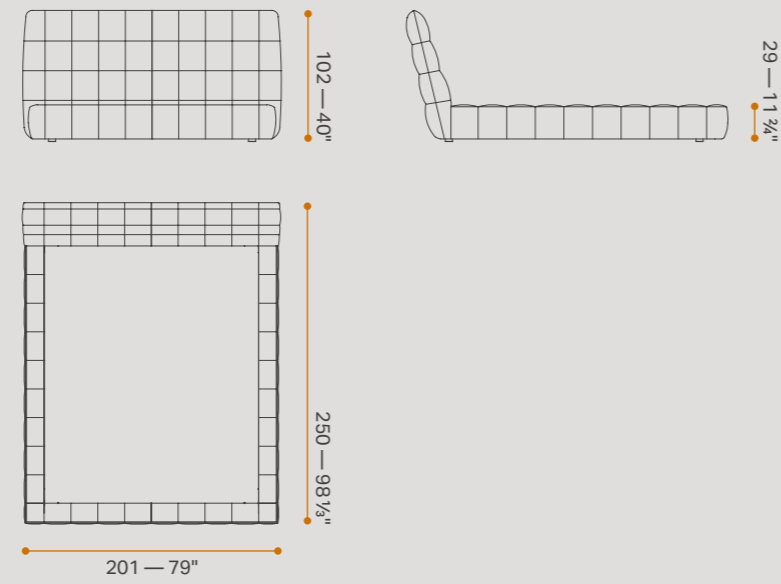
Wood wengé stained.

### OPTIONAL

Back headboard covered in leather.

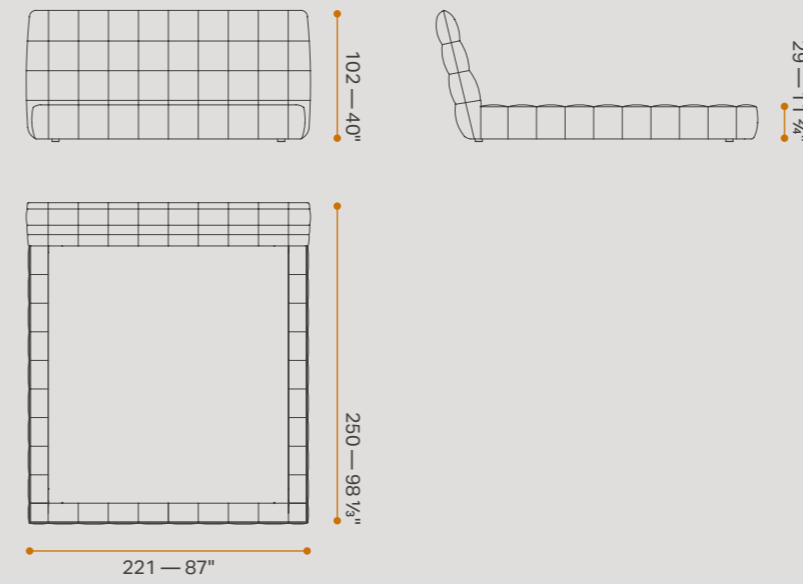
### Bed for mattress 165×200 cm (65×78 2/3")

SCO (LE1)



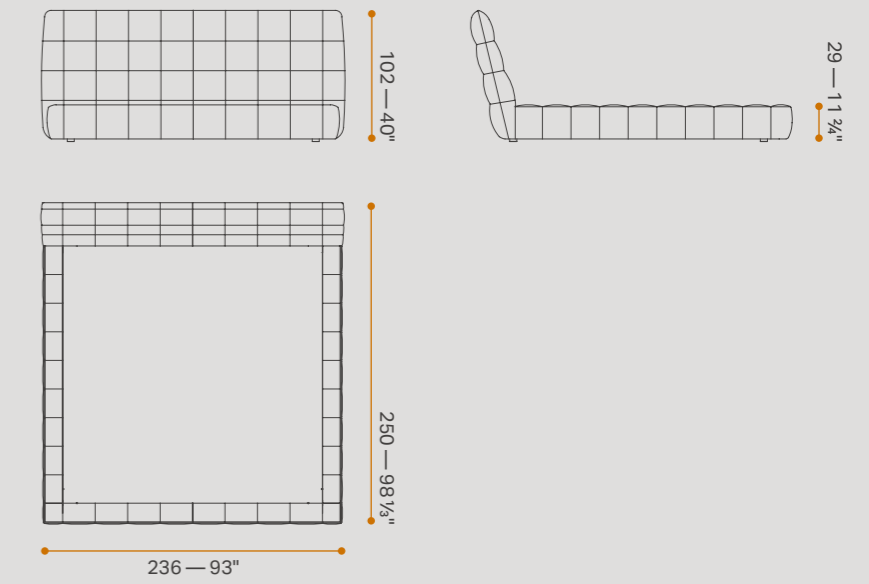
### Bed for mattress 185×200 cm (73×78 2/3")

SCO (LE2)



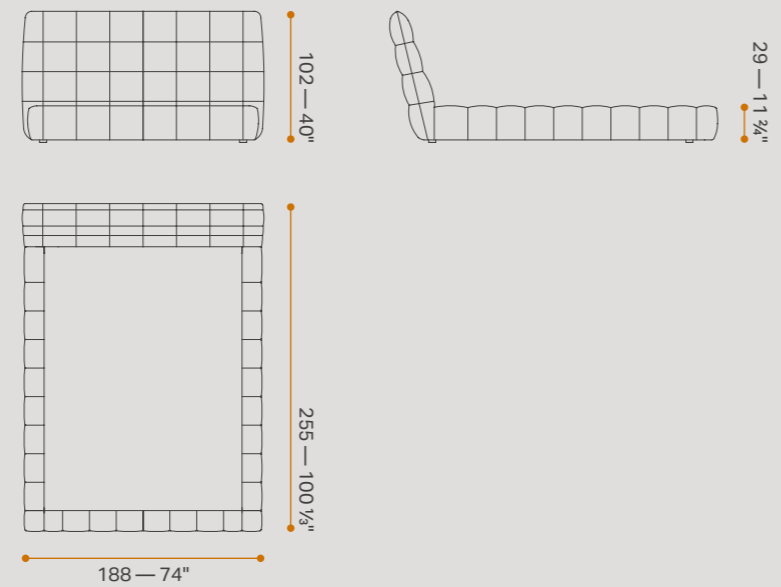
### Bed for mattress 200×200 cm (78 2/3×78 2/3")

SCO (LE7)



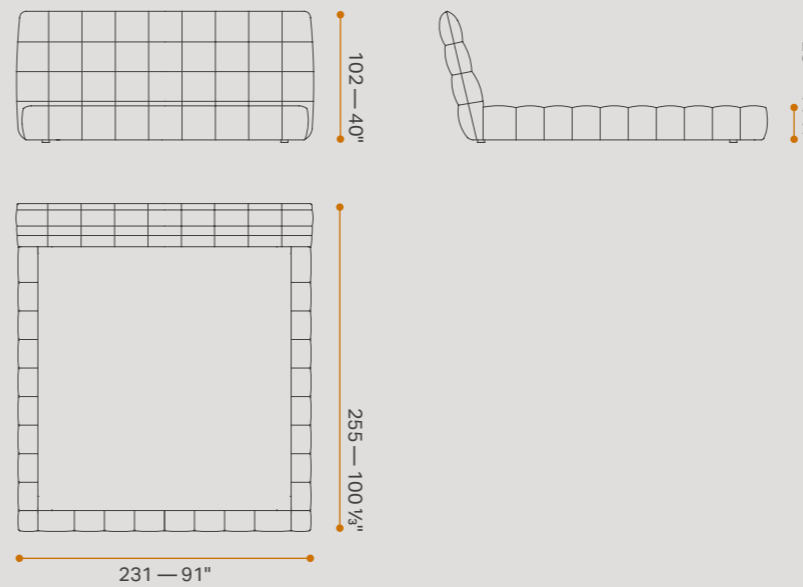
### Bed for mattress Queen USA 152×205 cm (60×80 2/3")

SCO (QUSA)



### Bed for mattress King USA 195×205 cm (76 2/3×80 2/3")

SCO (KUSA)



### Finishing - logo



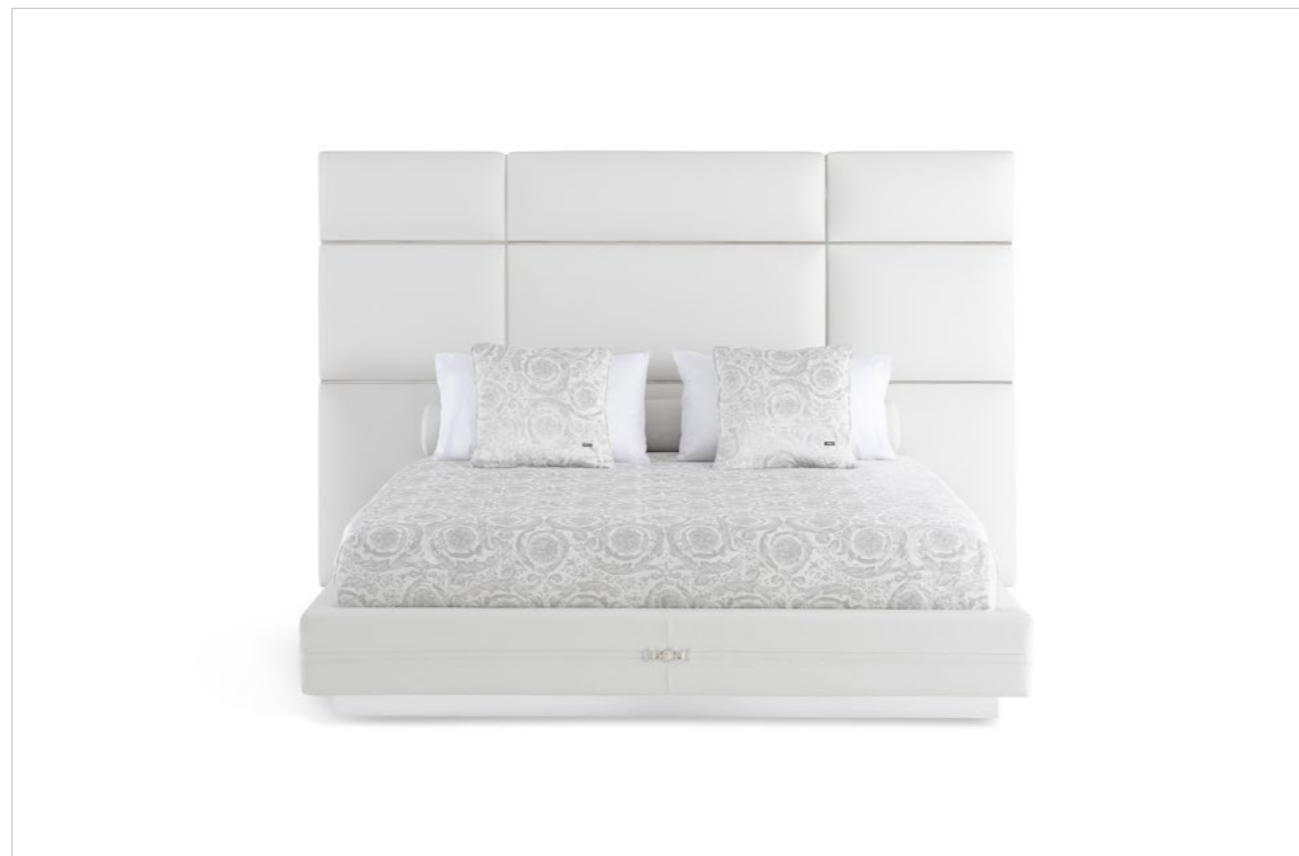
GOLD

BED

# MEDUSA '95

In the Medusa '95 bed, Versace's aesthetic vision and stylistic codes are reflected in the metallic logo detail decorating the base. The frame features an upholstered headboard enriched with clad panels and steel profiles in a polished chrome or polished gold finish. The upholstery can be customised with non-removable fabric or leather, with a removable cover on the base.

[SEE ON WEBSITE](#)



# MEDUSA '95

## TECHNICAL SHEET

### HEADBOARD

Wood padded with Polyurethane and Fiberfill. Padded panels with steel profiles in polished chrome or polished Gold finishing.

### BASE FRAME

Detachable wooden panels assembled with metal elements and covered with Polyurethane. Leather belt and Icon logo with belt loop, finishing coordinated with the headboard details finishing.

### BED BASE

Beech wooden slats.

### COVER

Not removable fabric or leather cover, back headboard with lining. Bed base with removable cover.

### BASE/FEET

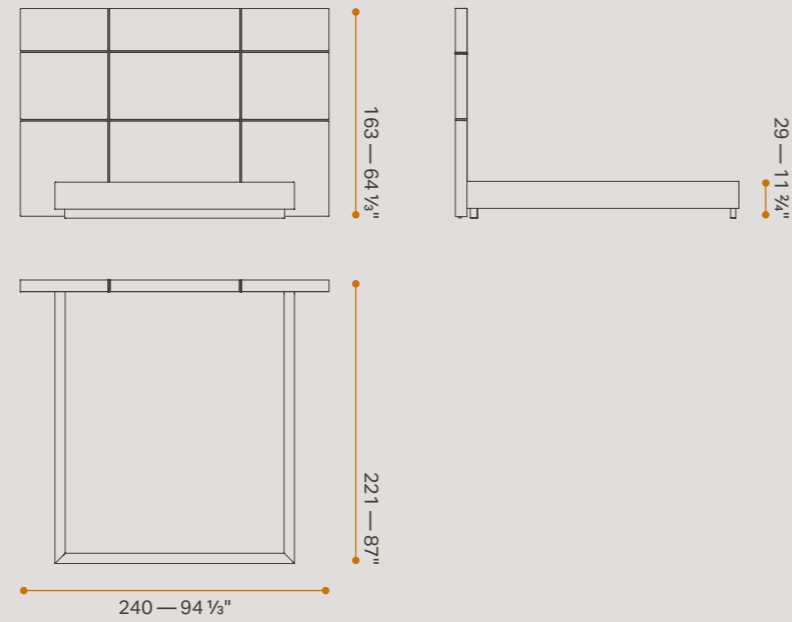
Wood base with polished chrome or polished Gold. Solid wooden feet dark stained.

### OPTIONAL

Back headboard covered in fabric or leather.

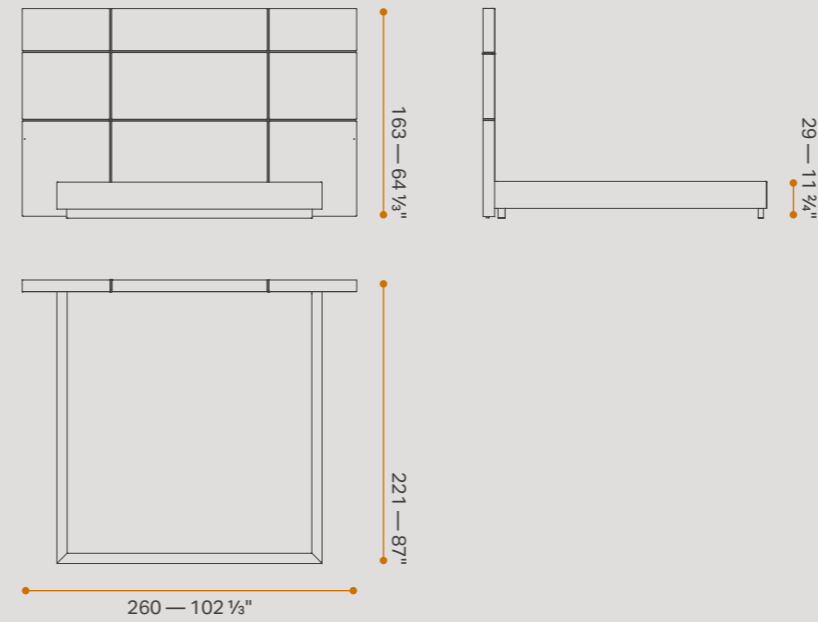
### Bed for mattress 165×200 cm (65×78 2/3")

GRI (LE1)



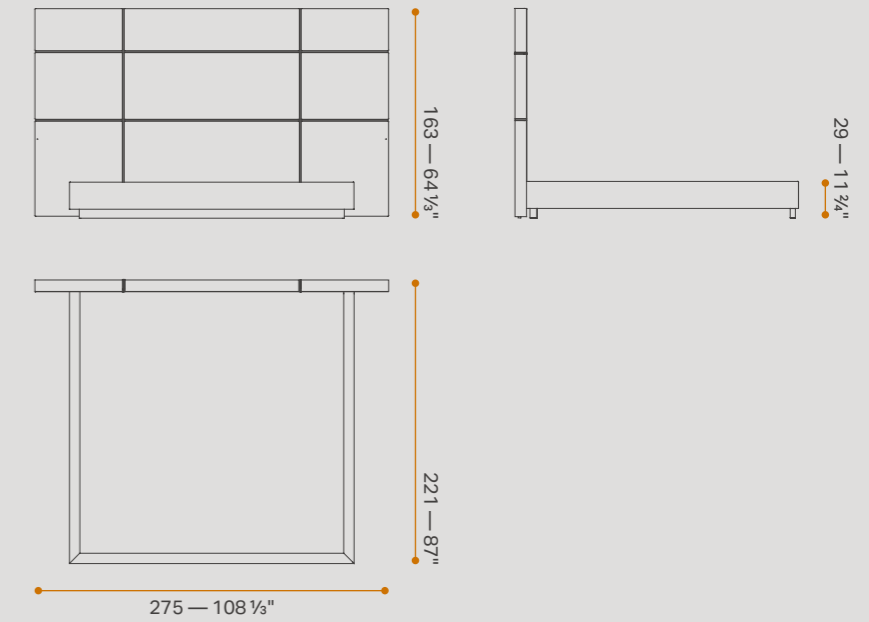
### Bed for mattress 185×200 cm (73×78 2/3")

GRI (LE2)



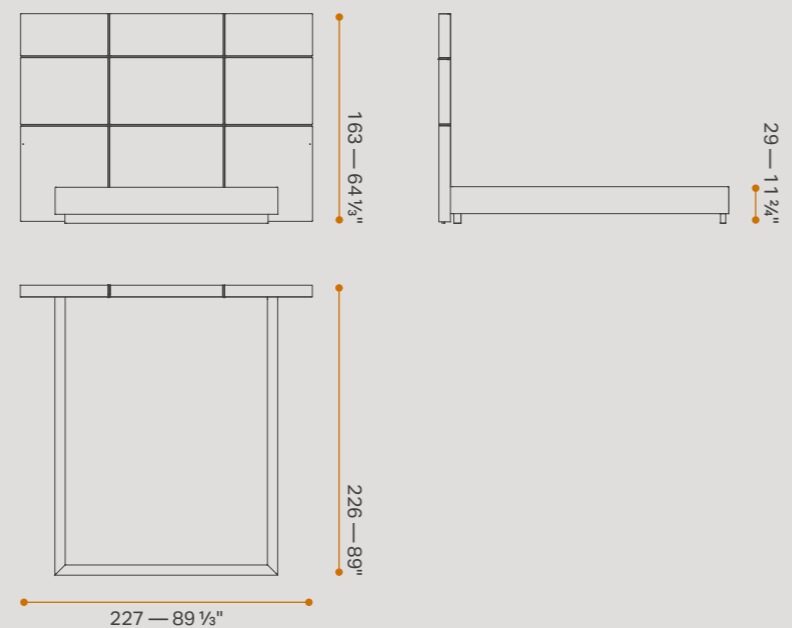
### Bed for mattress 200×200 cm (78 2/3×78 2/3")

GRI (LE7)



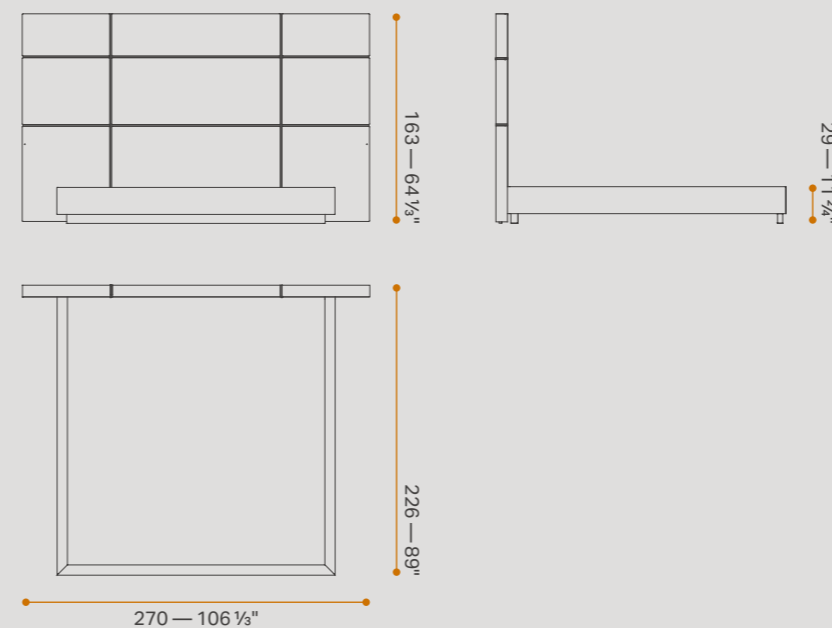
### Bed for mattress Queen USA 152×205 cm (60×80 2/3")

GRI (QUSA)

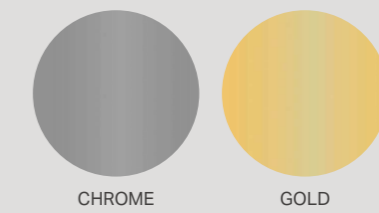


### Bed for mattress King USA 195×205 cm (76 2/3×80 2/3")

GRI (KUSA)



### Finishings - logo, details and base

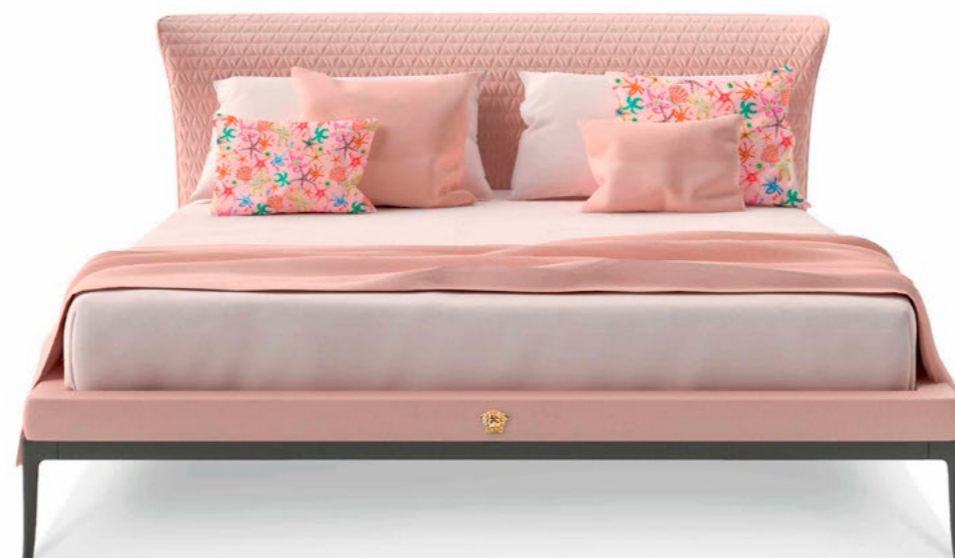


BED

# STILETTO

The rebellious, sophisticated Stiletto bed sports unmistakable shapes. Versace's forceful femininity is celebrated in every detail, from the undulating lines of the frame to the feet which recall the iconic Stiletto heel. The cover is available in fabric or leather, with optional V-shape logo quilting on the headboard front.

➤ [SEE ON WEBSITE](#)



# STILETTO

## TECHNICAL SHEET

### HEADBOARD

Wood padded with Polyurethane and Fiberfill.

### BASE FRAME

Detachable wooden panels, assembled with metal elements and covered with Polyurethane and Fiberfill.

3D Metal Medusa logo with polished Gold or polished chrome finishing.

### BED BASE

Beech wooden slats.

### COVER

Not removable fabric or leather. Fabric piping on front headboard covered in fabric, microfibre piping on front headboard covered in velvet, leather piping on front headboard covered in leather. Back headboard covered in fabric coordinated with the front, or in lining for version with front headboard covered in leather.

### FEET/BASE

Feet and base profiles in aluminium with Satin Grey finishing.

### OPTIONAL 1

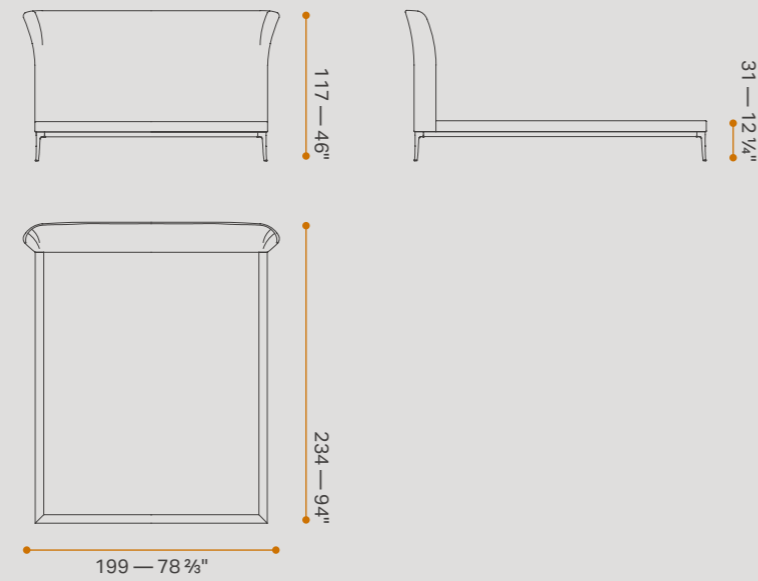
Headboard front with V-Shape logo quilting.

### OPTIONAL 2

Back headboard covered with leather.

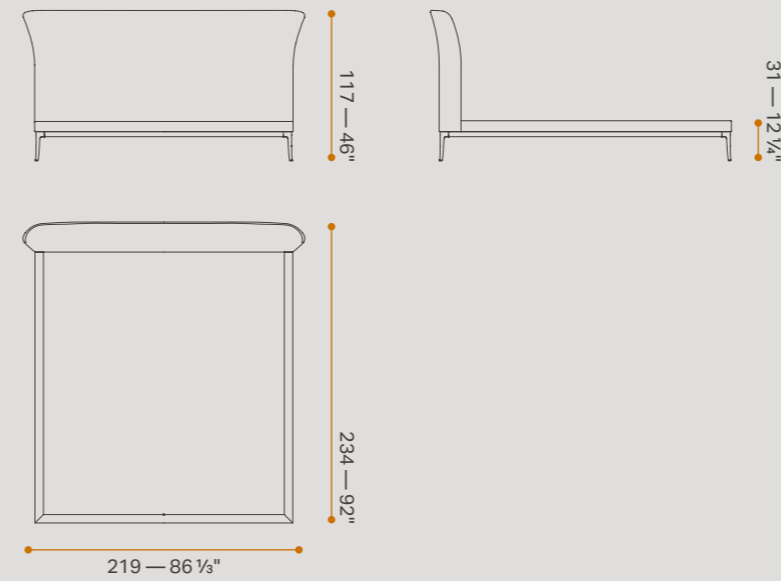
### Bed for mattress 165×200 cm (65×78 2/3")

HEE (LE1)



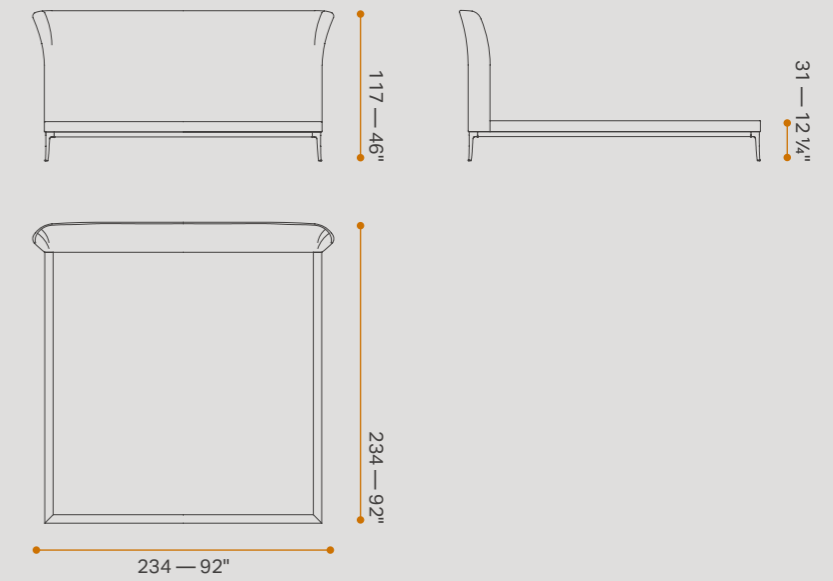
### Bed for mattress 185×200 cm (73×78 2/3")

HEE (LE2)



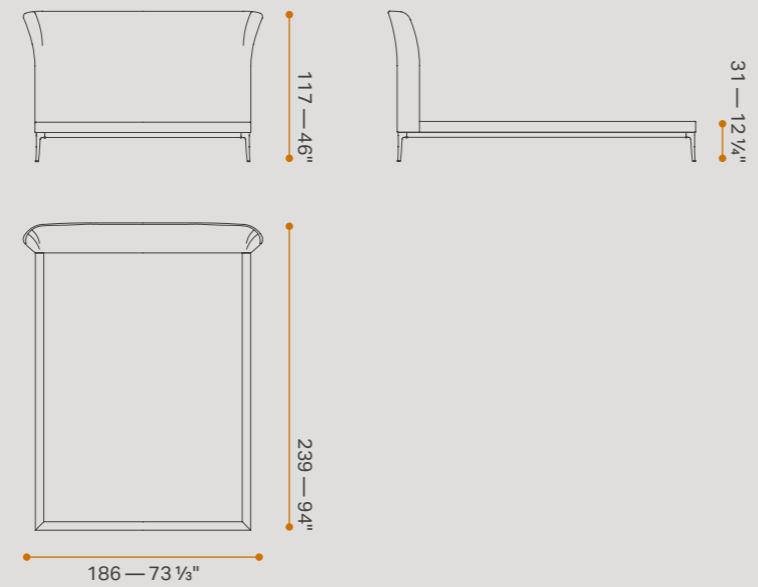
### Bed for mattress 200×200 cm (78 2/3×78 2/3")

HEE (LE7)



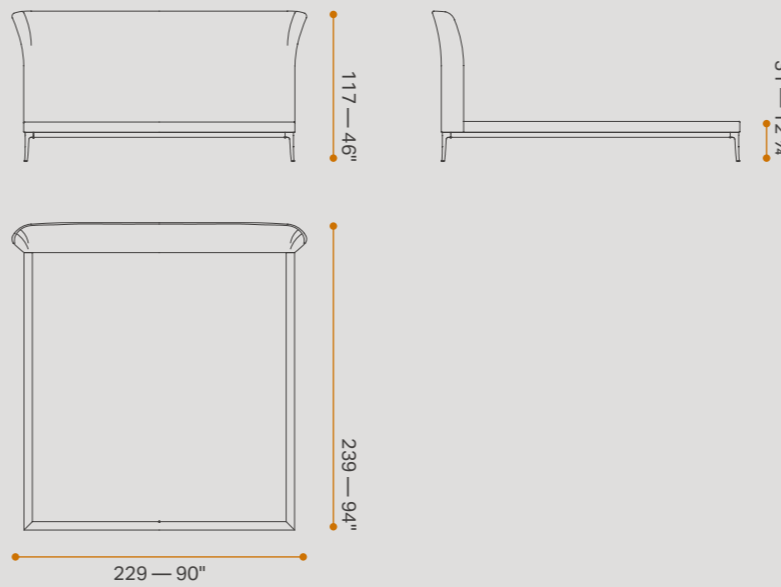
### Bed for mattress Queen USA 152×205 cm (60×80 2/3")

HEE (QUSA)

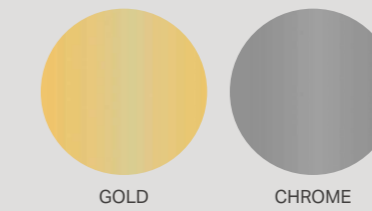


### Bed for mattress King USA 195×205 cm (76 2/3×80 2/3")

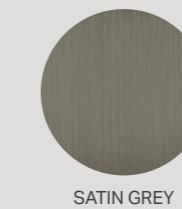
HEE (KUSA)



### Finishings - logo



### Finishings - feet and base



BED

# STILETTO 22 HIGH

The visually stunning Stiletto 22 High bed by Versace Home celebrates Versace's forceful femininity in every detail, from the 3D Metal Medusa logo with polished Gold or polished chrome finishing, to the undulating lines of the frame and the feet which recall the iconic Stiletto heel. The cover is available in fabric or leather, with optional V-shape logo quilting on the headboard.

➤ [SEE ON WEBSITE](#)



BED

# STILETTO 22 HIGH

TECHNICAL SHEET

**HEADBOARD**

Wood padded with Polyurethane and Fiberfill.

**BASE FRAME**

Detachable wooden panels, assembled with metal elements and covered with Polyurethane and Fiberfill.

3D Metal Medusa logo with polished Gold or polished chrome finishing.

**BED BASE**

Beech wooden slats.

**COVER**

Not removable fabric or leather. Fabric piping on front headboard covered in fabric, microfibre piping on front headboard covered in velvet, leather piping on front headboard covered in leather. Back headboard covered in fabric coordinated with the front, or in lining for version with front headboard covered in leather.

**FEET/BASE**

Feet and base profiles in aluminium with Satin Grey finishing.

**OPTIONAL 1**

Headboard front with V-Shape logo quilting.

**OPTIONAL 2**

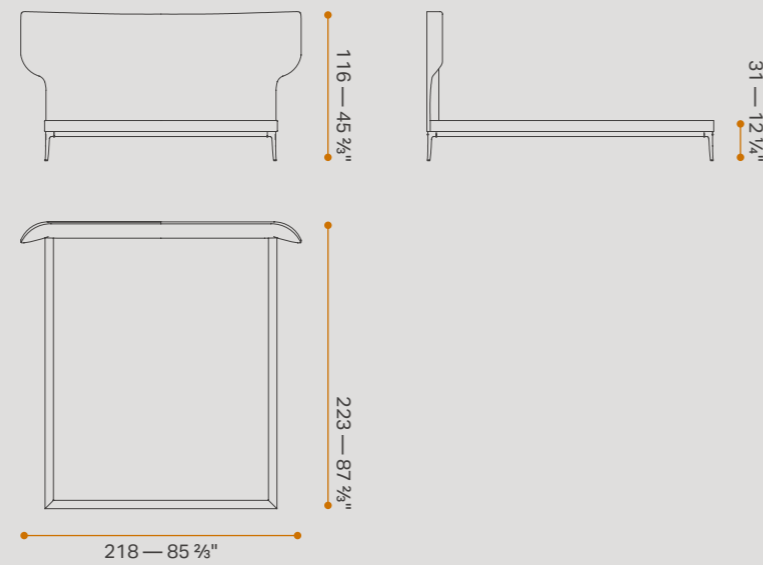
Back headboard covered in leather.

**OPTIONAL 3**

Headboard front with Medusa embroidery (not available with optional 1).

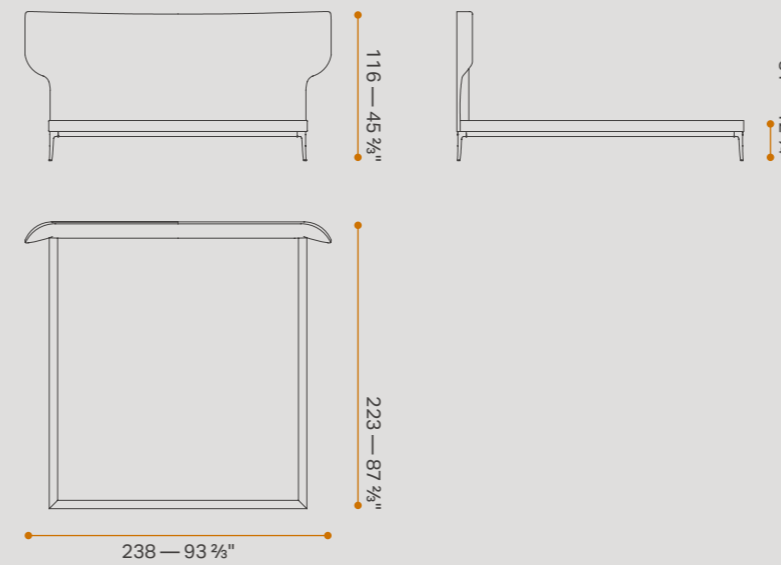
**Bed for mattress 165×200 cm (65×78 2/3")**

HE2 (LE1)



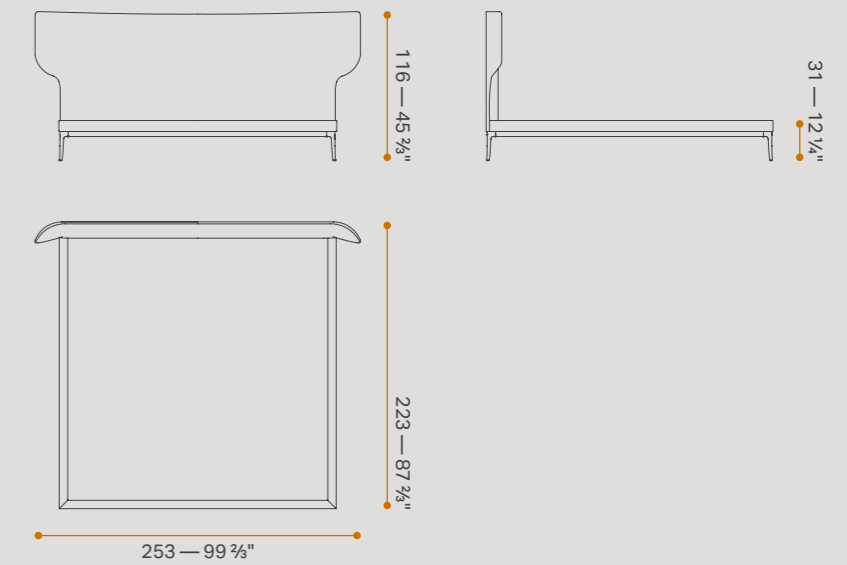
**Bed for mattress 185×200 cm (73×78 2/3")**

HE2 (LE2)



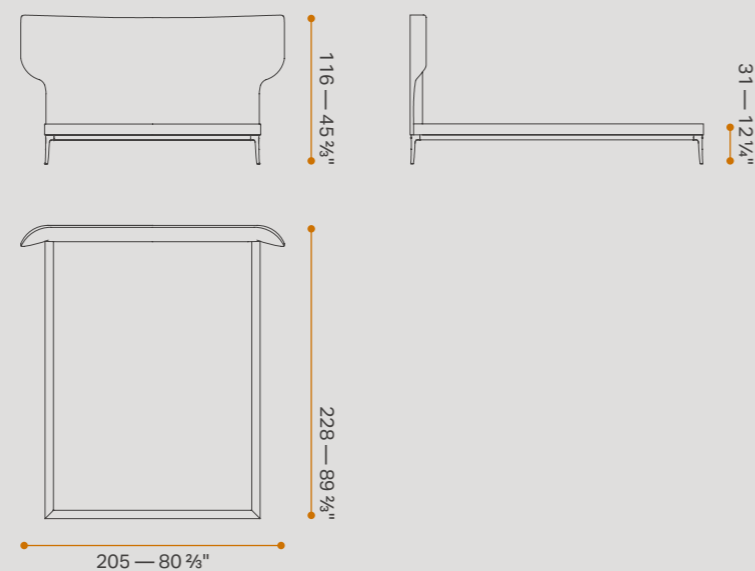
**Bed for mattress 200×200 cm (78 2/3×78 2/3")**

HE2 (LE7)



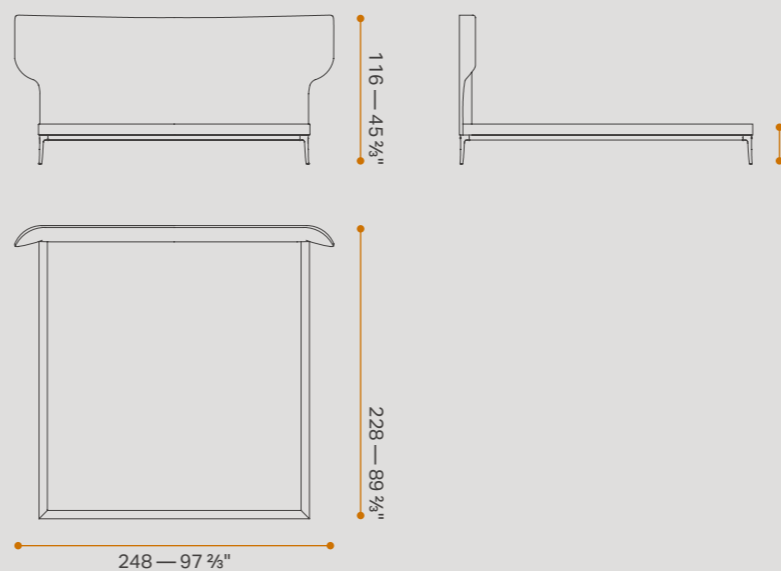
**Bed for mattress Queen USA 152×205 cm (60×80 2/3")**

HE2 (QUSA)

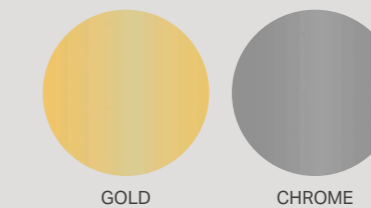


**Bed for mattress King USA 195×205 cm (76 2/3×80 2/3")**

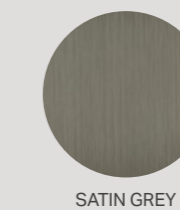
HE2 (KUSA)



**Finishings - logo**



**Finishings - feet and base**



BED

# V-KING

Refined and elegant, V-King bed by Versace Home stands out for the impressive dimensions of the headboard. The lateral sides are optional, as is the V-shaped quilting. The Barocco V Metal logo is iconic, to be applied to the headboard or lateral side, with polished Gold finishing. The brass hinges come in a polished finishing.

➤ [SEE ON WEBSITE](#)



# V-KING

## TECHNICAL SHEET

### HEADBOARD/LATERAL SIDES

Wood and aluminium padded with Polyurethane and Fiberfill. Barocco V Metal logo with polished Gold finishing on the headboard or on the lateral side.

Brass hinges with polished finishing.

Detachable lateral sides.

### BASE FRAME

Detachable wooden panels, assembled with metal elements and covered with Polyurethane and Fiberfill.

### BED BASE

Beech wooden slats.

### COVER

Fabric or leather. Not removable headboard cover, removable base cover.

Headboard back with lining, lateral sides back coordinated with frontal cover.

### FEET

Wood wengé stained.

### OPTIONAL 1

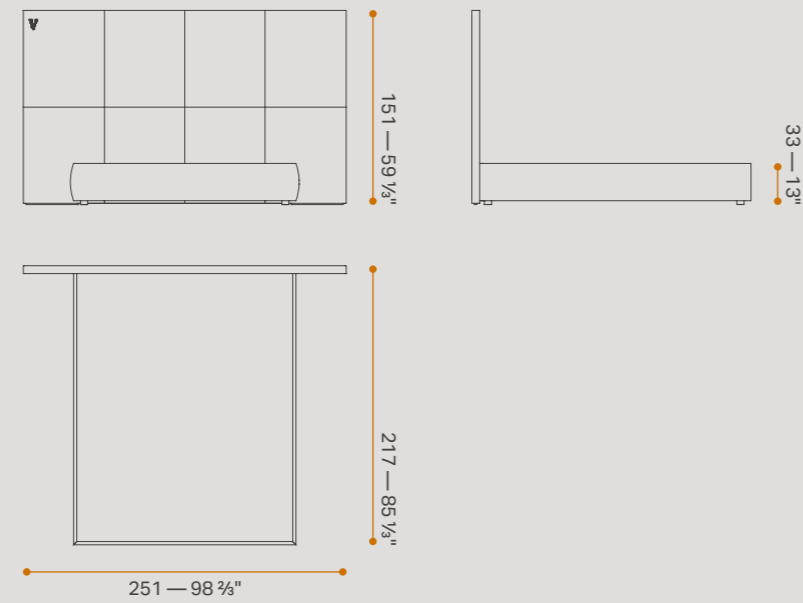
V-Shape logo quilting on the front headboard and/or on the lateral sides.

### OPTIONAL 2

Back headboard covered in fabric or leather.

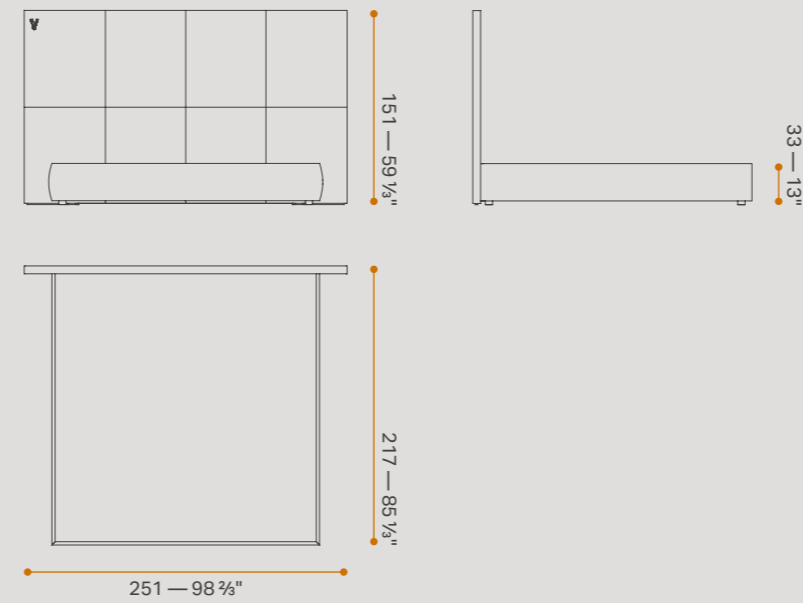
### Bed for mattress 165×200 cm (65×78 2/3")

SLE (LE1)



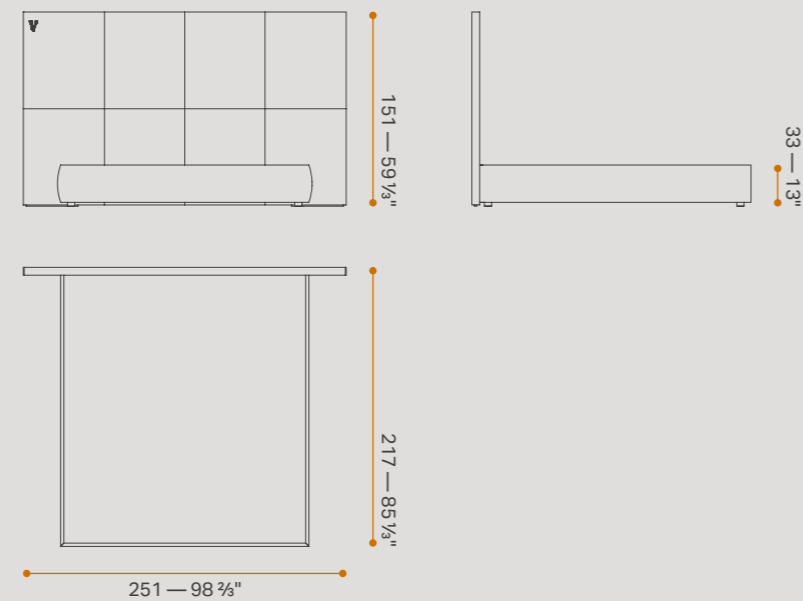
### Bed for mattress 185×200 cm (73×78 2/3")

SLE (LE2)



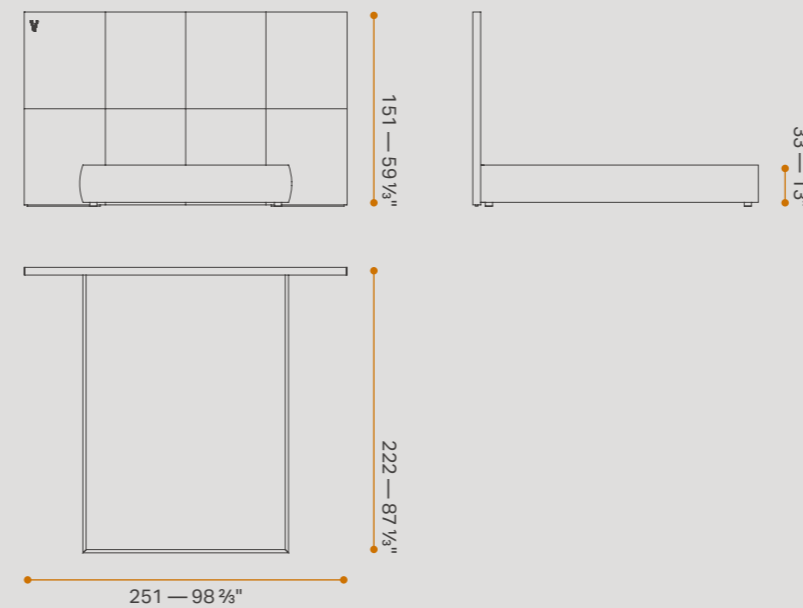
### Bed for mattress 200×200 cm (78 2/3×78 2/3")

SLE (LE7)

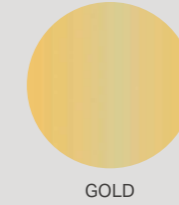


### Bed for mattress Queen USA 152×205 cm (60×80 2/3")

SLE (QUSA)



### Finishing - logo



BED

# V-KING

## TECHNICAL SHEET

### HEADBOARD/LATERAL SIDES

Wood and aluminium padded with Polyurethane and Fiberfill. Barocco V Metal logo with polished Gold finishing on the headboard or on the lateral side.

Brass hinges with polished finishing. Detachable lateral sides.

### BASE FRAME

Detachable wooden panels, assembled with metal elements and covered with Polyurethane and Fiberfill.

### BED BASE

Beech wooden slats.

### COVER

Fabric or leather. Not removable headboard cover, removable base cover.

Headboard back with lining, lateral sides back coordinated with frontal cover.

### FEET

Wood wengé stained.

### OPTIONAL 1

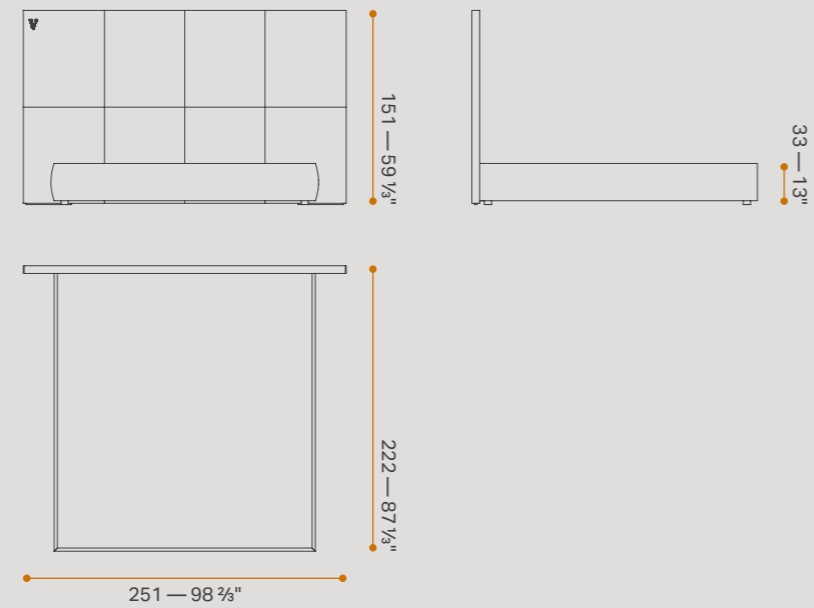
V-Shape logo quilting on the front headboard and/or on the lateral sides.

### OPTIONAL 2

Back headboard covered in fabric or leather night.

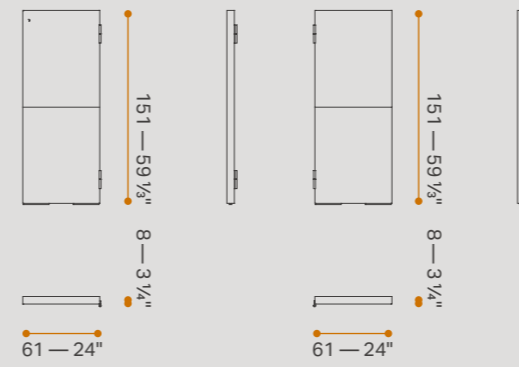
### Bed for mattress King USA 195×205 cm (76 2/3×80 2/3")

SLE (KUSA)

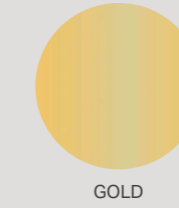


### Headboard lateral sides

SLE (SPO)



### Finishing - logo



GOLD

## **BEDSIDE TABLES**

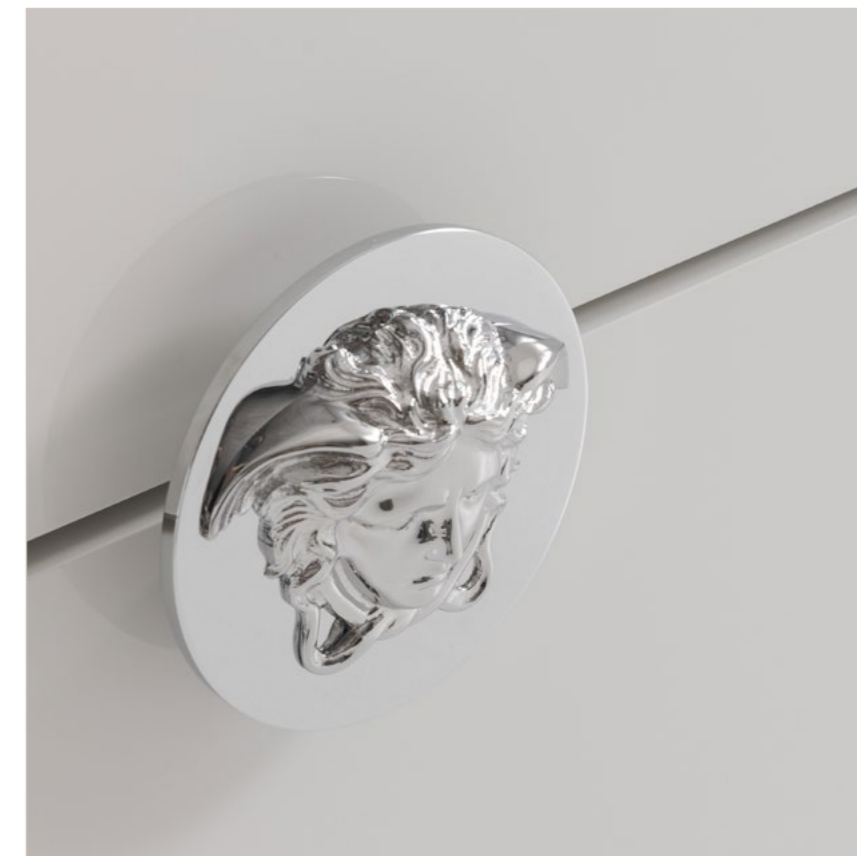
BEDSIDE TABLE

# ICONIC

Designed to grace bedrooms with functional elegance, offering a storage solution that is both spacious and charming, Iconic bedside tables by Versace Home.

Visually light with stunning finishes, the drawer handles of this precious furnishing are adorned with the House of Versace's unmistakable Medusa.

➤ [SEE ON WEBSITE](#)



# ICONIC

## TECHNICAL SHEET

### FRAME

Wood lacquered ivory, black, Arctic White, Pearl Grey, Stone or Quartz Grey, glossy brushed finishing. Alternative version in wood veneered Honey Awari, Dark Smoked Red Gum, Ebony Macassar, Pale Grey Sycamore or Stone Sycamore with glossy brushed finishing.

### DRAWERS

Nr. 2 drawers with internal drawers covered in microfibre.

### TOP

Bevelled and tempered glass, extra clear and back lacquered, coordinated with the frame or Dark Grey and back lacquered black, coordinated with the black lacquered frame and with the veneered version Dark Smoked Red Gum and Ebony Macassar.

### HANDLE

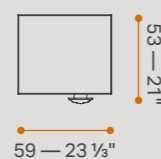
Steel with polished Gold or polished chrome finishing with 3D Metal Medusa logo.

### BASE

Wood covered in metal with polished Gold or polished chrome finishing, coordinated with the handle.

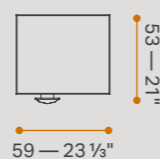
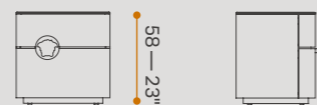
### Right bedside table

VCM (09)  
VCM (09E) veneered

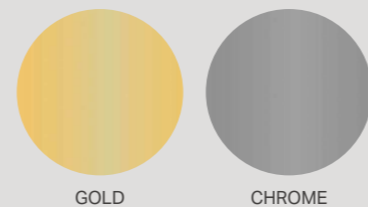


### Left bedside table

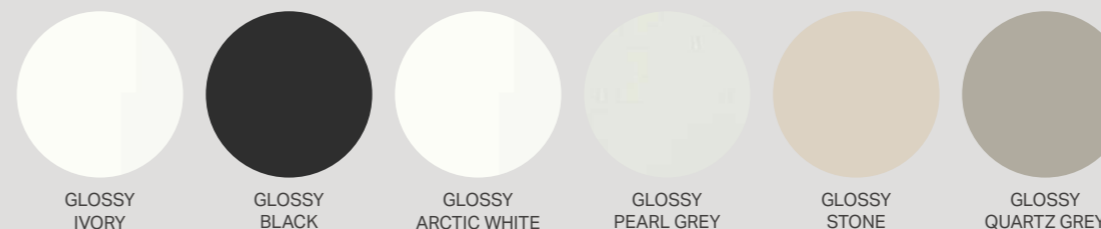
VCM (09)  
VCM (09E) veneered



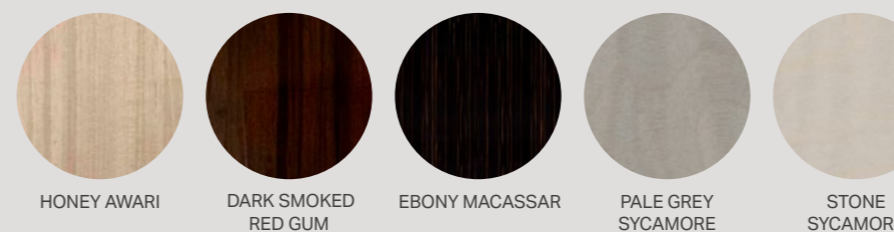
### Finishings - handle, logo and base



### Lacquered - frame



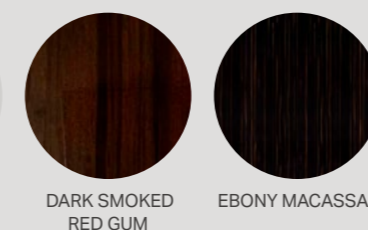
### Veneered - frame



### Glass - top



### Veneered - top



BEDSIDE TABLE

# MEDALLION

Extremely refined in both appearance and design, Medallion bedside table gives settings an iconic touch of the Italian Maison. This luxurious home décor accent features a stainless steel frame with polished gold or satin grey finishing, while the top comes in Carrara Gioia or Marquina Black marble. The drawer is adorned with a 3D Metal Medusa logo.

➤ [SEE ON WEBSITE](#)



BEDSIDE TABLE

# MEDALLION

## TECHNICAL SHEET

### FRAME

Stainless steel with polished chrome, polished Gold, gun-metal grey or Satin Grey finishing.

### TOP

Smoke grey glass, back lacquered black or marquina Black, Carrara Gioia, Fior di Pesco, Sahara Noir, Valentine Grey, Calacatta Gold marble, with glossy finishing.

**N.B.** Each stone, being a natural product, is a one-of-a-kind piece and can therefore exhibit colour and structural differences.

### DRAWER

Curved wood covered in leather. Internal drawer covered in microfibre.

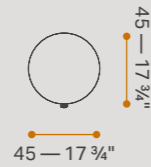
3D Metal Medusa logo with polished Gold, polished chrome, gun-metal grey or Satin Grey finishing, coordinated with the frame.

### LOWER TOP

Wood covered in leather, coordinated with the external drawer.

### Bedside table

VCM (01) marble top  
VCM (01V) glass top



### Finishings - frame and logo



### Glass - top

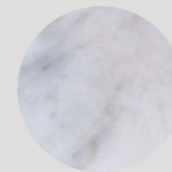


SMOKE GREY

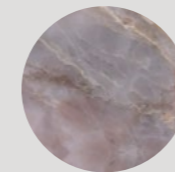
### Marble - top



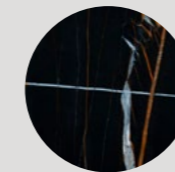
MARQUINA BLACK



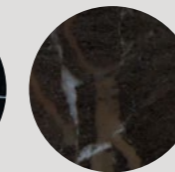
CARRARA GIOIA



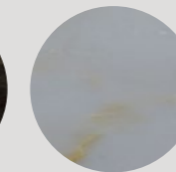
FIOR DI PESCO



SAHARA NOIR



VALENTINE GREY



CALACATTA GOLD

BEDSIDE TABLE

# MEDUSA '95

Bedside table with curved wood structure, available in lacquered with glossy brushed effect. The top drawer is accented by a coordinated leather belt and the Icon logo with polished Gold, polished chrome, or Bronze finishing.

The inner drawer is lined in matching microfiber. Optional: bevelled tempered glass top.

[SEE ON WEBSITE](#)



# MEDUSA '95

## TECHNICAL SHEET

### TOP / DRAWERS

Curved wood lacquered ivory, black, Arctic White, Stone, Pearl Grey, Stone or Quartz Grey, glossy brushed finishing.

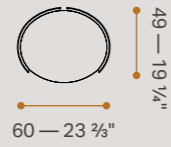
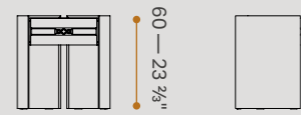
Frontal drawer with coordinated leather belt and Icon logo, polished Gold, polished chrome or Bronze finishing. Internal drawer covered in microfibre.

### LEGS / LATERAL SIDES

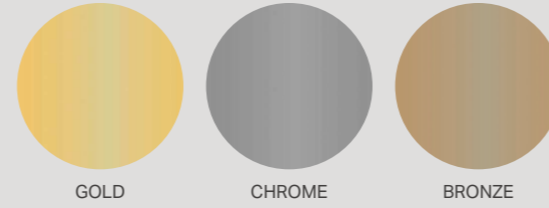
Curved wood lacquered, glossy brushed finishing coordinated with the top and the drawers.

### Bedside table with 1 drawer

VCM (12L) lacquered



### Finishings - logo



### Lacquerings - top and drawers



BEDSIDE TABLE

# VIA GESÙ GRECA

Available in versions featuring one or two drawers, the Via Gesù Greca bedside table by Versace Home blends a fresh, modern design with one of the House's most iconic symbols, here as a prominent accent on the metal handles.

➤ [SEE ON WEBSITE](#)



BEDSIDE TABLE

# VIA GESÙ GRECA

## TECHNICAL SHEET

### FRAME

Steel with polished chrome, polished Gold or gun-metal grey finishing.

### TOP

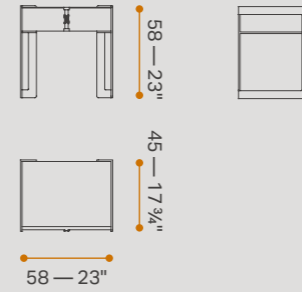
Wood lacquered ivory, black, Arctic White, Pearl Grey, Stone or Quartz Grey, glossy brushed finishing.

### DRAWER

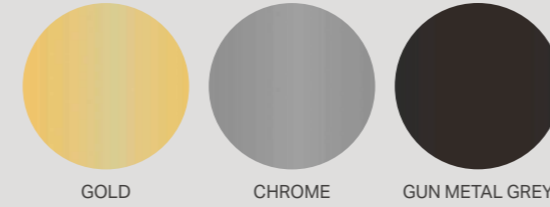
Wooden frontal drawer with finishing coordinated with the top, or covered in Ottawa leather. Matt black lacquered inside and covered in microfibre. Steel details with La Greca logo, finishing coordinated with the frame, applied on a Ottawa leather band coordinated with the top.

### Bedside table with 1 drawer

VCM (10GL) lacquered



### Finishings - frame and logo



### Lacquered - top



BEDSIDE TABLE

# VIA GESÙ MEDUSA

The Via Gesù Medusa bedside table by Versace Home, offered in polished gold, polished chrome, or gun-metal grey, is a refined steel structure supported by a lacquered or wood-covered top, available in a selection of hues. The drawers come with coordinated wooden or leather-upholstered fronts, each adorned with the signature 3D metal Medusa logo. This piece blends character and classicism, emblematic of contemporary luxury.

➤ [SEE ON WEBSITE](#)



BEDSIDE TABLE

# VIA GESÙ MEDUSA

## TECHNICAL SHEET

### FRAME

Steel with polished Gold, polished chrome, gun-metal grey or Bronze finishing.

### TOP

Wood lacquered ivory, black, Arctic White, Pearl Grey, Stone or Quartz Grey, glossy brushed finishing.

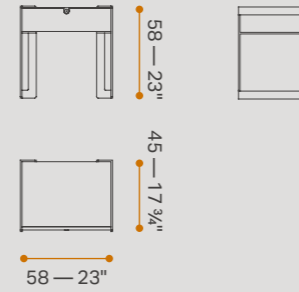
### DRAWER

Wooden frontal drawer with finishing coordinated with the top or covered in Ottawa leather. Matt black lacquered inside and covered in microfibre.

Steel details with 3D Metal Medusa logo, finishing coordinated with the frame, applied on a Ottawa leather band coordinated with the top.

### Bedside table with 1 drawer

VCM (10L) lacquered



### Finishings - frame and logo



### Lacquered - top



# **FURNITURE ACCESSORIES**

ACCESSORIES

# COAT RACK VALET

Steel frame with polished Gold, polished chrome, Bronze or Moonlight finishing. Curved elements are clad in leather for added refinement. The coat hanger is completed with a 3D Metal Medusa logo, in a finish coordinated with the frame.

[↗ SEE ON WEBSITE](#)



# COAT RACK VALET

## TECHNICAL SHEET

### FRAME

Steel with polished Gold, polished chrome, Bronze or Moonlight finishing.  
Curved elements in Poyurethane covered in Montreal or Aspen leather.

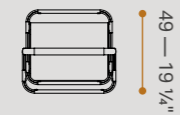
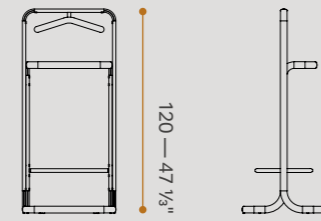
### DETAILS

Coat hanger and shelf in wood covered in Montreal or Aspen leather, coordinated with the curved elements.

3D Metal Medusa logo with polished Gold, polished chrome, Bronze or Moonlight finishing, coordinated with the frame.

### Coat rack

ACV (05)



55 — 21 3/8"

### Finishings - frame and logo



GOLD



CHROME



BRONZE



MOONLIGHT

# **TABLES**

TABLE

# CASINÒ ROYALE

Fully upholstered in leather, the Casinò Royale table features a central roulette layout printed on microfiber and a top partially covered in matching leather. The base is embellished with a 3D Metal Medusa logo in polished Gold or chrome finish. Six integrated glass holders, also in polished metal, complete the experience.

[SEE ON WEBSITE](#)



TABLE  
**CASINÒ  
ROYALE**

TECHNICAL SHEET

**BASE**

Rigid Poliurethane covered with Aspen or Montreal leather. Steel base, polished Gold or polished chrome finishing.

3D Metal Medusa logo, polished Gold or polished chrome finishing.

**TOP**

Wood covered partially in leather, coordinated with the base.

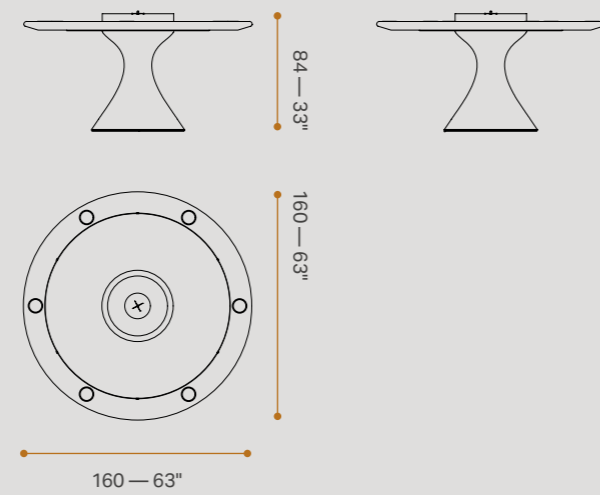
Nr. 6 glass holders with polished Gold or polished chrome finishing, coordinated with the base.  
Central part covered in microfibre printed with the game graphic.

**ROULETTE GAME**

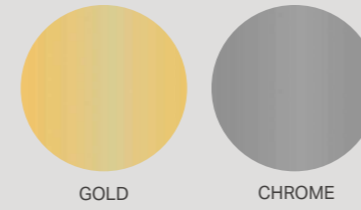
Wood covered in leather coordinated with the top, only polished chrome finishing.

**Roulette table**

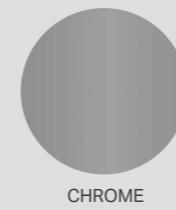
VTB (23GR)



**Finishings - base, details and logo**



**Finishings - roulette game**



TABLE

# DISCOVERY

The Discovery table, by Versace Home, is characterized by a sinuous leg covered in leather, decorated with a metal ring around the base and further enriched by a polished Gold or polished chrome Medusa. The table top is available in a wide range of lacquered colours, from white high gloss to matt red or with marble finishes.

[SEE ON WEBSITE](#)

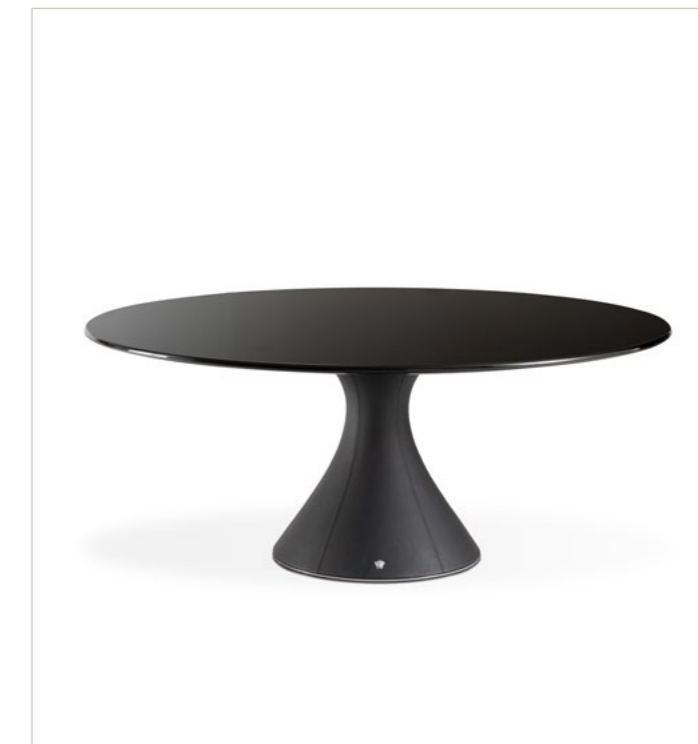


TABLE  
**DISCOVERY**

TECHNICAL SHEET

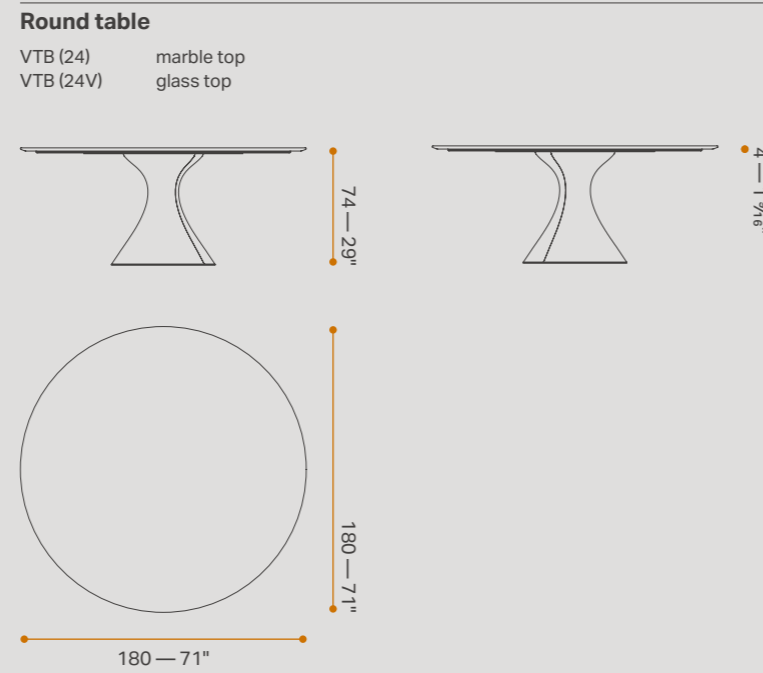
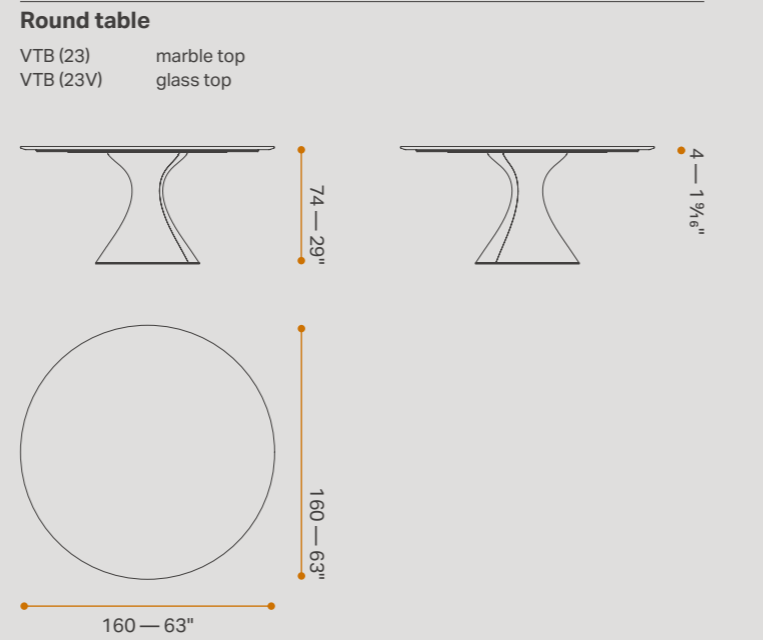
**BASE**

Rigid Polyurethane covered in leather.  
Steel base with polished chrome  
or polished Gold finishing.  
3D Metal Medusa logo with polished chrome  
or polished Gold finishing.

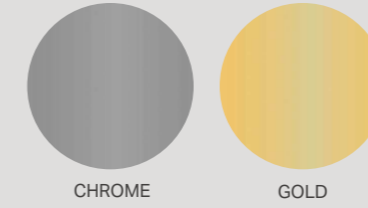
**TOP**

Marquina Black, Carrara Gioia, Sahara Noir,  
Valentine Grey, Calacatta Gold or Calcite Blue  
marble, with glossy finishing.

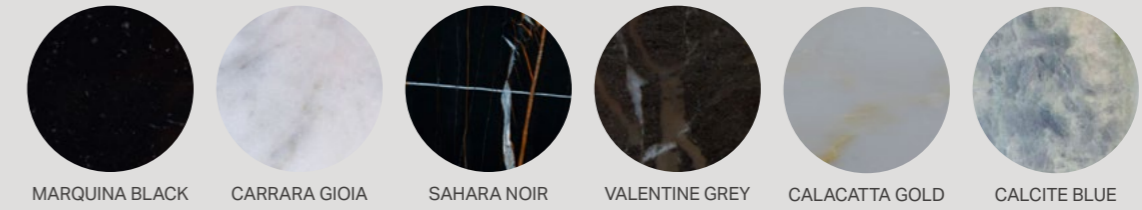
**N.B.** Each stone, being a natural product, is a  
one-of-a-kind piece and can therefore exhibit  
colour and structural differences.  
Alternative version in smoke grey glass,  
back lacquered black.



**Finishings - base and logo**



**Marble - top**



**Glass - top**



TABLE

# LA MEDUSA

Embellished with a three-dimensional version of the Versace logo at the bottom of the metal frame, La Medusa table by Versace Home catches the eye for its elegant lightness, further enhanced by the essential and slender top.

➤ [SEE ON WEBSITE](#)



TABLE

# LA MEDUSA

TECHNICAL SHEET

**TOP**

Calcite Blue, Marquina Black, Carrara Gioia, Fior di Pesco, Sahara Noir, Valentine Grey, Calacatta Gold marble, with glossy finishing. The table VTB (26M) with 250x120 cm size is available with Green Ming marble top.

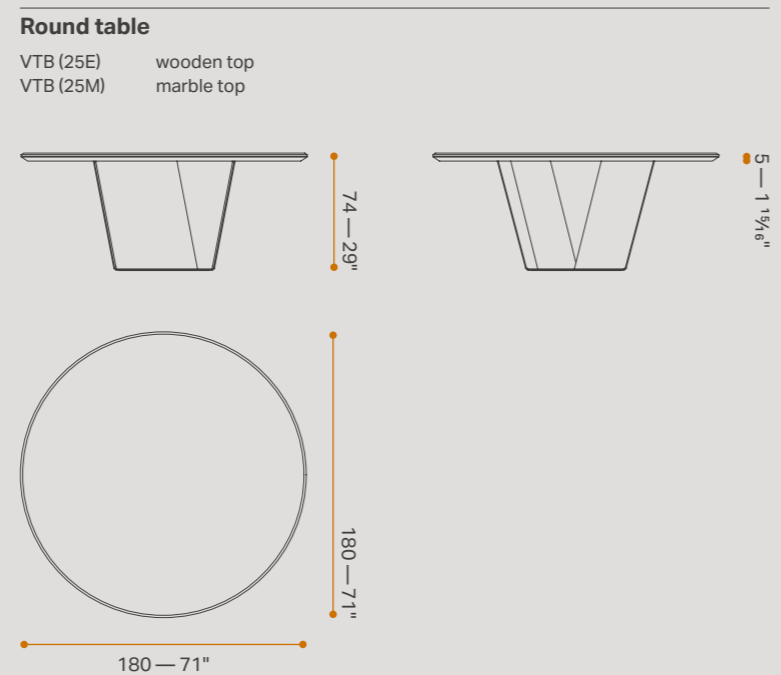
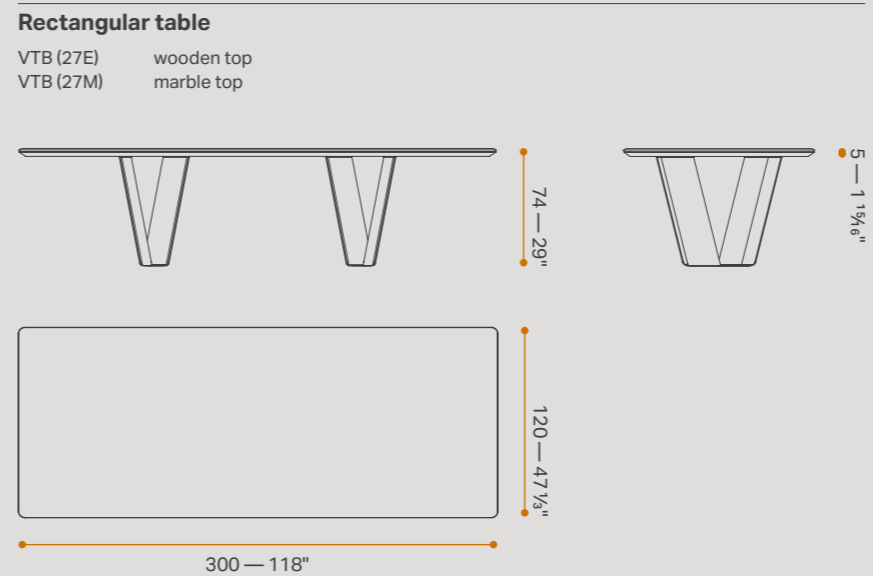
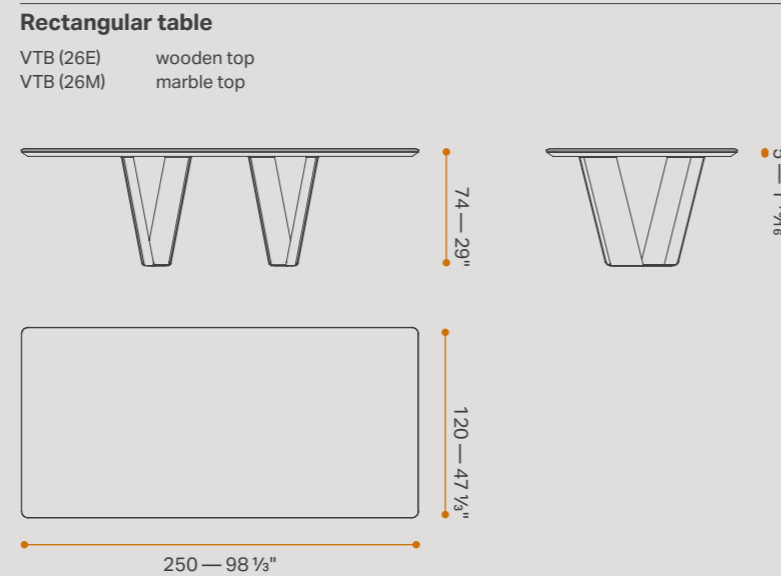
**N.B.** Each stone, being a natural product, is a one-of-a-kind piece and can therefore exhibit colour and structural differences. Alternative version in wood veneered Ebony Macassar, Honey Awari, Dark Smoked Red Gum, with glossy brushed finishing. Undertop in varnished wood with matt finishing, coordinated with the top.

**LEGS**

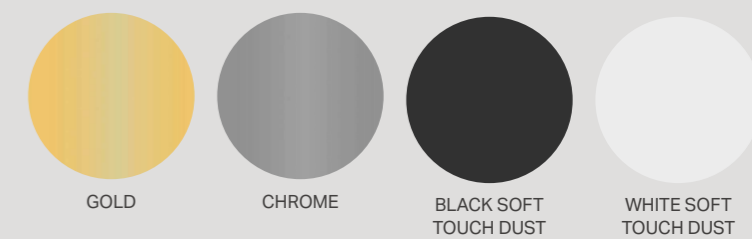
Steel with polished Gold or polished chrome finishing. Alternative version varnished Black Soft Touch Dust or White Soft Touch Dust, 3D Metal Medusa logo with coordinated finishing.

**OPTIONAL TOP**

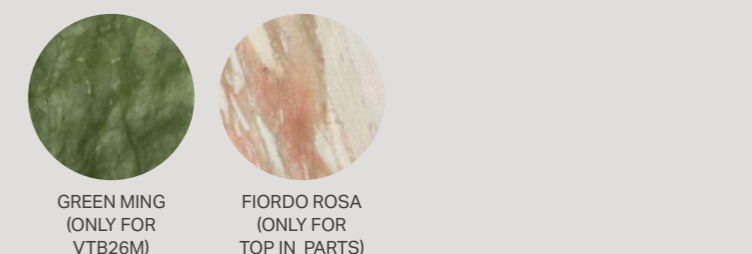
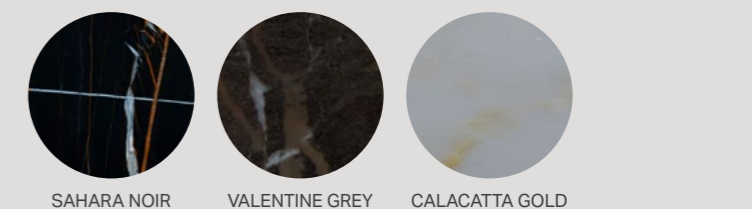
Alternative special top divided in two parts, available in Fiordo Rosa marble.



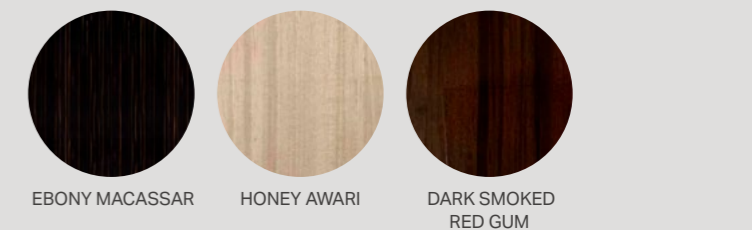
**Finishings - legs and logo**



**Marble - top**



**Veneered - top**



TABLE

# STILETTO

In Stiletto table, Versace's forceful femininity is celebrated in every detail. The aluminium frame features matt Satin Grey finishing and a 3D Metal Medusa logo with polished Gold finishing, topped in a selection of precious marbles, with glossy finishing. An alternative version comes with a wooden top veneered in Ebony Macassar, with glossy brushed finishing.

➤ [SEE ON WEBSITE](#)

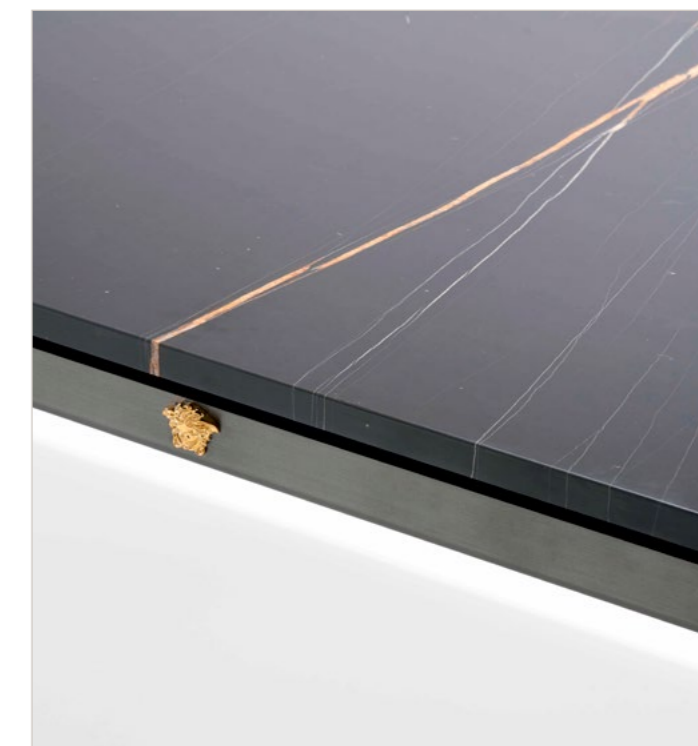
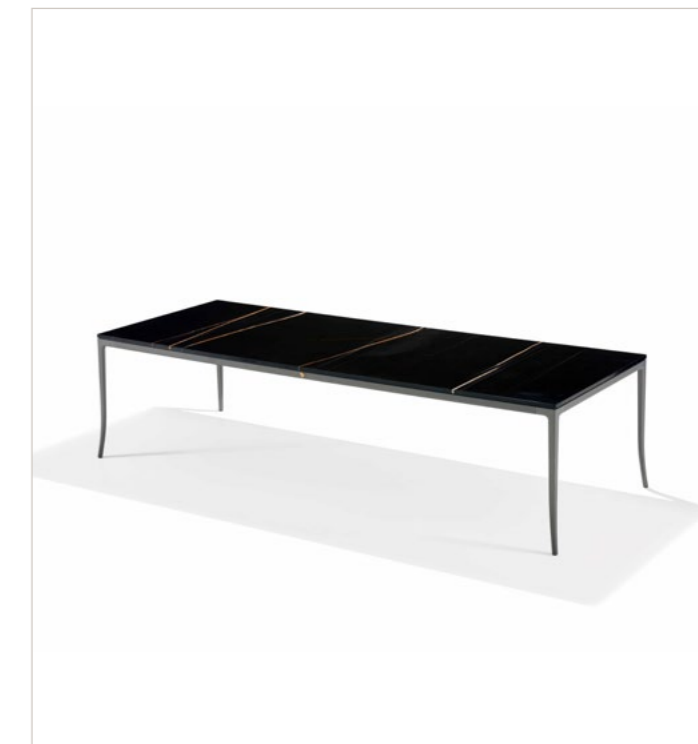


TABLE  
**STILETTO**

TECHNICAL SHEET

**FRAME / LEGS**

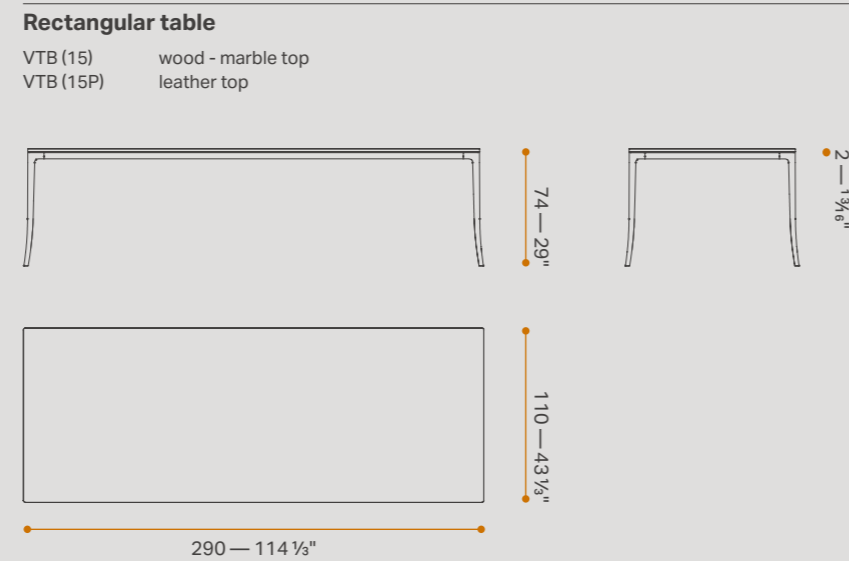
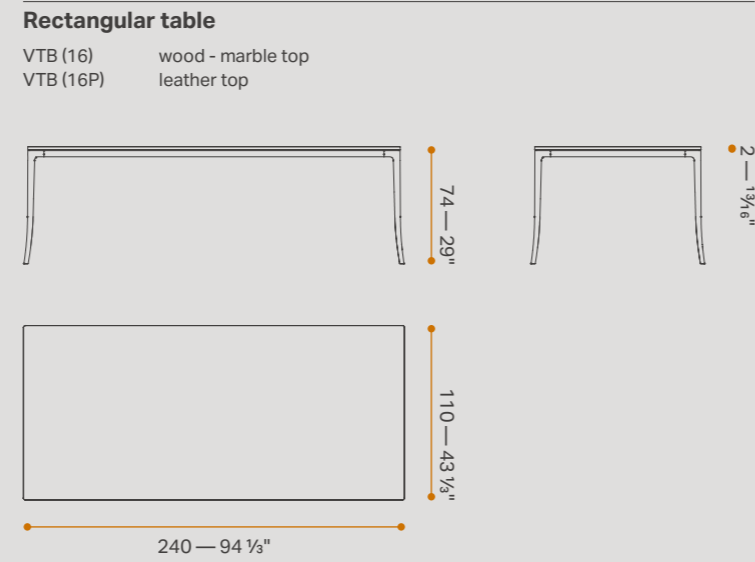
Aluminium with matt Satin Grey finishing.  
 3D Metal Medusa logo with polished Gold finishing.

**TOP**

Marquina Black, Carrara Gioia, Fior di Pesco, Sahara Noir, Valentine Grey or Calacatta Gold marble, with glossy finishing. Alternative version with wooden top veneered Ebony Macassar, with glossy brushed finishing or wooden top covered in leather.

Steel under top, matt black varnished.

**N.B.** Each stone, being a natural product, is a one-of-a-kind piece and can therefore exhibit colour and structural differences.



**Finishing - legs**



MATT SATIN GREY

**Finishing - logo**



GOLD

**Marble - top**



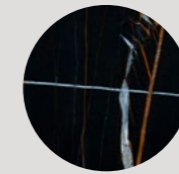
MARQUINA BLACK



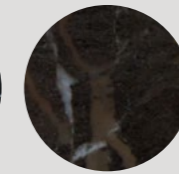
CARRARA GIOIA



FIOR DI PESCO



SAHARA NOIR

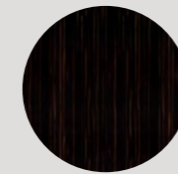


VALENTINE GREY



CALACATTA GOLD

**Veneered - top**



EBONY MACASSAR

TABLE

# THOLOS

Crafted with a round or rectangular top, the table is available in a variety of fine wood veneers or select marble finishes, all with a glossy brushed effect. The legs mirror the top's finish—veneered or lacquered—and are completed by steel details in polished Gold, polished chrome, Bronze or Moonlight finishing.

[↗ SEE ON WEBSITE](#)

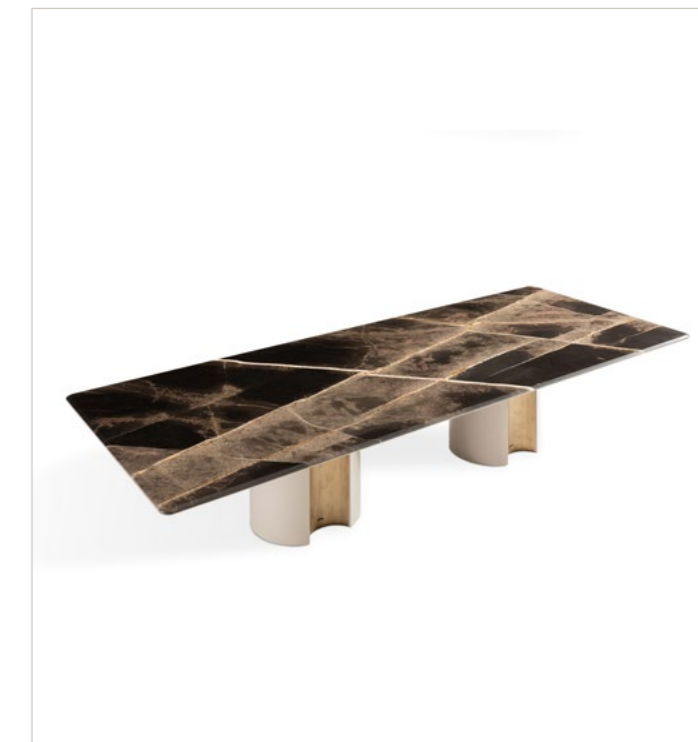


TABLE  
**THOLOS**

TECHNICAL SHEET

**TOP**

Wooden top veneered Pale Grey Sycamore, Stone Sycamore, Honey Awari, Dark Smoked Red Gum or Ebony Macassar, glossy brushed finishing. Undertop in varnished wood with glossy finishing, colour coordinated with the top.

Alternative version with marble top in Marquina Black, Carrara Gioia, Sahara Noir, Fior di Pesco, Calcite Blue, Calacatta Gold, Oriental Wave, Bronze Fantasy or with Fiordo Rosa special marble, with glossy finishing.

**N.B.** Each stone, being a natural product, is a one-of-a-kind piece and can therefore exhibit colour and structural differences.

**LEGS**

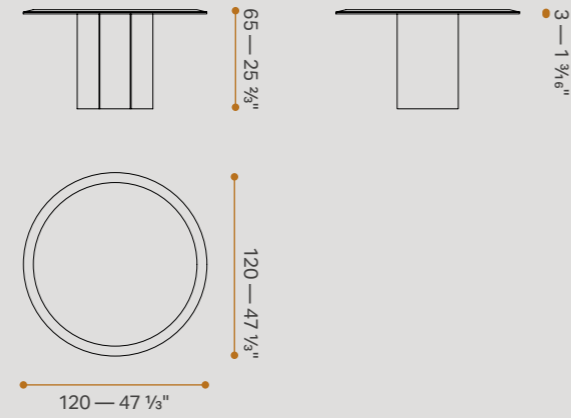
Wood veneered Pale Grey Sycamore, Stone Sycamore, Honey Awari, Dark Smoked Red Gum or Ebony Macassar, glossy brushed finishing, coordinated with the veneered top.

Alternative version in lacquered wood with glossy finishing, coordinated with the marble top.

Steel details with polished Gold, polished chrome, Bronze or Moonlight finishing.

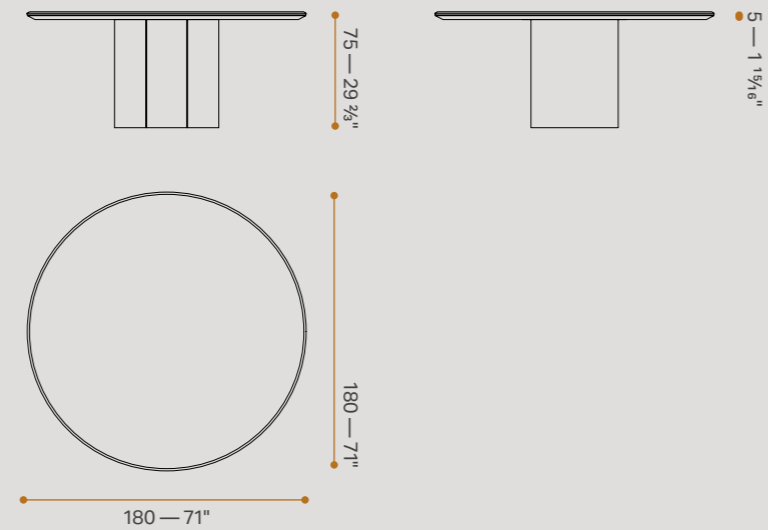
**Lounge table**

VTB (36E) veneered  
VTB (36M) marble top



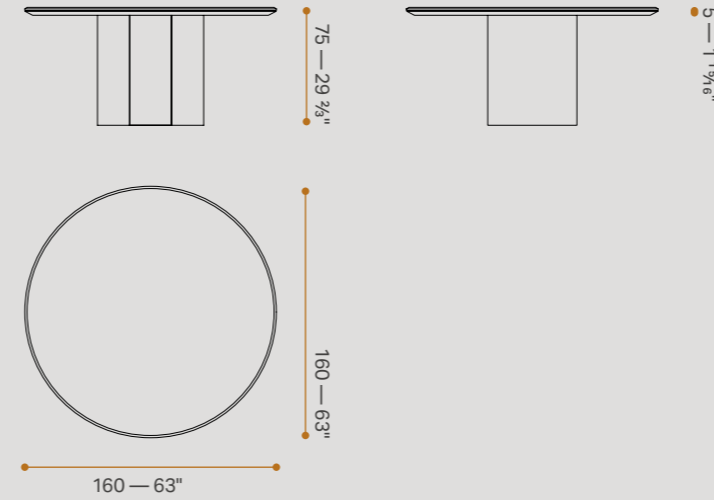
**Round table**

VTB (35E) veneered  
VTB (35M) marble top



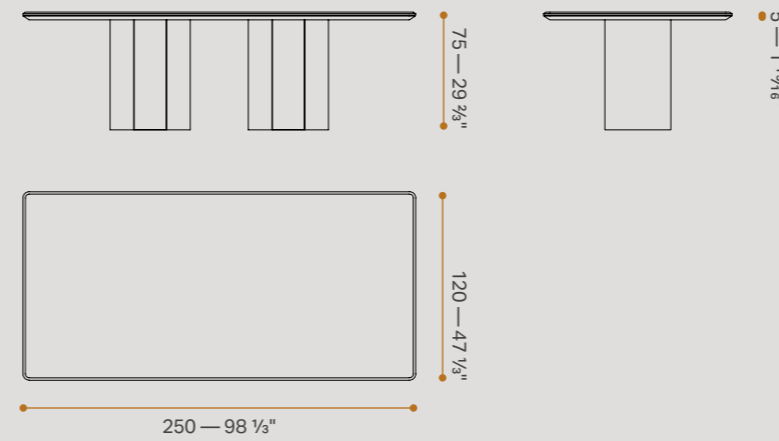
**Round table**

VTB (34E) veneered  
VTB (34M) marble top

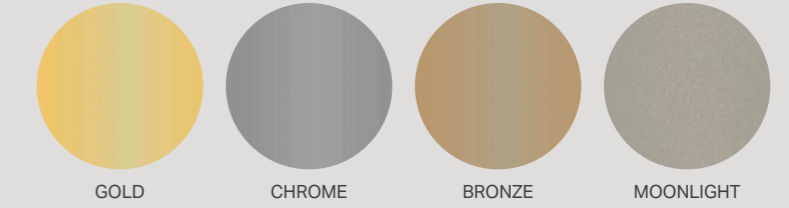


**Table**

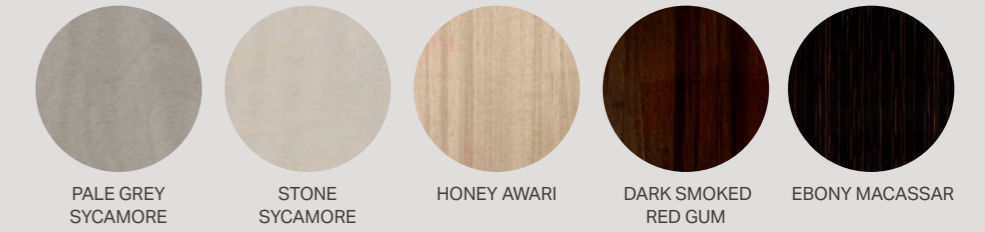
VTB (30E) veneered  
VTB (30M) marble top



**Finishings - details**



**Veneered - top and legs**



**Marble - top**



# TABLE

## THOLOS

### TECHNICAL SHEET

#### TOP

Wooden top veneered Pale Grey Sycamore, Stone Sycamore, Honey Awari, Dark Smoked Red Gum or Ebony Macassar, glossy brushed finishing. Undertop in varnished wood with glossy finishing, colour coordinated with the top.

Alternative version with marble top in Marquina Black, Carrara Gioia, Sahara Noir, Fior di Pesco, Calcite Blue, Calacatta Gold, Oriental Wave, Bronze Fantasy or with Fiordo Rosa special marble, with glossy finishing.

**N.B.** Each stone, being a natural product, is a one-of-a-kind piece and can therefore exhibit colour and structural differences.

#### LEGS

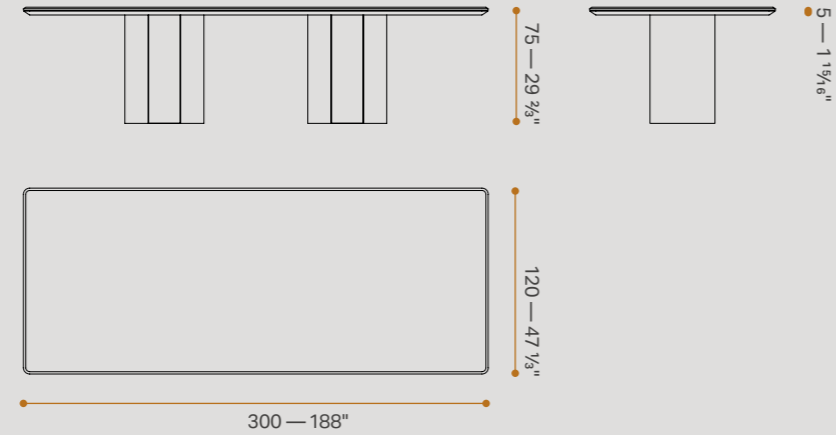
Wood veneered Pale Grey Sycamore, Stone Sycamore, Honey Awari, Dark Smoked Red Gum or Ebony Macassar, glossy brushed finishing, coordinated with the veneered top.

Alternative version in lacquered wood with glossy finishing, coordinated with the marble top.

Steel details with polished Gold, polished chrome, Bronze or Moonlight finishing.

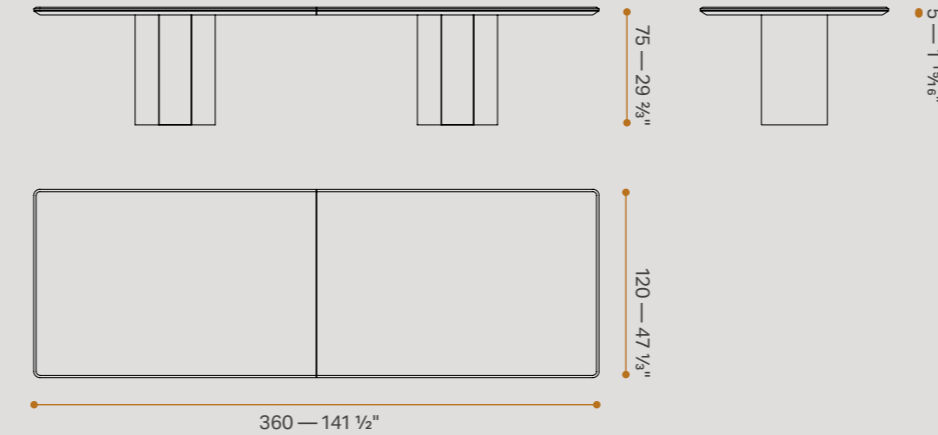
#### Table

VTB (31E) veneered  
VTB (31M) marble top



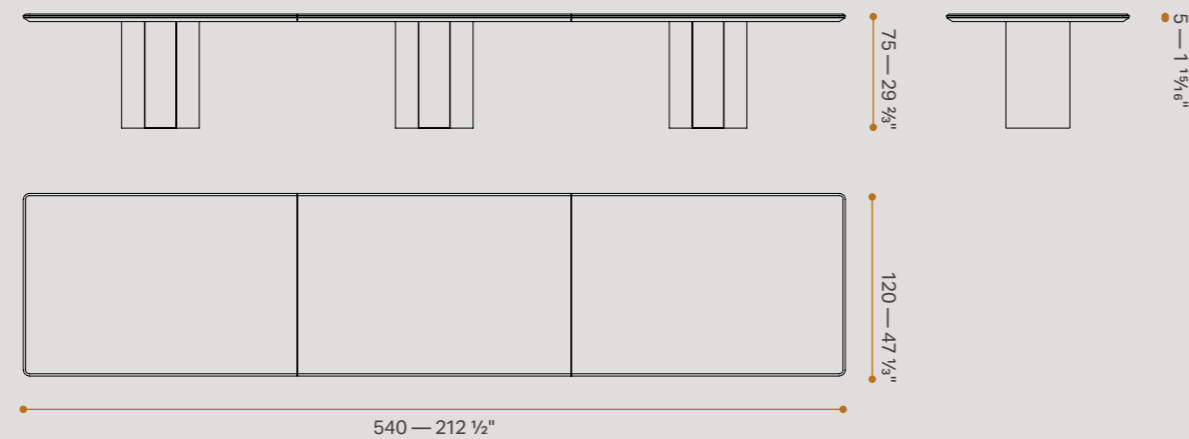
#### Table

VTB (32E) veneered  
VTB (32M) marble top

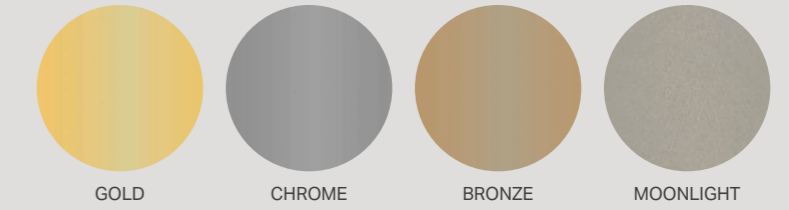


#### Table

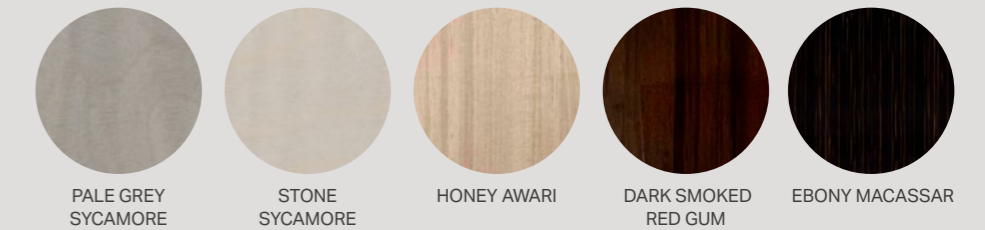
VTB (33E) veneered  
VTB (33M) marble top



#### Finishings - details



#### Veneered - top and legs



#### Marble - top



TABLE

# V-MARBLE

Available round and rectangular, V-Marble table eloquently expresses the luxuriousness of Versace Home. The top and swivel tray come in Carrara Gioia or Marquina Black marble, while the base and legs are covered in leather, with V-shape quilting and a Barocco V Metal logo.

➤ [SEE ON WEBSITE](#)



TABLE

# V-MARBLE

TECHNICAL SHEET

FRAME / BASE

**Round table base**

Solid wood and curved wood, covered in leather with V-Shape quilting. Stainless steel base with polished Gold or Satin Grey finishing edge. Barocco V Metal logo with polished Gold finishing.

**Rectangular table frame**

Steel with matt black finishing, legs covered inleather with V-Shape quilting. Details with polished Gold or Satin Grey finishing. Barocco V Metal logo with polished Gold finishing.

**TOP**

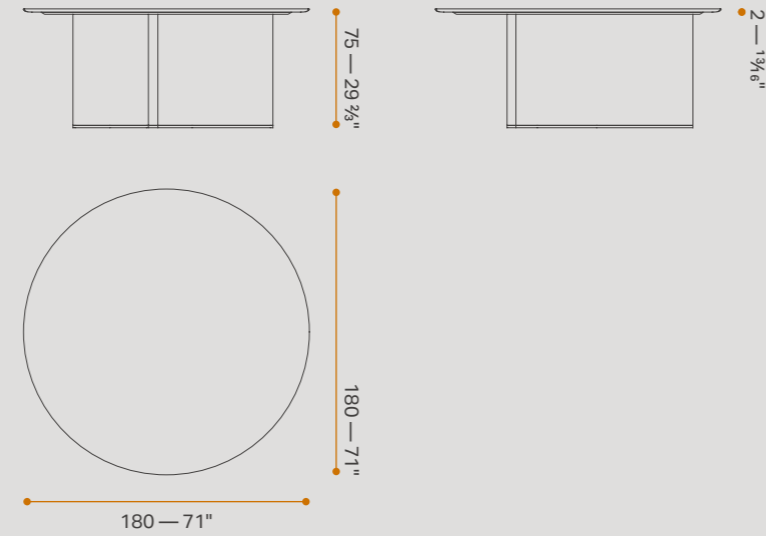
Marquina Black, Carrara Gioia, Fior di Pesco, Sahara Noir, Valentine Grey or Calacatta Gold marble, with glossy finishing.

**N.B.** Each stone, being a natural product, is a one-of-a-kind piece and can therefore exhibit colour and structural differences.

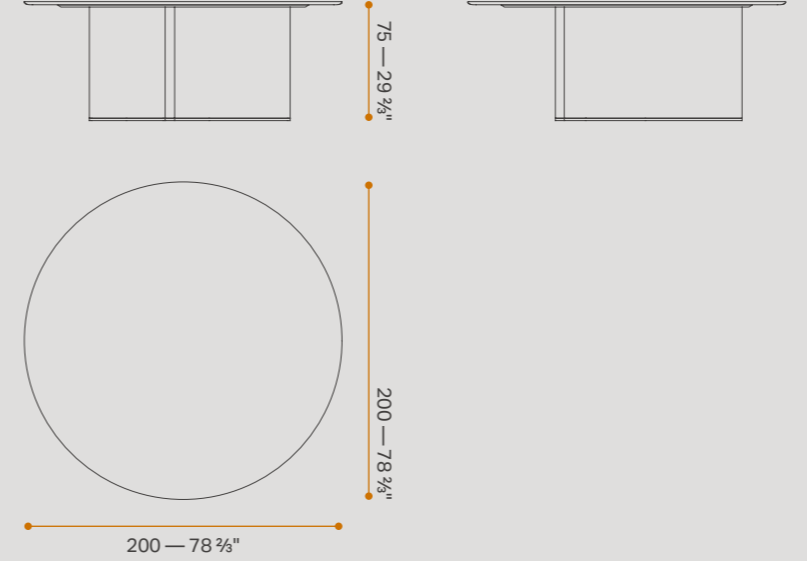
**LAZY SUSAN**

Swivel tray in Marquina Black, Carrara Gioia, Fior di Pesco, Sahara Noir, Valentine Grey or Calacatta Gold marble, with glossy finishing.

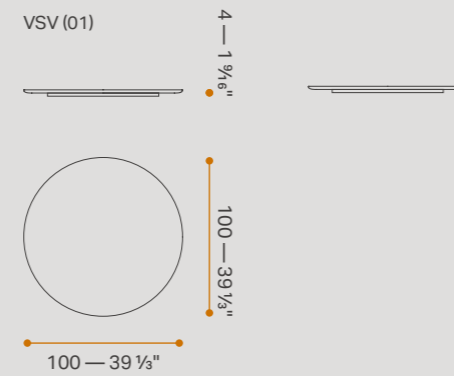
**Medium round table**  
VTB (01)



**Big round table**  
VTB (02)



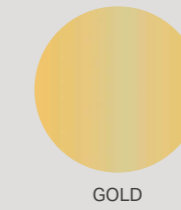
**Lazy Susan**  
VSV (01)



**Finishings - base and details**



**Finishing - logo**



**Marble - top**



TABLE

# V-MARBLE

## TECHNICAL SHEET

### FRAME / BASE

#### Round table base

Solid wood and curved wood, covered in leather with V-Shape quilting. Stainless steel base with polished Gold or Satin Grey finishing edge. Barocco V Metal logo with polished Gold finishing.

#### Rectangular table frame

Steel with matt black finishing, legs covered inleather with V-Shape quilting. Details with polished Gold or Satin Grey finishing. Barocco V Metal logo with polished Gold finishing.

#### TOP

Marquina Black, Carrara Gioia, Fior di Pesco, Sahara Noir, Valentine Grey or Calacatta Gold marble, with glossy finishing.

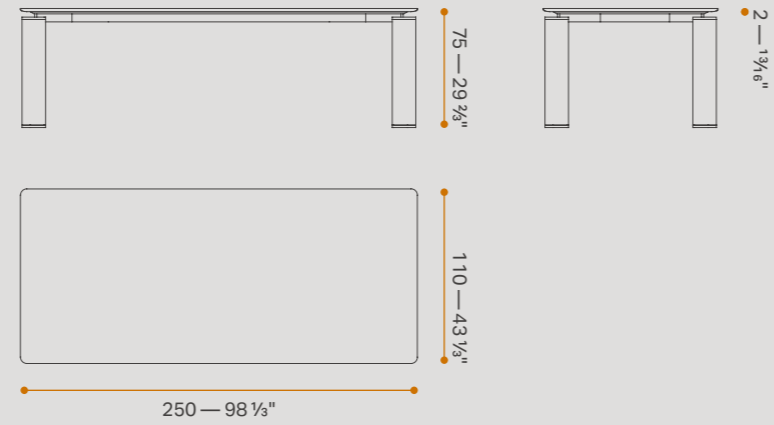
**N.B.** Each stone, being a natural product, is a one-of-a-kind piece and can therefore exhibit colour and structural differences.

#### LAZY SUSAN

Swivel tray in Marquina Black, Carrara Gioia, Fior di Pesco, Sahara Noir, Valentine Grey, Calacatta Gold marble, with glossy finishing.

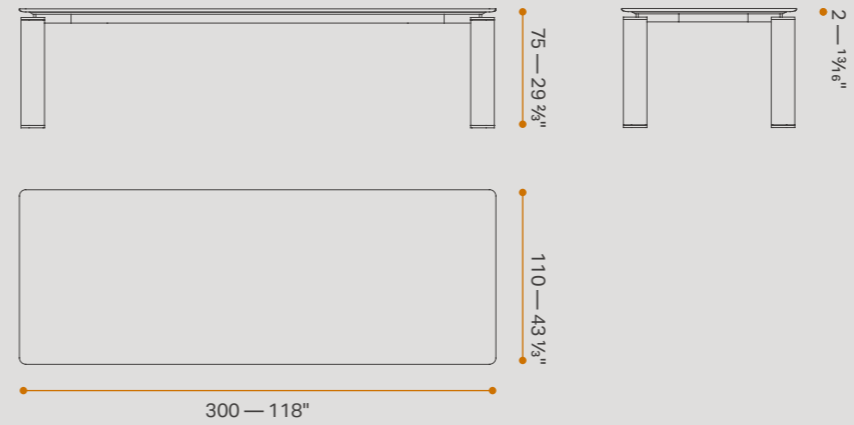
### Rectangular table

VTB (03)



### Big rectangular table

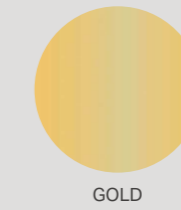
VTB (04)



### Finishings - base and details



### Finishing - logo



### Marble - top



**CHAIRS**

CHAIR

# DISCOVERY

The Discovery chair by Versace Home belongs to the Stiletto collection, but with a more essential design and sturdier legs. In this furnishing, the comfortable backrest blends with a minimalist seat cushion.

➤ [SEE ON WEBSITE](#)



CHAIR

# DISCOVERY

## TECHNICAL SHEET

### FRAME

Steel and wood padded with Polyurethane, seat with interwoven elastic bands.

### BASE

Solid wood Canaletto Walnut stained with glossy finishing or lacquered with glossy finishing.

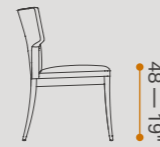
### COVER

Not removable fabric or leather cover.

Steel decorative zipper with 3D Metal Medusa in polished Gold finishing and 3D Metal Medusa logo.

### Chair

SDV (21)



53 — 21"

### Finishing - zipper and logo



GOLD

### Veneered - base



CANALETTO  
WALNUT

CHAIR

# LA MEDUSA

The La Medusa chair by Versace Home features a distinctive zipper running entirely around the backrest, a unique detail that enhances the frame design. The House's three-dimensional logo and tapered feet give the furnishing an added touch of elegance and lightness.

➤ [SEE ON WEBSITE](#)



CHAIR

# LA MEDUSA

## TECHNICAL SHEET

### FRAME

Steel padded with Polyurethane,  
seat with interwoven elastic bands.

### LEGS

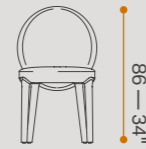
Steel padded with Polyurethane.

### COVER

Not removable fabric or leather cover.  
Steel decorative zipper with 3D Metal Medusa  
in polished Gold or polished chrome finishing.

### Chair

SDV (22)

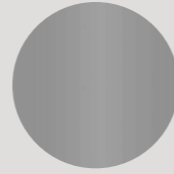


50 - 19 3/4"

### Finishings - zipper and logo



GOLD



CHROME

CHAIR

# MEDUSA TRONO

An elegant zipper becomes a precious detail on the La Medusa Trono chair, covered in fabric or leather and embellished with a Medusa logo with polished Gold or polished chrome finishing.

➤ [SEE ON WEBSITE](#)



CHAIR

# MEDUSA TRONO

## TECHNICAL SHEET

### FRAME

Steel, Polyurethane and Fiberfill.

### COVER

Not removable fabric or leather with decorative zipper and 3D Metal Medusa logo with polished Gold or polished chrome finishing.

### FEET

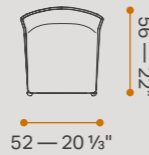
Black ABS.

### OPTIONAL

Medusa logo embroidery on the external back.

### Chair

SDV (01)



### Finishings - zipper and logo



GOLD



CHROME

CHAIR

# OVALINA

Defined by its distinctive silhouette, the Ovalina chair features a shaped metal frame with an oval-section tubular structure that curves fluidly around the seat, creating a refined architectural volume. The frame is available in White Soft Touch Dust, Black Soft Touch Dust, Gold lucido, cromo lucido, Bronze or Moonlight finishing. The design is completed by the iconic 3D Metal Medusa logo, offered in a coordinated finish—Gold when paired with Moonlight.

[SEE ON WEBSITE](#)



CHAIR

# OVALINA

## TECHNICAL SHEET

### FRAME

Shaped curved metal with White Soft Touch Dust, Black Soft Touch Dust, polished Gold, polished chrome, Bronze or Moonlight finishing.  
3D Metal Medusa logo with coordinated finishing, Gold finishing coordinated with Moonlight finishing.

### SEAT AND BACK

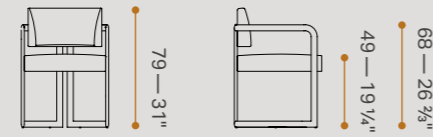
Wood padded with Polyurethane and Fiberfill.

### COVER

Not removable fabric or leather cover.

### Chair with armrests

SDV (23)



### Finishings - frame and logo



CHAIR

# STILETTO

In Stiletto chair, Versace's forceful femininity is celebrated in every detail. The cover is available in fabric or leather with 3D Metal Medusa logo polished Gold finishing. Medusa embroidery embellishment on the external back is available upon request.

➤ [SEE ON WEBSITE](#)



CHAIR

# STILETTO

## TECHNICAL SHEET

**FRAME**

Steel and wood padded with Polyurethane and Fiberfill.

**LEGS**

Aluminium with matt Satin Grey finishing.

**COVER**

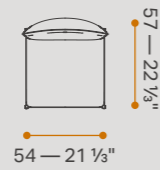
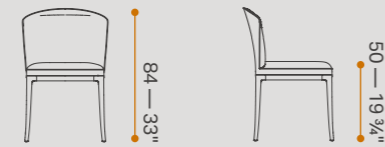
Not removable fabric or leather cover. Piping on the frame and on the seat cushion in coordinated microfibre with velvet cover, in fabric with fabric cover or in leather with leather cover. 3D Metal Medusa logo with polished Gold finishing.

**OPTIONAL**

Medusa embroidery on the external back.

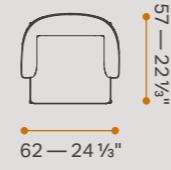
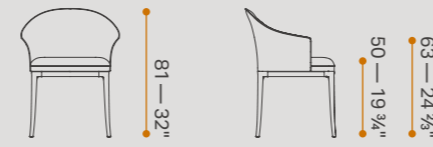
**Chair**

HEE (SED)



**Chair with armrests**

HEE (SEDB)



**Finishing - legs**



SATIN GREY

**Finishing - logo**



GOLD

CHAIR

# VANITAS

A re-edition of the iconic 1994 chair, the Vanitas chair is crafted from wood and fully upholstered in velvet, offered either plain or printed with the unmistakable Versace pattern. With its distinctive sinuous lines and sculpted armrests, the design exudes timeless character and refined personality. A Medusa detail embellishes the lower back corner.

[SEE ON WEBSITE](#)



CHAIR

# VANITAS

## TECHNICAL SHEET

### FRAME

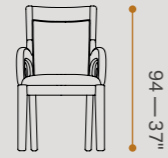
Wood padded with Polyurethane and Fiberfill, seat with interwoven elastic bands.

### COVER

Not removable printed velvet or velvet cover.

### Chair

SDV (24)



50 — 19 3/4"

68 — 26 3/8"



63 — 24 3/8"

58 — 23"

## **COFFEE AND SIDE TABLES**

COFFEE AND SIDE TABLES

# ACROPOLIS

The fluted base is crafted in lacquered wood with a glossy brushed finish and embellished with the iconic 3D Metal Medusa logo in polished Gold. The top comes in stratified or thick extraclear back-lacquered glass, offered in a selection of refined shades. Also available with a marble top, for an elevated interpretation of Versace Home's bold design identity.

[SEE ON WEBSITE](#)



# ACROPOLIS

## TECHNICAL SHEET

### FRAME

Wood lacquered black, ivory, Arctic White, Pearl Grey, Stone or Quartz Grey, glossy brushed finishing.

### DETAILS

Steel and 3D Metal Medusa logo with polished Gold, polished chrome, Bronze or Moonlight finishing.

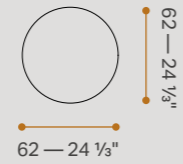
### TOP

Stratified glass Dark Grey back lacquered black or heavy sheet extraclear glass back lacquered Arctic White, Pearl Grey, Quartz Grey or Night Sun. Alternative version in marble Marquina Black, Carrara Gioia, Sahara Noir, Valentine Grey, Calcite Blue, Green Ming, Calacatta Gold, Oriental Wave or Bronze Fantasy.

**N.B.** Each stone, being a natural product, is a one-of-a-kind piece and can therefore exhibit colour and structural differences

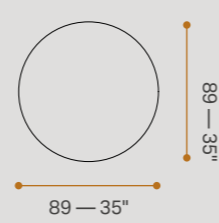
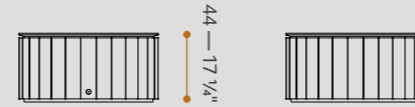
### Small side table

TCV (60VL) back lacquered  
TCV (60ML) marble



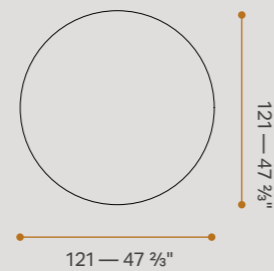
### Medium coffee table

TCV (61VL) back lacquered  
TCV (61ML) marble

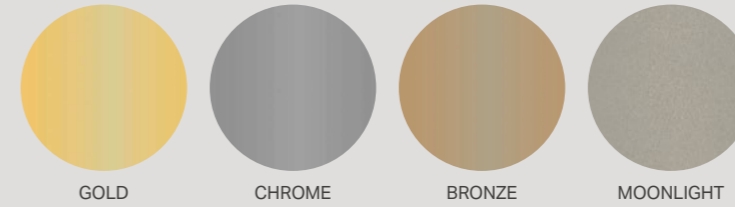


### Big coffee table

TCV (62VL) back lacquered  
TCV (62ML) marble



### Finishing - logo



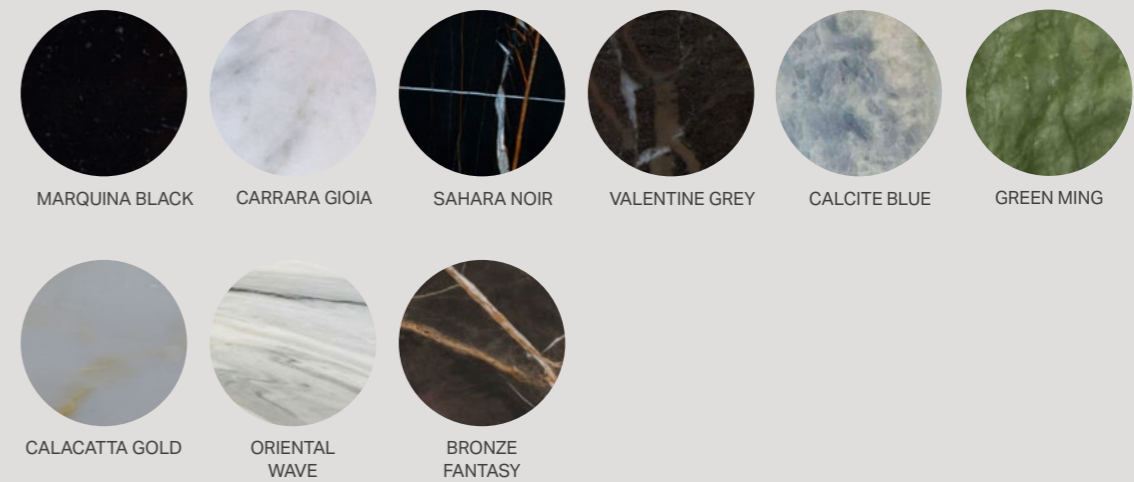
### Lacquered - frame



### Glass - top



### Marble - top

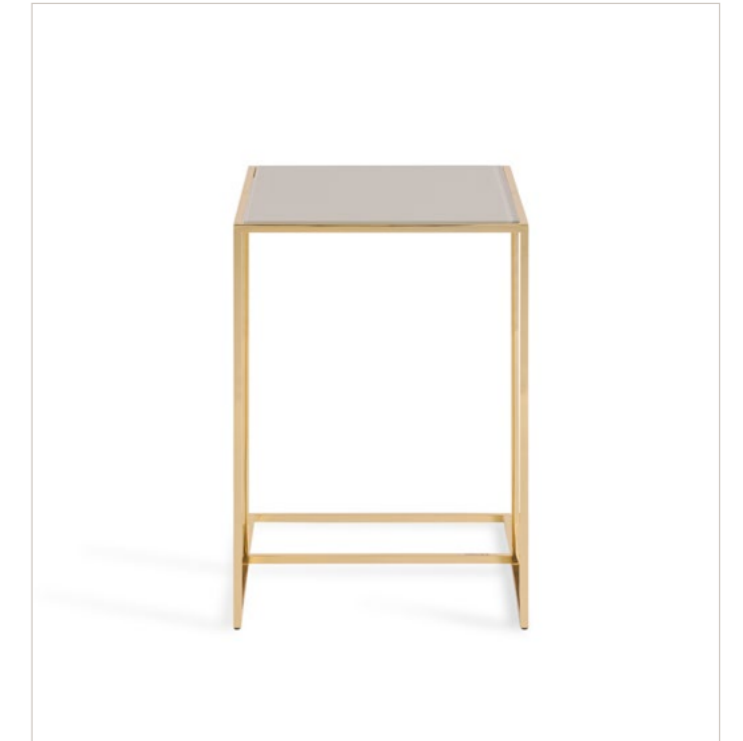


SIDE TABLE

# AGORÀ

The Agorà side table is available in two versions. The first features a top in tempered glass, either extraclear or Dark Grey back lacquered, with a steel structure in polished Gold, chrome, or Moonlight finish. The second version comes with a white alabaster top and the same metal structure options. In both versions, the top is finished with a laser-inlaid Versace logo.

[SEE ON WEBSITE](#)



SIDE TABLE

# AGORÀ

TECHNICAL SHEET

**FRAME**

Steel with polished Gold, polished chrome or Moonlight finishing. Laser enlayed Versace logo.

**TOP**

Tempered, extraclear glass back lacquered Artic White, Stone or Quartz Grey. Alternative version in glass Dark Grey back lacquered black.

**AGORÀ ALABASTER**

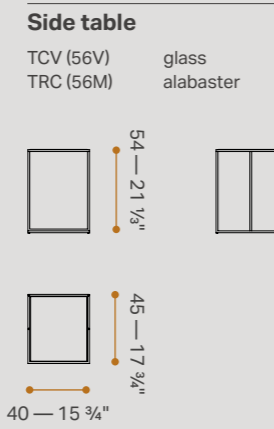
**FRAME**

Steel with polished Gold, polished chrome or Moonlight finishing. Laser enlayed Versace logo.

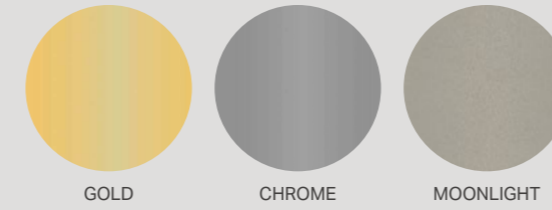
**TOP**

Removable tray in white alabaster.

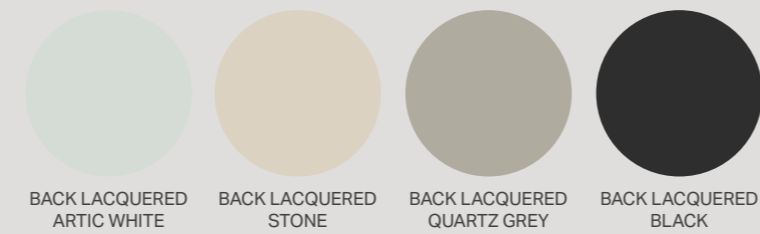
**N.B.** Each stone, being a natural product, is a one-of-a-kind piece and can therefore exhibit colour and structural differences.



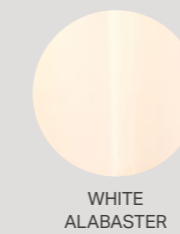
**Finishings - frame**



**Glass - top**



**Agorà Alabaster - top**



COFFEE AND SIDE TABLES

# GOLD UNIQUE

The luxurious world of Versace Home takes its love for fashion and audacity to the stage, represented perfectly in the Gold Unique side tables. These splendid furnishings made of steel can be finished in polished Gold, polished chrome, gunmetal or matt black. These tables are personalized with an engraving of the Maison's iconic Medusa.

[↗ SEE ON WEBSITE](#)

[↗ SEE ON WEBSITE](#)



# GOLD UNIQUE

## TECHNICAL SHEET

### FRAME

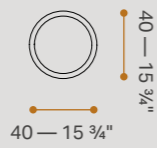
Steel with polished Gold, polished chrome, gun-metal grey, matt black or Bronze finishing.

### TOP

Steel with polished Gold, polished chrome, gun-metal grey, matt black or Bronze finishing with Medusa logo engraved and glass protection.

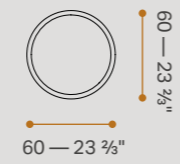
### Side table

TCV (14)



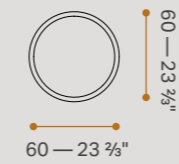
### Coffee table

TCV (15)



### Large side table

TCV (16)



### Finishings - frame and top



GOLD

CHROME

GUN-METAL GREY

MATT BLACK

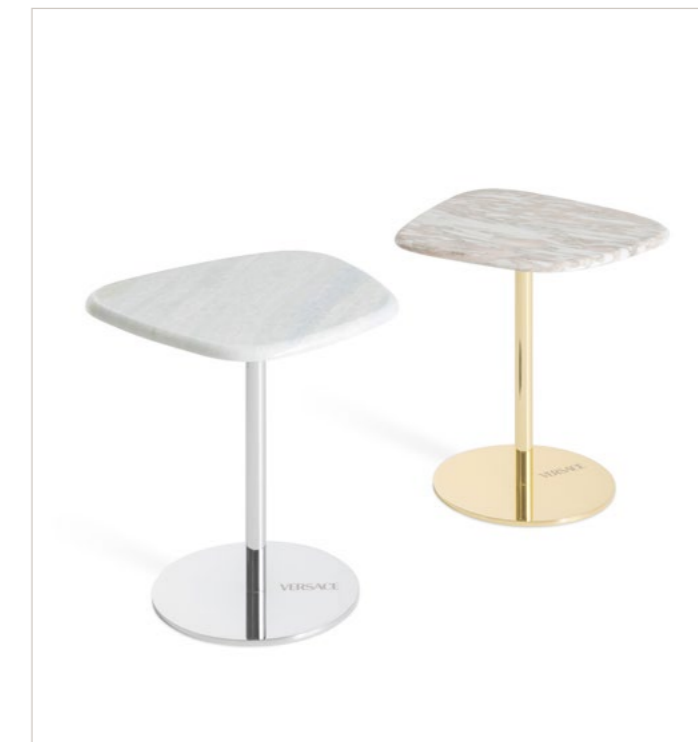
BRONZE

COFFEE AND SIDE TABLES

# ICONIC

The asymmetric, sensual and organic shapes of the tops, with their softly rounded edges, transform the Iconic coffee tables by Versace Home into gems for the home.

[↗ SEE ON WEBSITE](#)



# ICONIC

## TECHNICAL SHEET

### FRAME

Metal base and stem with polished Gold, polished chrome, gun-metal grey or Bronze finishing. Laser etched Versace logo on the base.

### TOP

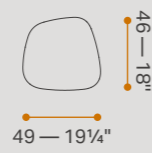
Marquina Black, Carrara Gioia, Fior di Pesco, Sahara Noir, Valentine Grey, Calacatta Gold, Calcite Blue, Bronze Fantasy marble or special marble Fiordo Rosa, with glossy finishing.

Under top steel plate, matt black varnished.

**N.B.** Each stone, being a natural product, is a one-of-a-kind piece and can therefore exhibit colour and structural differences.

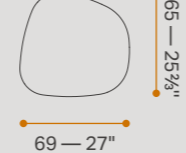
### Side table

TCV (33)



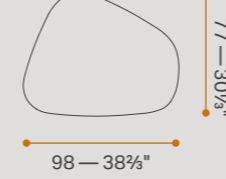
### Coffee table

TCV (34)



### Coffee table

TCV (35)



### Finishings - base and stem



### Marble - top

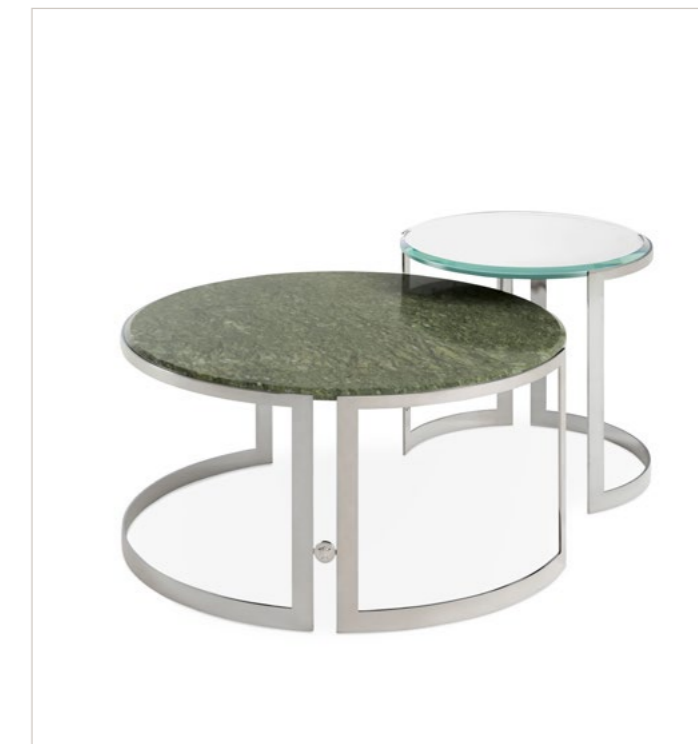


COFFEE AND SIDE TABLES

# ICONIC ROUND

The Iconic Round is a sculptural triptych of tables in different sizes, united by a bold and cohesive design vision. Available in polished gold, chrome or bronze finishes, the tables can be linked together to create a dynamic composition of light and reflection. Tops come in marble, glass, or mirror, capturing the Versace spirit. A 3D Metal Medusa logo, set into the metal frame, adds a distinctive touch that reflects the identity of the Maison.

[SEE ON WEBSITE](#)



# ICONIC ROUND

## TECHNICAL SHEET

### FRAME

Steel with polished Gold, polished chrome or Bronze finishing. 3D Metal Medusa logo with coordinated finishing.

### TOP

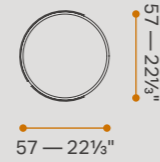
Marquina Black, Carrara Gioia, Fior di Pesco, Sahara Noir, Valentine Grey, Calacatta Gold, Calcite Blue, Green Ming, Bronze Fantasy or special marble Fiordo Rosa, with glossy finishing.

Alternative top versions:

- bevelled stratified glass, Dark Grey back lacquered black, extra clear back lacquered Arctic White.
- mirror silver colour or bronze colour, with Stardust stippled effect.

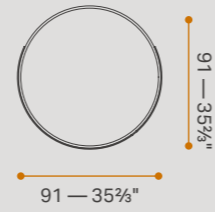
### Side table

TCV (52V) glass top  
TCV (52M) marble top



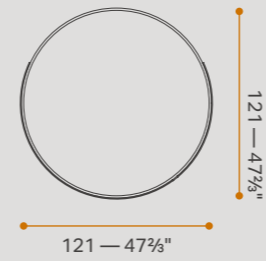
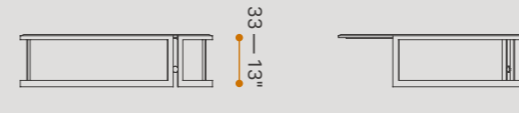
### Coffee table

TCV (53V) glass top  
TCV (53M) marble top

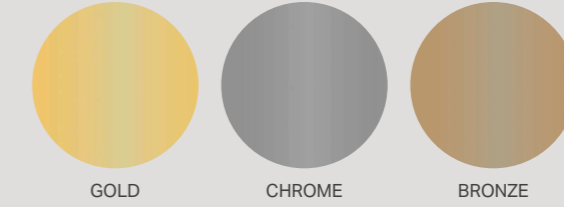


### Coffee table

TCV (54V) glass top  
TCV (54M) marble top



### Finishings - frame and logo

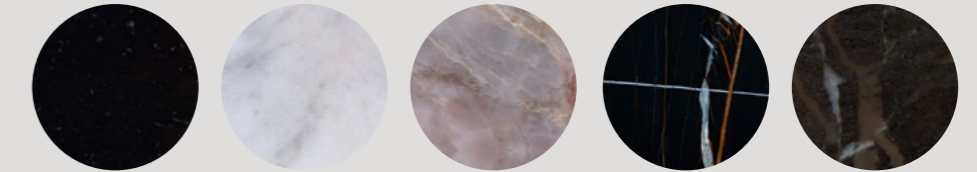


GOLD

CHROME

BRONZE

### Marble - top



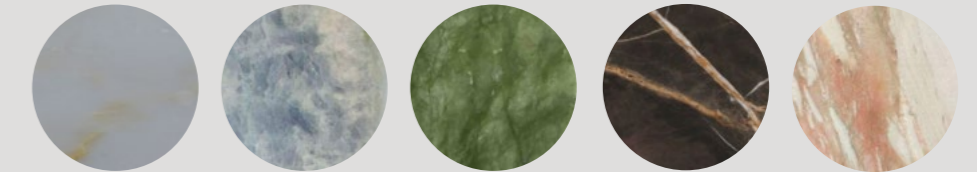
MARQUINA BLACK

CARRARA GIOIA

FIOR DI PESCO

SAHARA NOIR

VALENTINE GREY



CALACATTA GOLD

CALCITE BLUE

GREEN MING

BRONZE FANTASY

FIORDO ROSA

### Glass - top



BACK LACQUERED BLACK

BACK LACQUERED ARCTIC WHITE

SILVER STARDUST

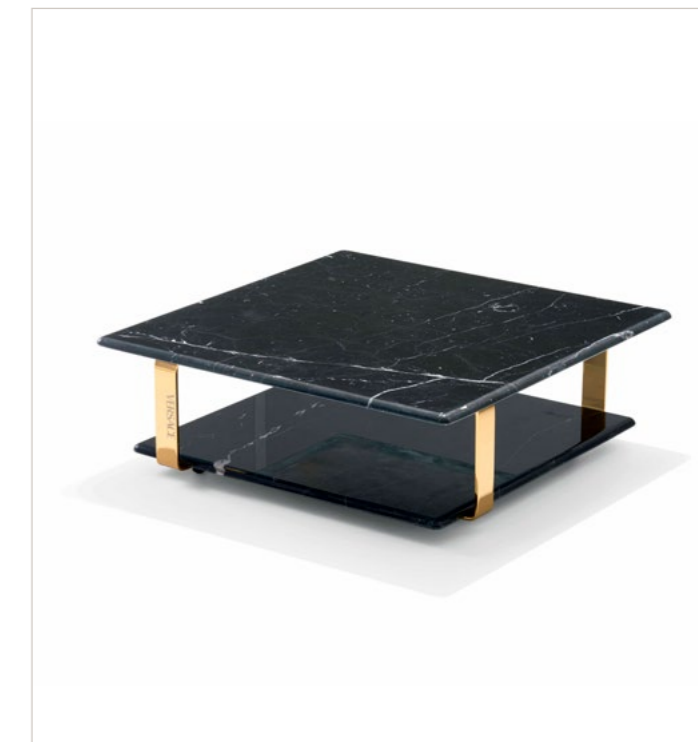
BRONZE STARDUST

COFFEE TABLE

# LA GRECA

Designed to embody the style and charm of Versace Home, La Greca coffee tables feature a steel varnished frame in Satin Grey colour or polished Gold finishing, with an etched Versace logo. The top is available in a precious selection of marbles, with glossy finishing.

[SEE ON WEBSITE](#)



# LA GRECA

## TECHNICAL SHEET

### FRAME

Steel varnished in Satin Grey colour or with polished Gold finishing.  
Etched Versace logo.  
Varnished steel feet in matt black colour.

### UPPER TOP

Marquina Black, Carrara Gioia, Fior di Pesco, Sahara Noir, Valentine Grey or Calacatta Gold marble, with glossy finishing.

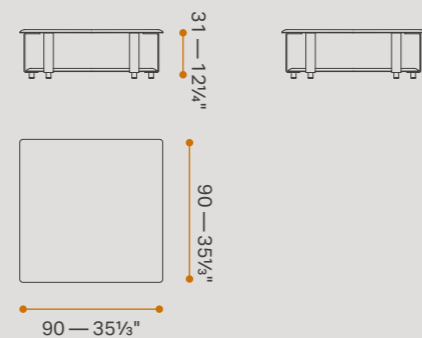
**N.B.** Each stone, being a natural product, is a one-of-a-kind piece and can therefore exhibit colour and structural differences.

### LOWER TOP

Marble coordinated with the upper top.

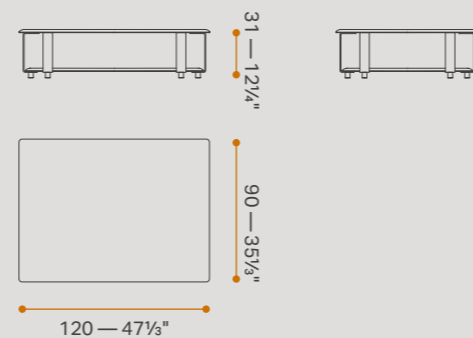
### Coffee table

TCV (27)



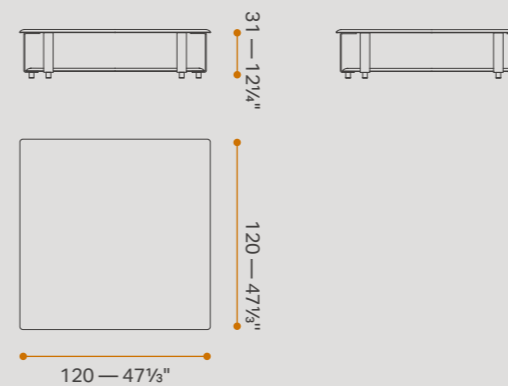
### Coffee table

TCV (28)



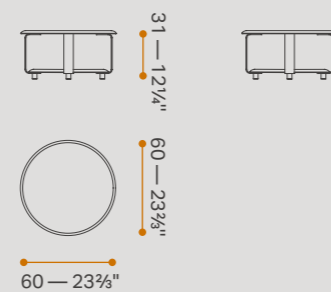
### Coffee table

TCV (29)



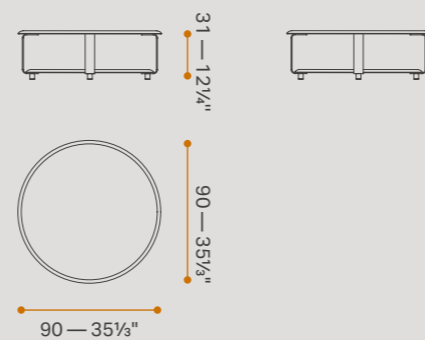
### Round coffee table

TCV (30)



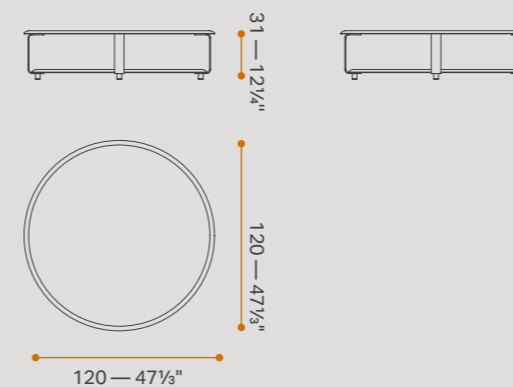
### Round coffee table

TCV (31)



### Round coffee table

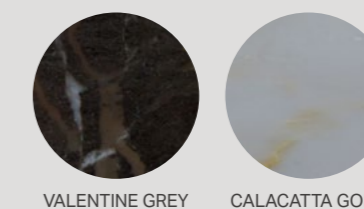
TCV (32)



### Finishings - frame



### Marble - top



COFFEE TABLE

# LA MEDUSA

In La Medusa coffee tables, the top tray is a celebration of brand's stylistic verve, featuring the La Greca motif or Medusa Amplified motif, available in multiple colours. A rebellious ode to Versace's creativity, the tables boast a varnished steel frame with polished Gold finishing.

➤ [SEE ON WEBSITE](#)



COFFEE TABLE

# LA MEDUSA

TECHNICAL SHEET

**FRAME**

Tubular varnished steel with polished Gold finishing.

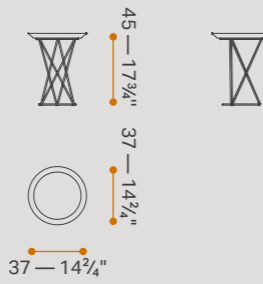
**TOP**

Take out steel top-tray black varnished with glossy finishing and with Medusa Amplified motif available in three colours: multicolor, green or pink.

Alternative version with La Greca motif, available in two colours: red or black.

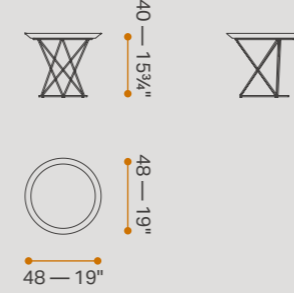
**Coffee table**

TCV (08)



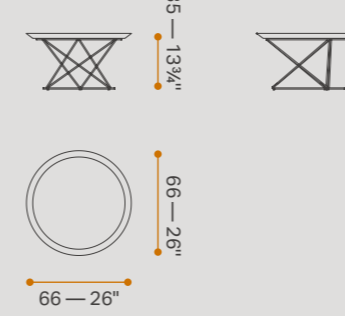
**Medium coffee table**

TCV (09)

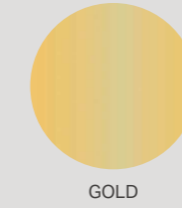


**Big coffee table**

TCV (10)



**Finishing - frame**



GOLD

COFFEE AND SIDE TABLES

# MEDALLION

Extremely refined in both appearance and design, Medallion coffee tables feature a stainless steel frame with polished Gold, polished chrome or Satin Grey finishing and extra clear or smoke grey glass top. An alternative version with the top in marble is also available. The lower top boasts a decorative application or a marble finish.

➤ [SEE ON WEBSITE](#)



# MEDALLION

## TECHNICAL SHEET

### FRAME

Steel with polished Gold, polished chrome, gun-metal grey or Satin Grey finishing. 3D Metal Medusa logo with polished Gold, polished chrome, gun-metal grey or Satin Grey finishing, coordinated with the frame.

### TOP

Extra clear glass suitable with Gold frame or smoke grey glass suitable with polished chrome, gun-metal grey or Satin Grey frame. Alternative version in Marquina Black, Carrara Gioia, Fior di Pesco, Sahara Noir, Valentine Grey or Calacatta Gold marble, with glossy finishing.

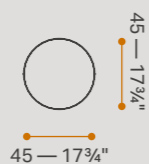
**N.B.** Each stone, being a natural product, is a one-of-a-kind piece and can therefore exhibit colour and structural differences.

### LOWER TOP

Steel with Medusa Amplified or La Greca decorative application in black or white colour, fixed on black matt wooden support. Alternative version in Marquina Black, Carrara Gioia, Fior di Pesco, Sahara Noir, Valentine Grey or Calacatta Gold marble, with glossy finishing.

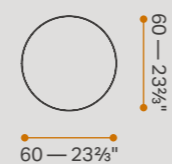
### Side table

TCV (07)



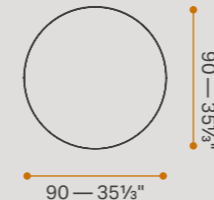
### Coffee table

TCV (04)



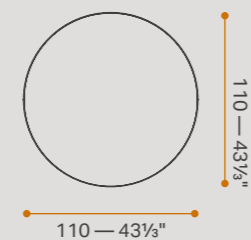
### Medium coffee table

TCV (05)



### Big coffee table

TCV (06)



### Finishings - frame and logo



GOLD

CHROME

GUN-METAL GREY

SATIN GREY

### Glass - top



EXTRA CLEAR GLASS

SMOKE GREY GLASS

### Marble - top

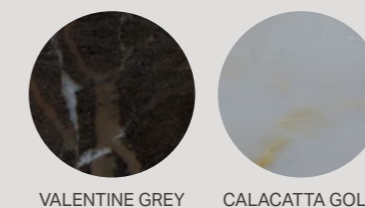


MARQUINA BLACK

CARRARA GIOIA

FIOR DI PESCO

SAHARA NOIR



VALENTINE GREY

CALACATTA GOLD

COFFEE TABLE

# MEDUSA '95

Featuring mirrored tops, graphic details, and metallic reflections, these Medusa '95 coffee tables enhance the living room with their sophisticated yet functional presence. Available with a top in marble, glass, or veneered wood, these coffee tables are personalized with a three-dimensional rendition of the House of Versace's iconic Medusa.

➤ [SEE ON WEBSITE](#)



# MEDUSA '95

## TECHNICAL SHEET

### FRAME

Steel with polished Gold, polished chrome or Bronze finishing. 3D Metal Medusa logo with coordinated finishing.

### TOP

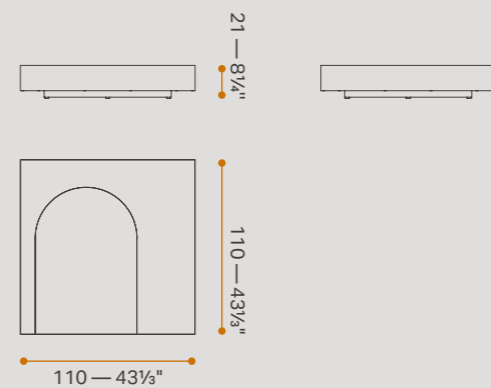
Tempered glass with silvered decoration in the following versions: extra clear back lacquered white, smoke grey back lacquered black, bronze back lacquered black, bronze back lacquered bronze, bronze with gold leaf on the back.

Alternative version in marble Marquina Black, Carrara Gioia, Sahara Noir, Calcite Blue, Calacatta Gold, Green Ming, with glossy finishing.

**N.B.** Each stone, being a natural product, is a one-of-a-kind piece and can therefore exhibit colour and structural differences.

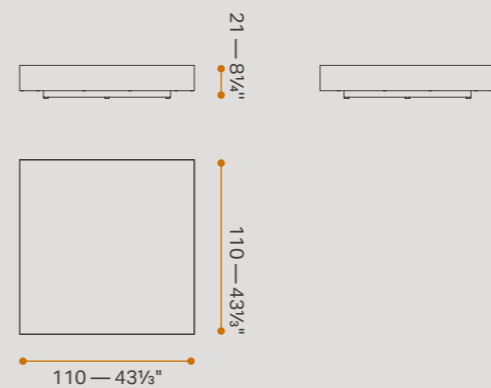
### Decor coffee table

TCV (50V) glass top



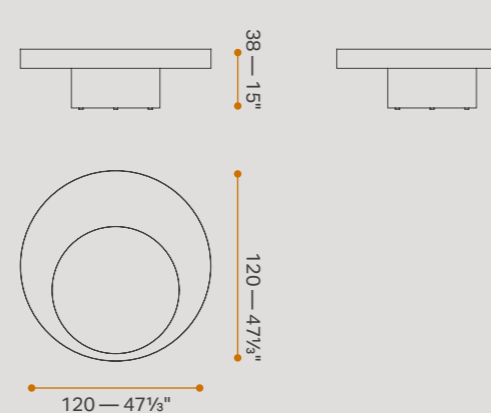
### Coffee table

TCV (50M) marble top



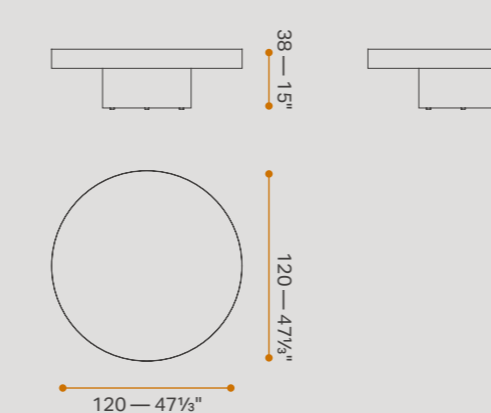
### Decor coffee table

TCV (51V) glass top

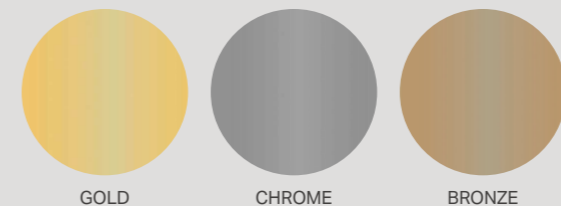


### Coffee table

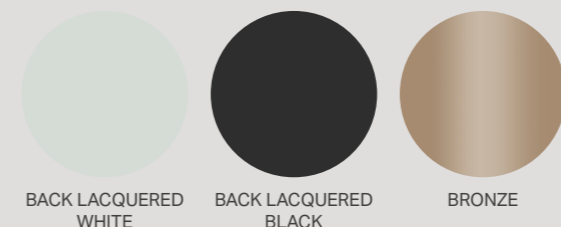
TCV (51M) marble top



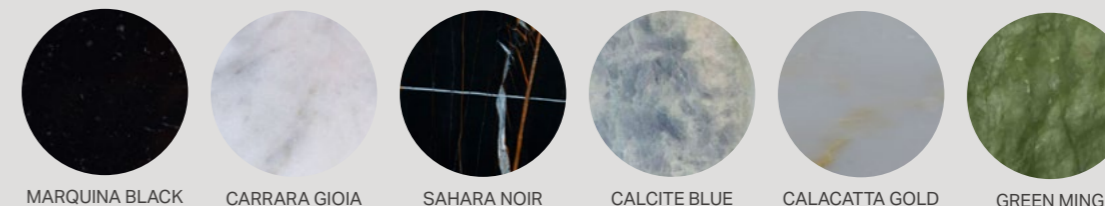
### Finishings - steel and logo



### Glass - top



### Marble - top



COFFEE TABLE

# STILETTO

In Stiletto coffee tables, Versace's forceful femininity is celebrated in every detail.

The aluminium frame with matt Satin Grey finishing and 3D Metal Medusa logo with polished Gold finishing can be topped with a selection of precious marbles, with glossy finishing. An alternative version is also available, featuring a wooden top veneered Ebony Macassar, with glossy brushed finishing.

➤ [SEE ON WEBSITE](#)



COFFEE TABLE

# STILETTO

TECHNICAL SHEET

**FRAME**

Aluminium with matt Satin Grey finishing.  
3D Metal Medusa logo with polished Gold finishing.

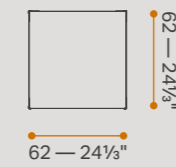
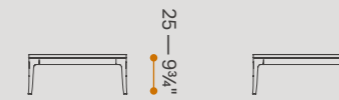
**TOP**

Marquina Black, Carrara Gioia, Fior di Pesco, Sahara Noir, Valentine Grey or Calacatta Gold or marble, with glossy finishing. Alternative version with wooden top veneered Ebony Macassar, with glossy brushed finishing.

**N.B.** Each stone, being a natural product, is a one-of-a-kind piece and can therefore exhibit colour and structural differences.

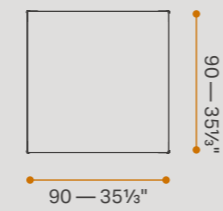
**Low coffee table**

TCV (37)



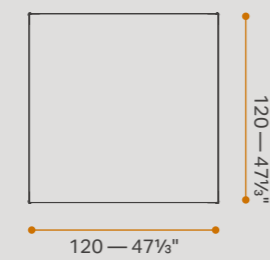
**Low coffee table**

TCV (38)



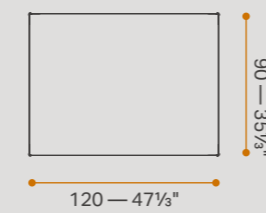
**Low coffee table**

TCV (39)



**Low coffee table**

TCV (40)



**Finishings - frame**



MATT SATIN GREY

**Finishings - logo**

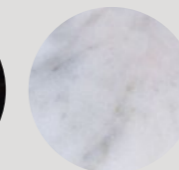


GOLD

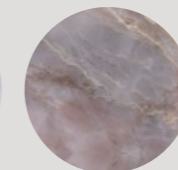
**Marble - top**



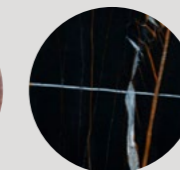
MARQUINA BLACK



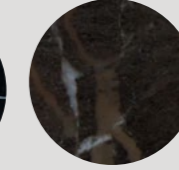
CARRARA GIOIA



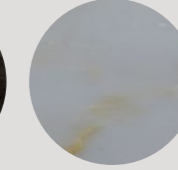
FIOR DI PESCO



SAHARA NOIR

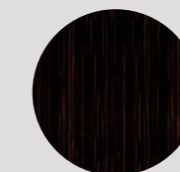


VALENTINE GREY



CALACATTA GOLD

**Veneered - top**



EBONY MACASSAR

# STILETTO

## TECHNICAL SHEET

### FRAME

Aluminium with matt Satin Grey finishing.  
3D Metal Medusa logo with polished Gold finishing.

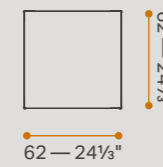
### TOP

Marquina Black, Carrara Gioia, Fior di Pesco, Sahara Noir, Valentine Grey or Calacatta Gold marble, with glossy finishing. Alternative version with wooden top veneered Ebony Macassar, with glossy brushed finishing.

**N.B.** Each stone, being a natural product, is a one-of-a-kind piece and can therefore exhibit colour and structural differences.

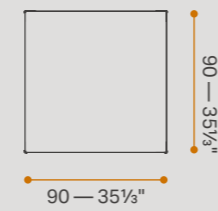
### Coffee table

TCV (41)



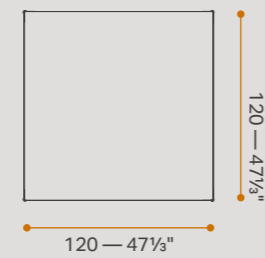
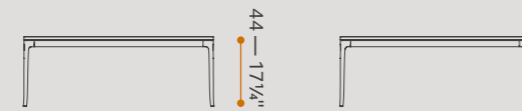
### Coffee table

TCV (42)



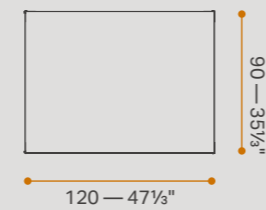
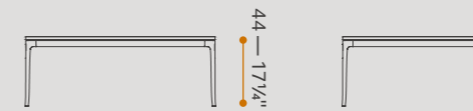
### Coffee table

TCV (43)



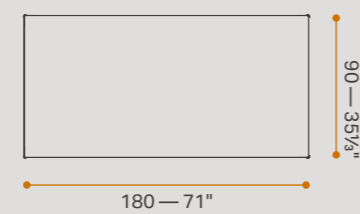
### Coffee table

TCV (44)



### Coffee table

TCV (45)



### Finishings - frame



MATT SATIN GREY

### Finishings - logo

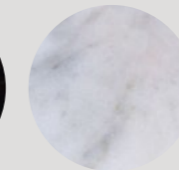


GOLD

### Marble - top



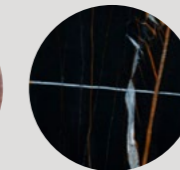
MARQUINA BLACK



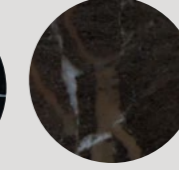
CARRARA GIOIA



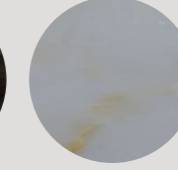
FIOR DI PESCO



SAHARA NOIR

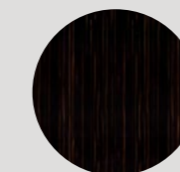


VALENTINE GREY



CALACATTA GOLD

### Veneered - top



EBONY MACASSAR

COFFEE AND SIDE TABLES

# THE STAGE

With its rounded design, The Stage coffee table becomes the centrepiece of the living area. The curved legs, available in lacquered or wood veneered versions, support a beveled top in stratified glass or in a selection of marbles with glossy finish. The iconic 3D Metal Medusa logo, applied on the metal detail joining the two legs, completes the piece with a distinctive signature.

[SEE ON WEBSITE](#)



# THE STAGE

## TECHNICAL SHEET

### LEGS

Curved wood lacquered ivory, black, Arctic White, Stone, Quartz Grey or Pearl Grey, glossy brushed finishing or veneered Stone Sycamore, Pale Grey Sycamore, Honey Awari, Dark Smoked Red Gum or Ebony Macassar, glossy brushed finishing. Metal decoration with 3D Metal Medusa logo, polished Gold, polished chrome or Bronze finishing.

### TOP

#### Bevelled and stratified glass top version

- extra clear glass back lacquered coordinated for the version with the lacquered legs ivory, Arctic White, Pearl Grey or veneered legs Honey Hawari or Pale Grey Sycamore.

- extra clear glass back lacquered Night Sun for the version with lacquered legs Stone, Quartz Grey or veneered legs Stone Sycamore.

- Dark Grey glass back lacquered black for the version with black lacquered legs or veneered legs Dark Smoked Red Gum or Ebony Macassar.

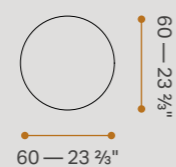
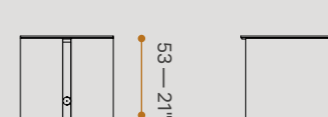
#### Marble top version

Carrara Gioia, Valentine Grey, Sahara Noir, Calcite Blue, Fiordo Rosa, Calacatta Gold, Green Ming, Bronze Fantasy or Oriental Wave, with glossy finishing.

**N.B.** Each stone, being a natural product, is a one-of-a-kind piece and can therefore exhibit colour and structural differences.

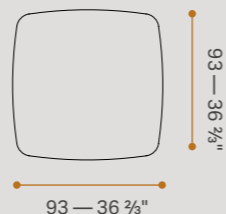
### Side table

TCV (57VE) wooden legs + glass top  
 TCV (57VL) wooden lacquered legs + glass top  
 TCV (57ML) wooden lacquered legs + marble top  
 TCV (57ME) wooden legs + marble top



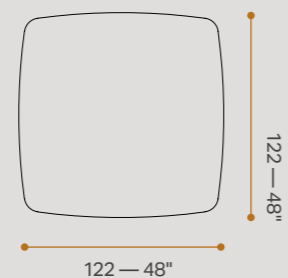
### Coffee table

TCV (58VE) wooden legs + glass top  
 TCV (58VL) wooden lacquered legs + glass top  
 TCV (58ML) wooden lacquered legs + marble top  
 TCV (58ME) wooden legs + marble top

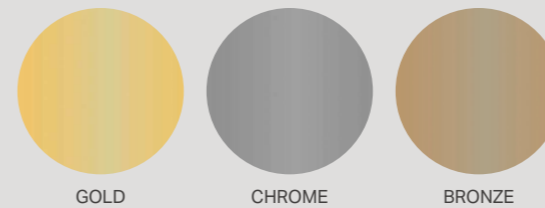


### Square coffee table

TCV (59VE) wooden legs + glass top  
 TCV (59VL) wooden lacquered legs + glass top  
 TCV (59ML) wooden lacquered legs + marble top  
 TCV (59ME) wooden legs + marble top



### Finishings - decoration and logo



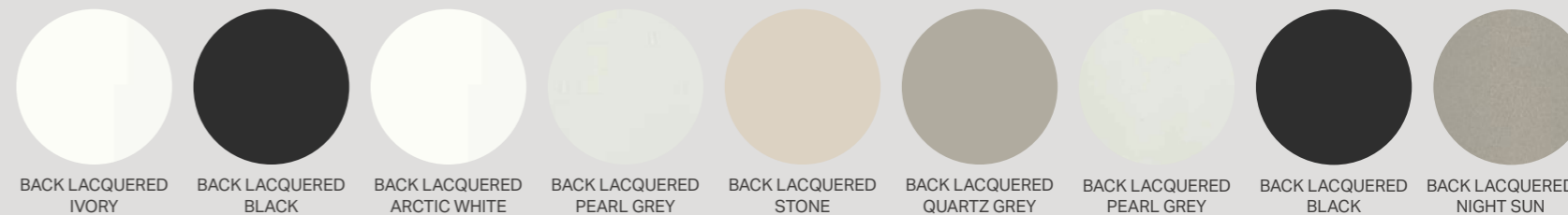
### Lacquered - legs



### Veneered - legs



### Glass - top



### Marble - top



COFFEE TABLE

# V-MARBLE

In three different dimensions, to be displayed individually or ensembled to make a strong impact, V-Marble coffee tables eloquently express the luxuriousness of Versace Home.

The tops are available in Carrara Gioia or Marquina Black marble, while the base is covered in leather, with V-shaped quilting and a Barocco V Metal logo.

[SEE ON WEBSITE](#)



# V-MARBLE

## TECHNICAL SHEET

### FRAME / BASE

Solid wood and curved wood, covered in leather with V-Shape quilting.

Stainless steel base with polished Gold, polished chrome or Satin Grey finishing edge.

Barocco V Metal logo with polished Gold or polished chrome finishing.

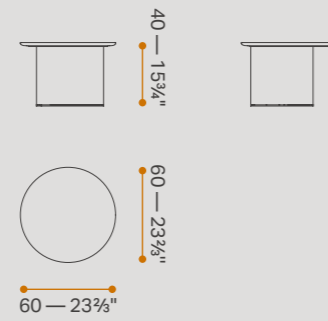
### TOP

Marquina Black, Carrara Gioia, Fior di Pesco, Sahara Noir, Valentine Grey or Calacatta Gold marble, with glossy finishing.

**N.B.** Each stone, being a natural product, is a one-of-a-kind piece and can therefore exhibit colour and structural differences.

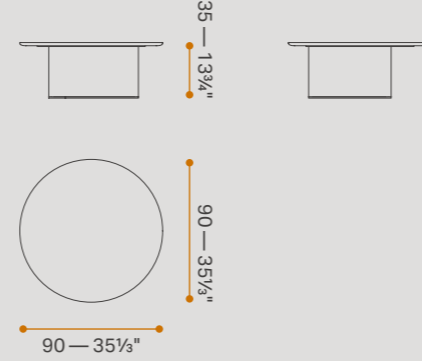
### Coffee table

TCV (03)



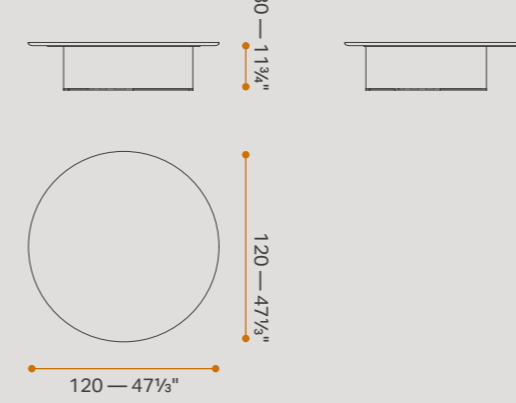
### Coffee table

TCV (01)

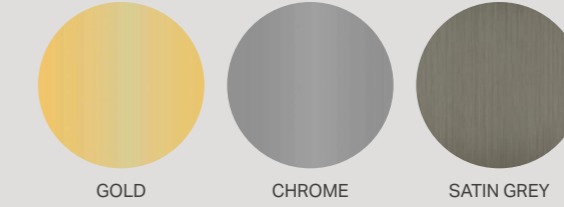


### Big coffee table

TCV (02)



### Finishings - base

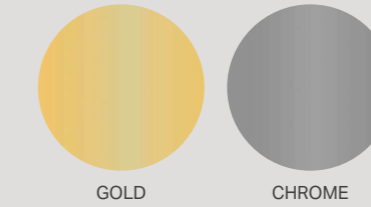


GOLD

CHROME

SATIN GREY

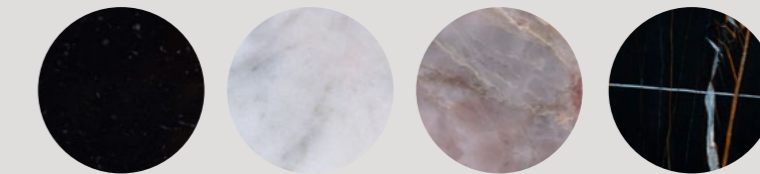
### Finishings - logo



GOLD

CHROME

### Marble - top

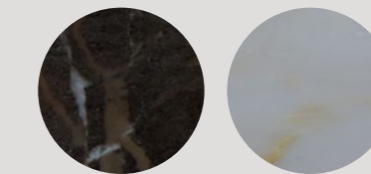


MARQUINA BLACK

CARRARA GIOIA

FIOR DI PESCO

SAHARA NOIR



VALENTINE GREY

CALACATTA GOLD

# CONSOLES

CONSOLE

# GRECA VANITY

Detailed with the Greca glazed pattern, Greca console by Versace Home is topped with Carrara Gioia or Marquina Black marble with glossy finishing. The seductive design is adorned with a stainless-steel handle featuring the 3D Metal Medusa logo.

➤ [SEE ON WEBSITE](#)



CONSOLE

# GRECA VANITY

## TECHNICAL SHEET

### FRAME

Black or ivory lacquered wood with glossy brushed finishing, suitable for freestanding use.

Foot covers in varnished stainless steel with polished Gold or Satin Grey finishing.

### TOP

Marquina Black, Sahara Noir or Valentine Grey marble with glossy finishing, for the version with black glossy brushed lacquered frame.

Carrara Gioia, Fior di Pesco, Calacatta Gold marble, with glossy finishing, for the version with ivory glossy brushed lacquered frame.

**N.B.** Each stone, being a natural product, is a one-of-a-kind piece and can therefore exhibit colour and structural differences.

### DRAWER

Wooden lacquered frontal cover, coordinated with the frame, internal drawer covered with microfibre. Stainless steel handle with 3D Metal Medusa logo, finishing coordinated with the foot covers.

### OPTIONAL

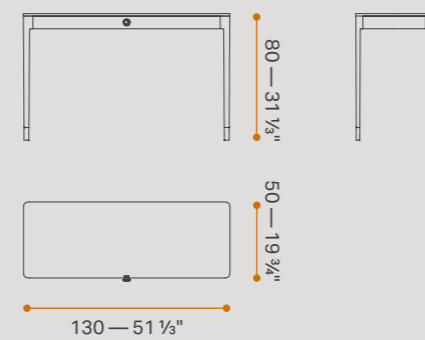
Mirror in extra clear glass with Greca pattern glazed decoration, fixed on a wooden support.

Frame and mirror base support in stainless steel, varnished in colour coordinated with the foot covers.

Reclining mirror system (5°), in matt black varnished steel.

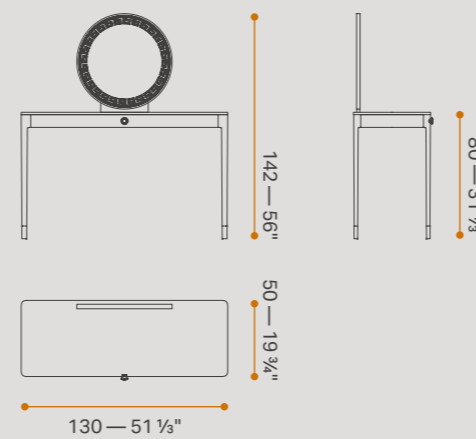
### Console

VTB (05)



### Console with optional mirror

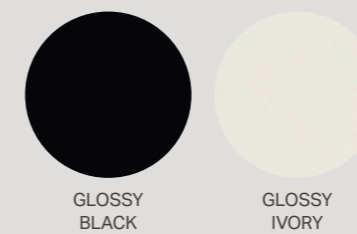
VTB (05)



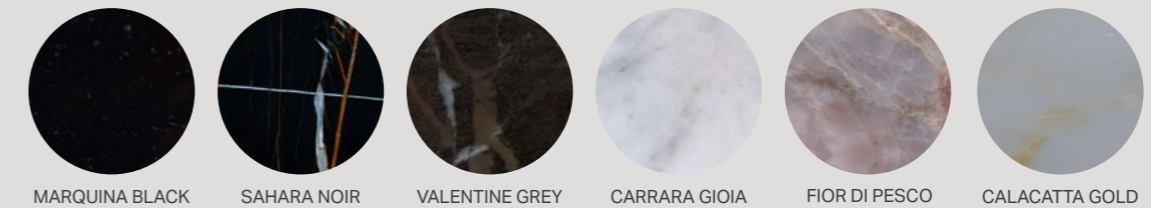
### Finishings - foot cover



### Lacquered - frame



### Marble - top



LADY DESK

# VIA GESÙ GRECA

The Via Gesù Greca Lady Desk by Versace Home features a solid steel frame – offered in polished gold, polished chrome, or gun-metal grey finishes – supporting a lacquered or wood-covered top with a brushed glossy finish. The drawers, with coordinated wooden fronts or upholstered in leather, are enhanced by steel details bearing the La Greca logo, a distinctive emblem of the House. Also available with an optional extra-clear mirror, this piece gives character to beauty corners or studies, introducing enduring luxury.

➤ [SEE ON WEBSITE](#)



LADY DESK

# VIA GESÙ GRECA

## TECHNICAL SHEET

### FRAME

Steel with polished Gold, polished chrome or gun-metal grey finishing.

### TOP

Wood lacquered ivory, black, Arctic White, Pearl Grey, Stone or Quartz Grey, glossy brushed finishing.

### DRAWERS

Wooden frontal, finishing coordinated with the top or covered in Ottawa leather, matt black lacquered inside and covered in microfibre.

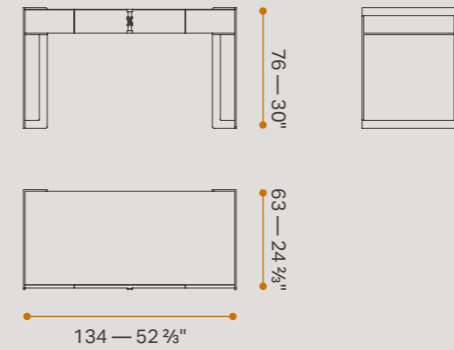
Steel details with La Greca logo, finishing coordinated with the frame, applied on a Ottawa leather band coordinated with the top.

### OPTIONAL

Extraclear bevelled mirror with coordinated steel frame.

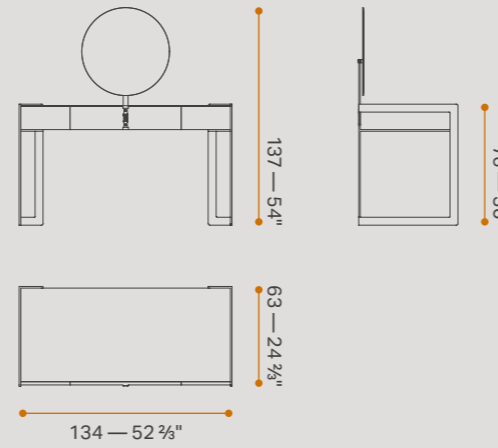
### Lady desk

VTB (28GL) lacquered

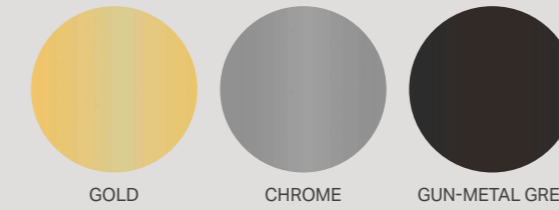


### Lady desk with optional mirror

VTB (28GL) lacquered



### Finishings - frame



GOLD

CHROME

GUN-METAL GREY

### Lacquered - top and drawers



GLOSSY  
IVORY

GLOSSY  
BLACK

GLOSSY  
ARCTIC WHITE

GLOSSY  
PEARL GREY

GLOSSY  
STONE

GLOSSY  
QUARTZ GREY

CONSOLE

# VIA GESÙ MEDUSA

Featuring a top available in lacquered wood, veneered wood, or a selection of precious marbles, the Via Gesù Medusa console is a tasteful accent for hallways, living rooms, and entrance areas. Rising above a metal frame, the console is embellished with a three-dimensional emblem of the Maison.

➤ [SEE ON WEBSITE](#)



CONSOLE  
**VIA GESÙ  
 MEDUSA**

TECHNICAL SHEET

**FRAME**

Steel with polished Gold, polished chrome, gun-metal grey or Bronze finishing.

**TOP**

Wood lacquered ivory, black, Arctic White, Pearl Grey, Stone or Quartz Grey, glossy brushed finishing.

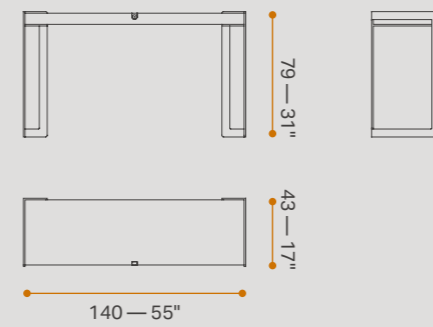
Alternative version in marble Calacatta Gold, Carrara Gioia, Calcite Blue, Green Ming, Marquina Black, Sahara Noir, Valentine Grey.

**N.B.** Each stone, being a natural product, is a one-of-a-kind piece and can therefore exhibit colour and structural differences.

Steel details with 3D Metal Medusa logo, finishing coordinated with the frame.

**Console**

VTB (29L) lacquered  
 VTB (29M) marble



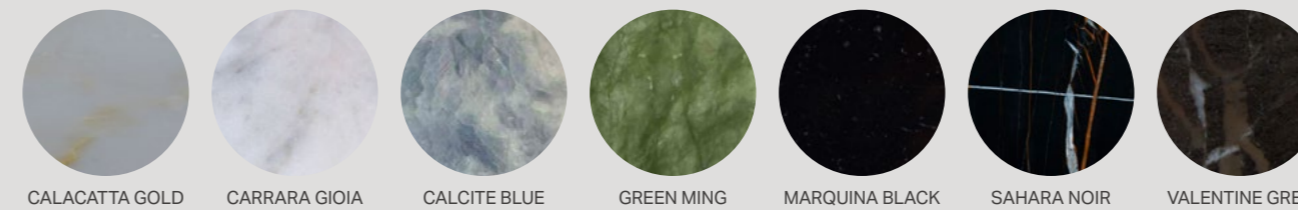
**Finishings - frame and logo**



**Lacquered - top**



**Marble - top**



LADY DESK

# VIA GESÙ MEDUSA

With its minimal, discrete presence, Via Gesù Medusa lady desk pairs essential lines with an iconic decoration: a three-dimensional version of the House of Versace's Medusa adorns the centre drawer. This sophisticated desk can be accessorized with a circular mirror in extraclear glass, coordinated to match the frame.

➤ [SEE ON WEBSITE](#)



LADY DESK

# VIA GESÙ MEDUSA

## TECHNICAL SHEET

### FRAME

Steel with polished Gold, polished chrome, gun-metal grey or Bronze finishing.

### TOP

Wood lacquered ivory, black, Arctic White, Pearl Grey, Stone or Quartz Grey, glossy brushed finishing.

### DRAWERS

Wooden frontal, finishing coordinated with the top or covered in Ottawa leather, matt black lacquered inside and covered in microfibre.

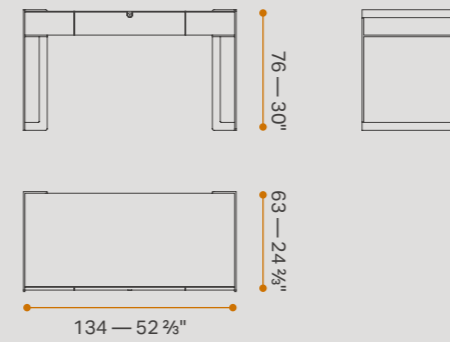
Steel details with 3D Metal Medusa logo, finishing coordinated with the frame.

### OPTIONAL

Extra clear bevelled mirror with coordinated steel frame.

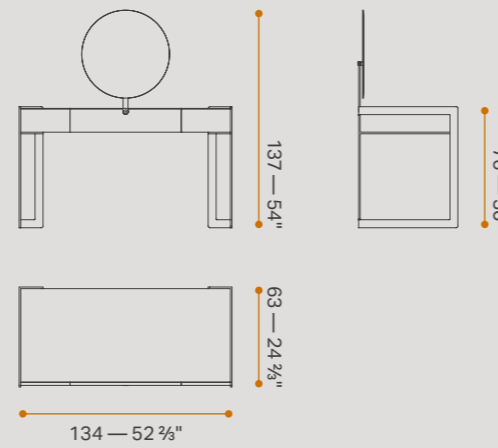
### Lady desk

VTB (28L) lacquered



### Lady desk with optional mirror

VTB (28L) lacquered



### Finishings - frame and logo



### Lacquered - top and drawers



# BOOKSHELF

BOOKSHELF

# LA GRECA

The brand codes have been reimagined for the home, with the interplay of classicism with contemporary seduction that is distinctly Versace. In La Greca bookshelf, steel varnished dividers in Satin Grey colour or with polished Gold finishing, etched with the Versace logo, alternate with the wooden lacquered frame with glossy finishing.

➤ [SEE ON WEBSITE](#)



# LA GRECA

## TECHNICAL SHEET

### FRAME

Wood lacquered with glossy brushed finishing, available in ivory, black, Chianti, Pearl Grey, Stone or Quartz Grey colour.

Alternative version in wood veneered Ebony Macassar with glossy brushed finishing.

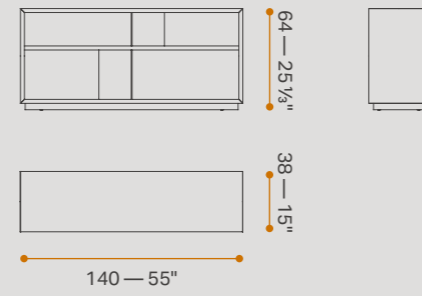
### DIVIDERS

Steel varnished in Satin Grey colour or with polished Gold finishing.

Etched Versace logo.

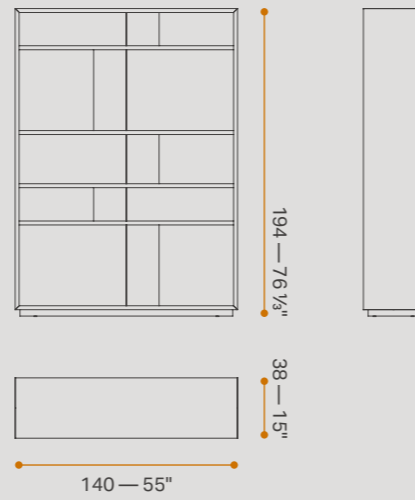
### Low bookshelf

VBM (11)



### High bookshelf

VBM (10)



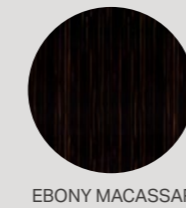
### Finishings - dividers



### Lacquered - frame



### Veneered - frame



# **CABINETS**

CABINET

# ICONIC

Available with a top in back-lacquered glass or veneered wood, the Iconic cabinet by Versace Home stands out for the minimal design of the doors, embellished with a golden three-dimensional version of the unmistakable Medusa: an exclusive emblem that gives this furnishing a prestigious presence for sophisticated settings.

➤ [SEE ON WEBSITE](#)



# ICONIC

## TECHNICAL SHEET

### Back lacquered top version

#### FRAME

Wood lacquered ivory, black, Arctic White, Pearl Grey, Stone or Quartz Grey, glossy brushed finishing, inside lacquered with coordinated matt finishing. Internal back and lateral sides covered in bevelled mirror.

#### TOP

Tempered extra clear glass, back lacquered and coordinated with the frame or Dark Grey, back lacquered black and coordinated with the black lacquered frame.

#### HANDLES

Steel with polished chrome, polished Gold or gun-metal grey finishing with 3D Metal Medusa logo.

#### SHELVES

No. 2 tempered glass shelves, extra clear or Dark Grey colour.

### Veenered top version

#### FRAME

Wood veneered Honey Awari, Dark Smoked Red Gum or Ebony Macassar with glossy brushed finishing, inside with coordinated lacquered colour, matt finishing.

Internal back and lateral sides covered in bevelled mirror.

#### TOP

Veneered wood, coordinated with the frame.

#### HANDLES

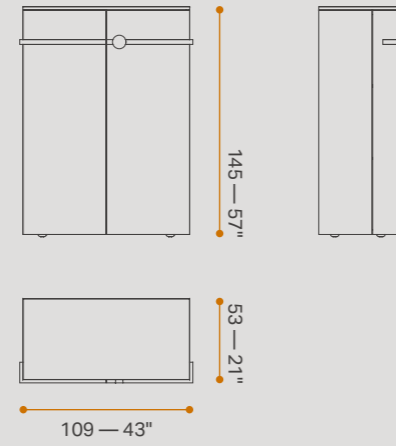
Steel with polished chrome, polished Gold or gun-metal grey finishing with 3D Metal Medusa logo.

#### SHELVES

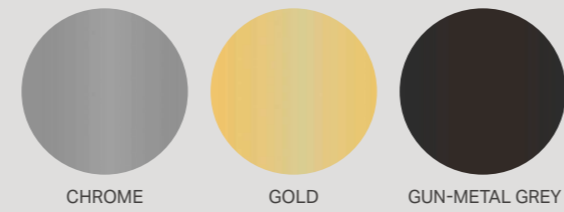
No. 2 tempered glass shelves, extra clear or Dark Grey colour.

### Cabinet

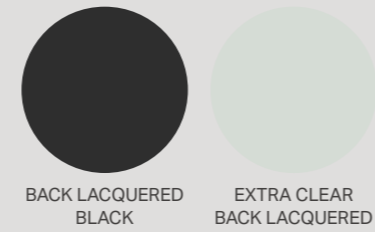
VMB (26)



### Finishings - handles



### Glass - top and shelves



### Lacquered - frame



### Veneered - frame

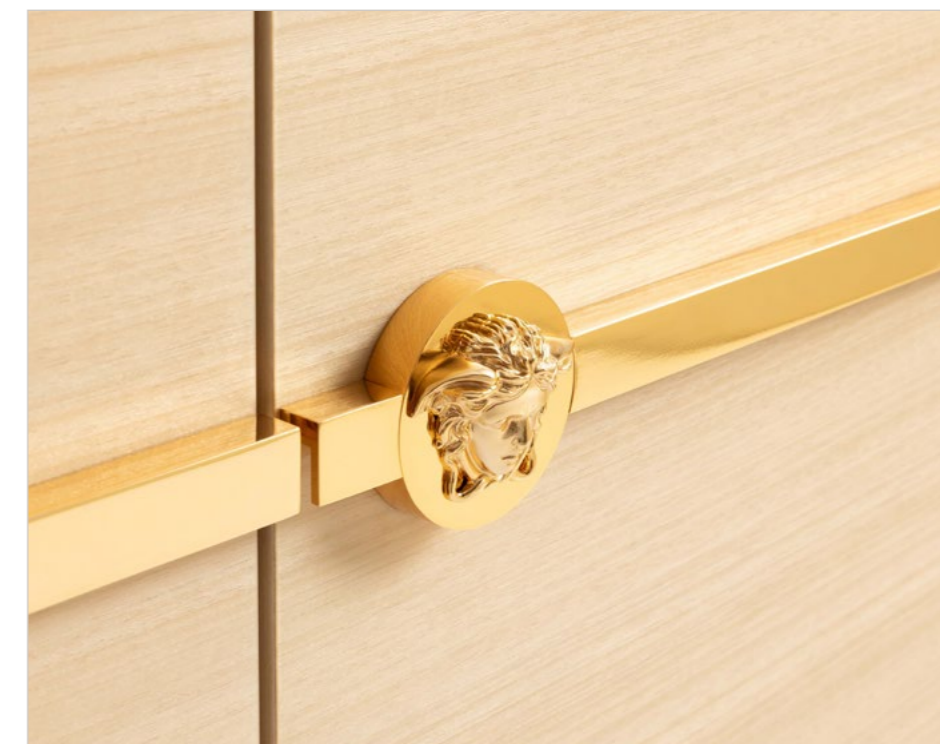
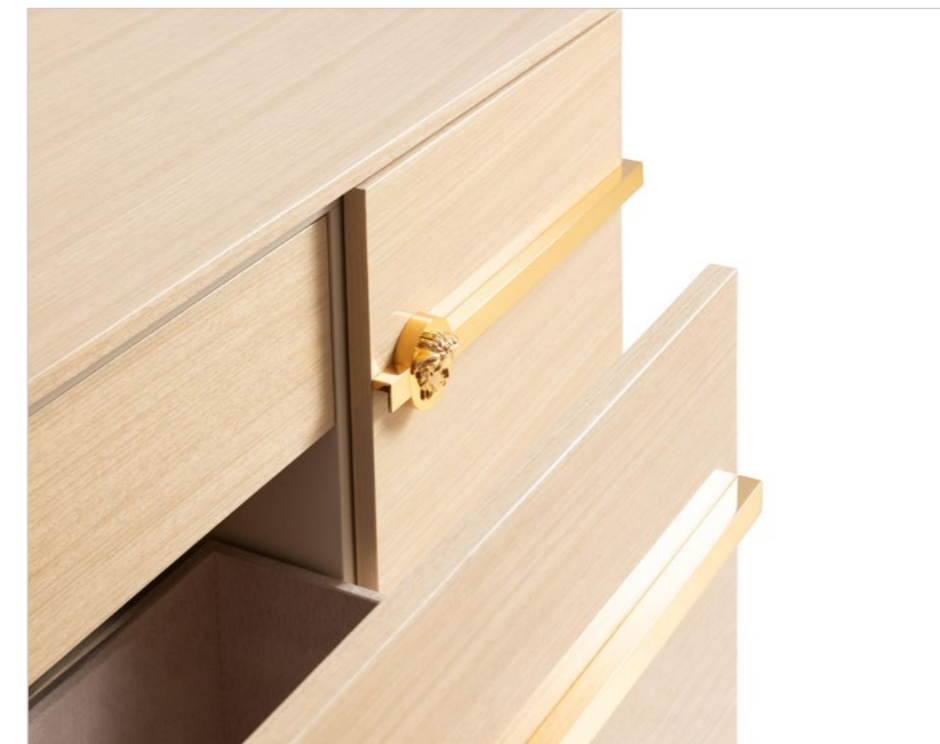


CABINET

# ICONIC BUFFET

Designed to enhance living rooms, offering spacious storage and an unquestionably luxurious appeal, the Iconic Buffet by Versace Home captivates with its visual lightness and finishes. Available topped with back-lacquered glass or veneered wood, this cabinet boasts minimal drawers trimmed with handles featuring a three-dimensional rendition of the House of Versace's unmistakable golden Medusa.

➤ [SEE ON WEBSITE](#)



# ICONIC BUFFET

## TECHNICAL SHEET

### Back lacquered top version

#### FRAME

Wood lacquered Arctic White, Pearl Grey, ivory, black, Stone or Quartz Grey, glossy brushed finishing, inside lacquered with coordinated matt finishing.

#### TOP

Tempered extra clear glass, back lacquered and coordinated with the frame or Dark Grey, back lacquered black and coordinated with the black lacquered frame.

#### HANDLES

Steel with polished chrome, polished Gold or gun-metal grey finishing with 3D Metal Medusa logo.

#### INTERNAL DRAWER

Wood lacquered with matt finishing, inside covered in microfibre.

#### SHELVES

No. 2 tempered glass shelves, extra clear or Dark Grey colour.

### Veneered top version

#### FRAME

Wood veneered Honey Awari, Dark Smoked Red Gum or Ebony Macassar with glossy brushed finishing, inside with coordinated lacquered colour, matt finishing.

#### TOP

Veneered wood, coordinated with the frame.

#### HANDLES

Steel with polished chrome, polished Gold or gun-metal grey finishing with 3D Metal Medusa logo.

#### INTERNAL DRAWER

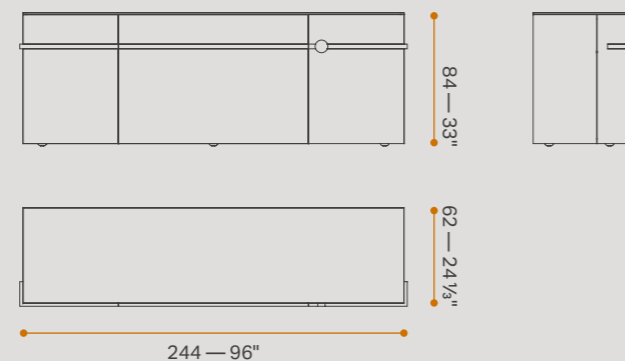
Wood with veneered frontal drawer coordinated with the frame, glossy brushed finishing, inside covered in microfibre.

#### SHELVES

No. 2 tempered glass shelves, extra clear or DarkGrey colour.

### Buffet cabinet

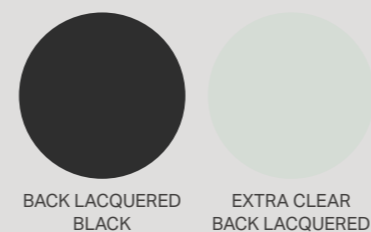
VMB (25)



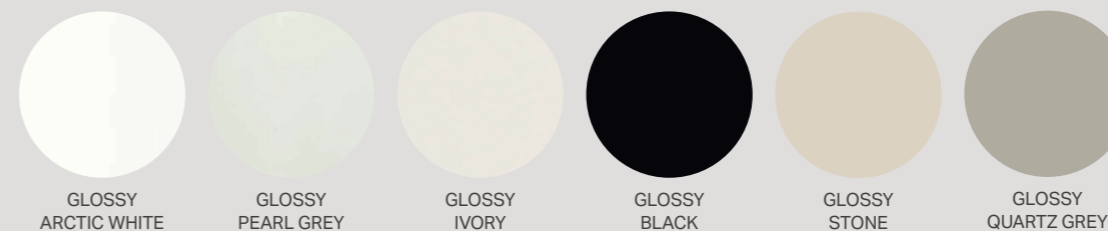
### Finishings - handles



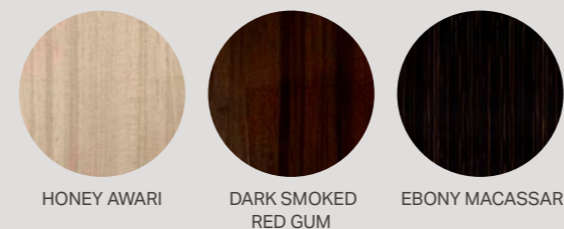
### Glass - top and shelves



### Lacquered - frame



### Veneered - frame



LOW CABINET

# ICONIC LOW

Refined lightness is embodied in the Iconic low cabinet by Versace Home, a storage solution featuring elements in stopsol glass, allowing infrared signals to pass through closed doors, so any remote controlled technological devices it contains can function from afar.

➤ [SEE ON WEBSITE](#)



# ICONIC LOW

## TECHNICAL SHEET

### Version with Stopsol\* reflecting glass, silver or smoke grey colour TOP

(\*) The closed shutters do not reject any infrared signals, allowing you to use any technology with remote control.

#### FRAME

Wood lacquered black with matt finishing, shutters and lateral sides with stopsol reflecting glass silver or smoke grey colour, back with cables holder.

#### HANDLES

Steel with polished chrome finishing coordinated with the silvers stopsol glass or gun-metal grey finishing coordinated with the smoke grey stopsol glass, with 3D Metal Medusa logo.

#### INTERNAL DRAWER

Black lacquered wood with matt finishing, inside covered in microfibre.

#### SHELVES

No. 2 stopsol glass shelves, silver or smoke grey colour, coordinated with the frame.

### Version with back lacquered glass TOP

Tempered extra clear glass, back lacquered and coordinated with the frame or Dark Grey, back lacquered black and coordinated with the black lacquered frame.

#### FRAME

Wood lacquered Arctic White, Pearl Grey, ivory, black, Stone or Quartz Grey, glossy brushed finishing, inside lacquered with coordinated matt finishing.

#### HANDLES

Steel with polished chrome, polished Gold or gun-metal grey finishing with 3D Metal Medusa logo.

#### INTERNAL DRAWER

Wood lacquered with matt finishing, inside covered in microfibre.

#### SHELVES

No. 2 tempered glass shelves, extra clear or Dark Grey colour, coordinated with the frame.

### Version with veneered wood TOP

Wood veneered Honey Awari, Dark Smoked Red Gum or Ebony Macassar with glossy brushed finishing, coordinated with the frame.

#### FRAME

Wood veneered Honey Awari, Dark Smoked Red Gum or Ebony Macassar with glossy brushed finishing, inside with coordinated lacquered colour, matt finishing.

#### HANDLES

Steel with polished chrome, polished Gold or gun-metal grey finishing with 3D Metal Medusa logo.

#### INTERNAL DRAWER

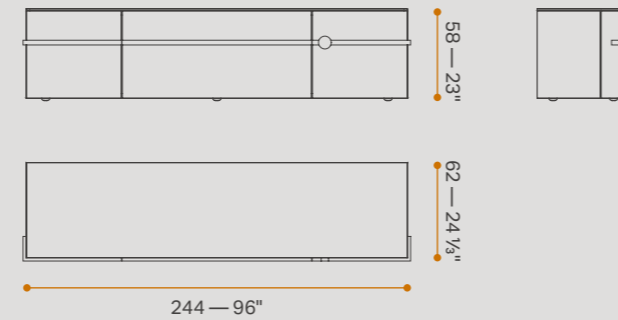
Wood with veneered frontal drawer coordinated with the frame, glossy brushed finishing, inside covered in microfibre.

#### SHELVES

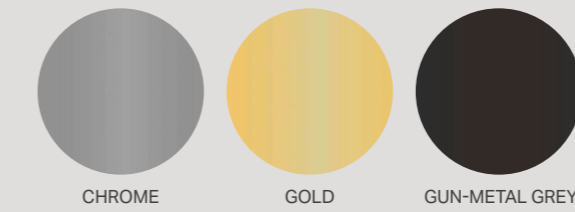
No. 2 tempered glass shelves, extra clear or Dark Grey colour, coordinated with the frame.

## Low cabinet

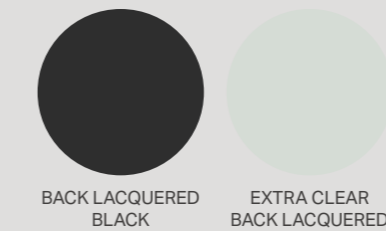
VMB (24)



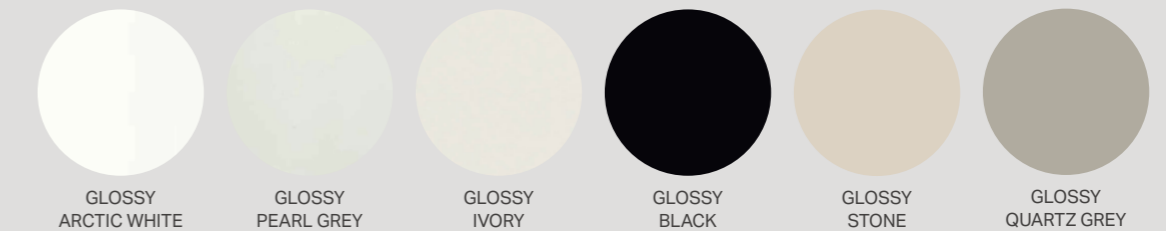
## Finishings - handles



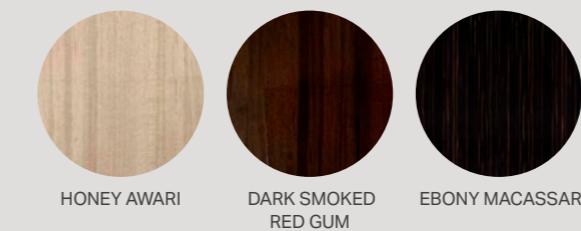
## Glass - top and shelves



## Lacquered - frame



## Veneered - frame

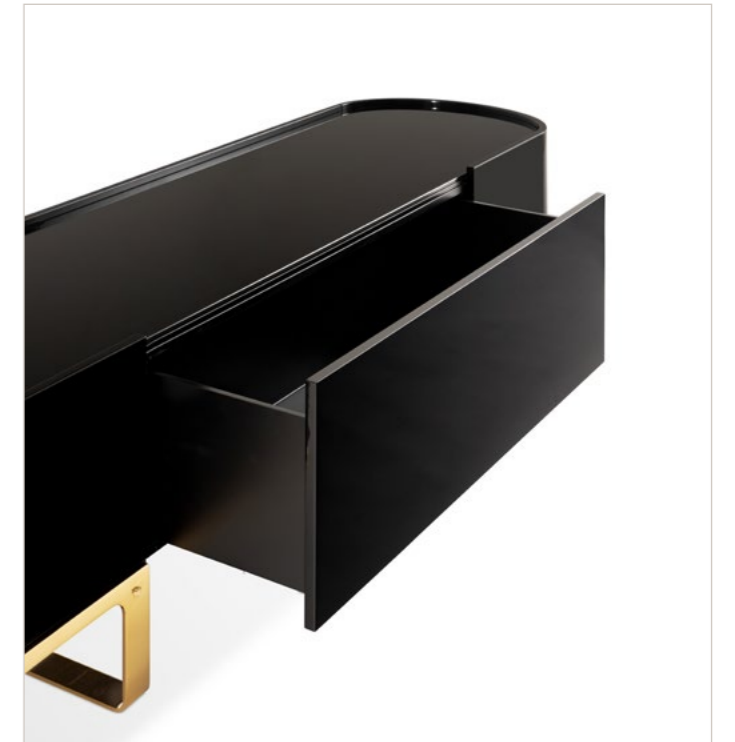
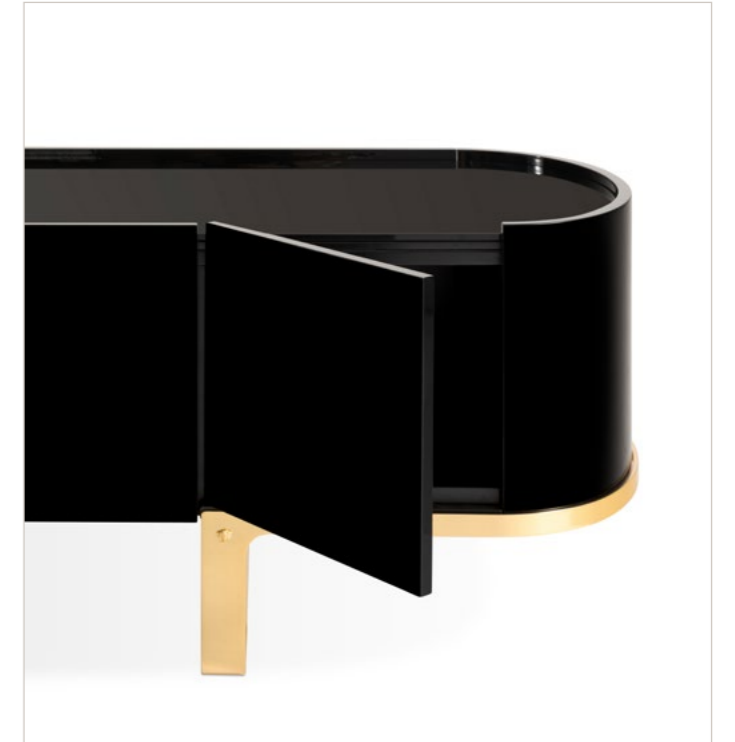


DECO CABINET

# LA MEDUSA

With rounded edges and a lacquered wood frame, the La Medusa deco cabinet elevates a room with its exquisitely modern design.

[SEE ON WEBSITE](#)



# LA MEDUSA

## TECHNICAL SHEET

### FRAME

Wood lacquered Arctic White, Pearl Grey, ivory, black, Stone or Quartz Grey, glossy brushed finishing or veneered Honey Awari, Dark Smoked Red Gum, Ebony Macassar, glossy brushed finishing. Internal frame with coordinated matt lacquered finishing.

### TOP

Extraclear glass, back lacquered Arctic White, Pearl Grey, Ivory, coordinated with the frame or Dark Grey glass, back lacquered black, coordinated with the frame black or with the frame veneered Dark Smoked Red Gum, Ebony Macassar.

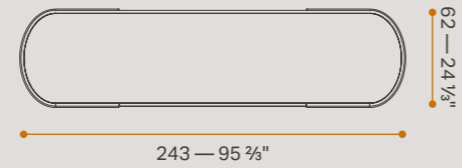
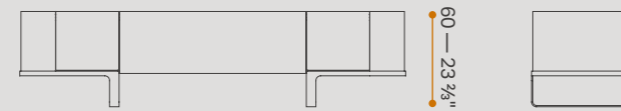
**N.B.** Each stone, being a natural product, is a one-of-a-kind piece and can therefore exhibit colour and structural differences.

### LEGS

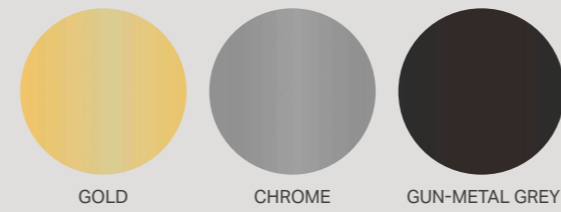
Steel with polished Gold, polished chrome or gun-metal grey finishing, with 3D Metal Medusa logo.

### Deco cabinet

VMB (27V)



### Finishings - handles

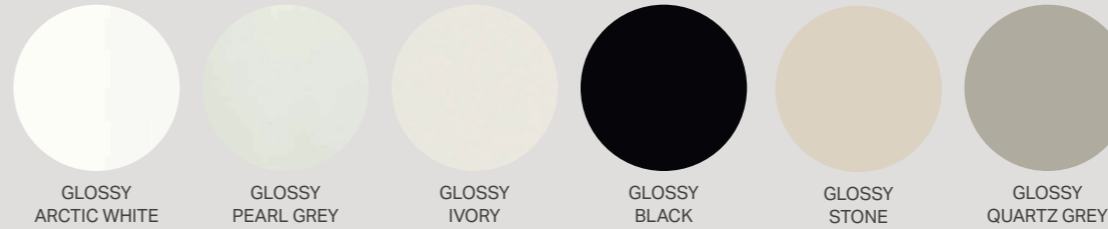


GOLD

CHROME

GUN-METAL GREY

### Lacquered - frame



GLOSSY  
ARCTIC WHITE

GLOSSY  
PEARL GREY

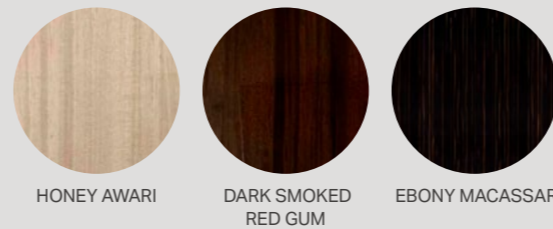
GLOSSY  
IVORY

GLOSSY  
BLACK

GLOSSY  
STONE

GLOSSY  
QUARTZ GREY

### Veneered - frame



HONEY AWARI

DARK SMOKED  
RED GUM

EBONY MACASSAR

### Glass - top



BACK LACQUERED  
ARCTIC WHITE

BACK LACQUERED  
PEARL GREY

BACK LACQUERED  
IVORY

BACK LACQUERED  
BLACK GLASS

### Veneered - top



DARK SMOKED  
RED GUM

EBONY MACASSAR

BAR CABINET

# STILETTO

In Stiletto Bar, Versace's forceful femininity is celebrated in every detail. The lacquered wood frame and doors are available in Chianti, black, ivory or red, with glossy brushed finishing or Satin Grey colour, with matt finishing. The steel handles are embellished with 3D Metal Medusa logo, in Satin Grey finishing.

➤ [SEE ON WEBSITE](#)



# STILETTO

## TECHNICAL SHEET

### FRAME

External and internal lacquered wood in Chianti, black or ivory, with glossy brushed finishing or Satin Grey colour, with matt finishing.  
 Internal upper storage with pull-out wooden tops, finishing coordinated with the internal frame.  
 External back lacquered in Satin Grey colour with matt finishing.  
 Internal back with extra clear mirror.

### TOP

Back varnished glass, in Chianti, black, ivory or Satin Grey colour with glossy brushed finishing.

### SHUTTERS

External and internal lacquered wood in Chianti, black, ivory or Satin Grey colour, with glossy brushed finishing.  
 Alternative version in wood veneered Ebony Macassar, with glossy brushed finishing.  
 No.2 steel handles with 3D Metal Medusa logo, with Satin Grey finishing.

### BASE

Aluminium with Satin Grey finishing.

### OPTIONAL TRAYS

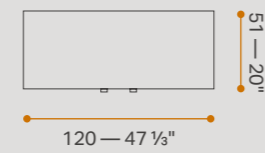
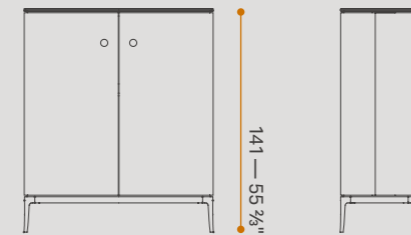
No.3 wooden trays with finishing coordinated with the internal frame, internal bottom covered with microfibre.

### OPTIONAL LED

Internal back with LED lighting that replaces the mirror.

### Bar cabinet

VMB (21)



### Finishing - logo and base

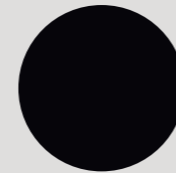


SATIN GREY

### Lacquered - frame



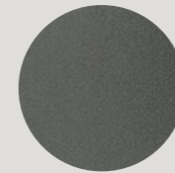
GLOSSY CHIANTI



GLOSSY BLACK



GLOSSY IVORY



MATT SATIN GREY

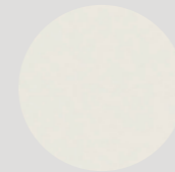
### Glass - top



GLOSSY CHIANTI



GLOSSY BLACK

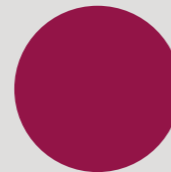


GLOSSY IVORY



GLOSSY SATIN GREY

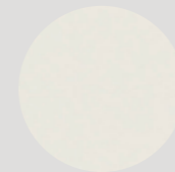
### Lacquered - shutters



GLOSSY CHIANTI



GLOSSY BLACK

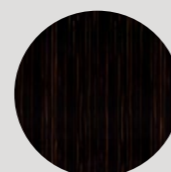


GLOSSY IVORY



GLOSSY SATIN GREY

### Veneered - shutters



EBONY MACASSAR

TALL CABINET

# STILETTO

In Stiletto tall cabinet by Versace Home, the lacquered wood construction is balanced with extra clear, stratified glass elements. The cabinet doors are in glossy lacquered Ebony Macassar, or in alternative version covered in leather or boast a variety of Versace's signature jacquard fabrics. Medusa handles add the perfect finishing touch.

➤ [SEE ON WEBSITE](#)



# STILETTO

## TECHNICAL SHEET

### FRAME

External lacquered wood in Satin Grey colour with matt finishing.  
Internal frame and three shelves Satin Grey lacquered with matt finishing, or black and ivory lacquered with glossy brushed finishing.  
Alternative version with internal frame covered in leather.  
Lateral sides with stratified extra clear glasses.

### SHUTTERS

Lacquered wood coordinated with external frame.  
External shutters covered in institutional fabric or leather. Alternative version in wood veneered Ebony Macassar, with glossy brushed finishing.  
Internal shutters with extra clear mirror.  
Steel handles with 3D Metal Medusa logo, with Satin Grey finishing.

### BASE

Aluminium with Satin Grey finishing.

### OPTIONAL 1

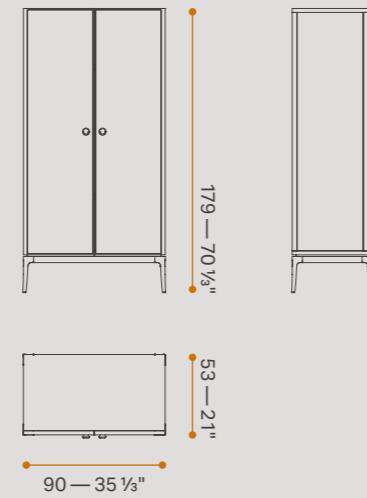
Alternative version to the central shelf: No.2 central drawers with finishing or cover coordinated with the internal frame. Inside covered with microfibre.

### OPTIONAL 2

LED lighting.

### Tall cabinet

VMB (01)

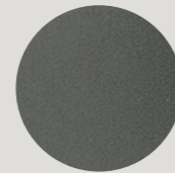


### Finishing - logo and base

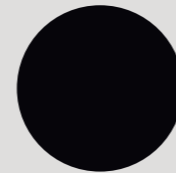


SATIN GREY

### Lacquered - frame and shutters



MATT  
SATIN GREY

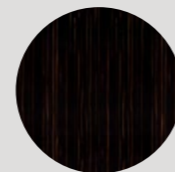


GLOSSY  
BLACK



GLOSSY  
IVORY

### Veneered - shutters



EBONY MACASSAR

# **CHEST OF DRAWERS**

CHEST OF DRAWERS

# ICONIC

Capable of conveying the House of Versace's unmistakable codes in the living and night areas, Iconic chest of drawers by Versace Home boasts an elegant, linear design embellished with a three-dimensional version of the Medusa on the handle.

[SEE ON WEBSITE](#)



# ICONIC

## TECHNICAL SHEET

### FRAME

Wood lacquered Arctic White, Pearl Grey, ivory, black, Stone or Quartz Grey, glossy brushed finishing. Alternative version in wood veneered Pale Grey Sycamore, Stone Sycamore, Honey Awari, Dark Smoked Red Gum or Ebony Macassar, with glossy brushed finishing.

### DRAWERS

Nr. 6 drawers with internal drawers covered in microfibre.

### TOP

Bevelled and tempered glass, extra clear and back lacquered, coordinated with the frame or Dark Grey and back lacquered black, coordinated with the black lacquered frame and with the veneered version Dark Smoked Red Gum and Ebony Macassar.

### HANDLE

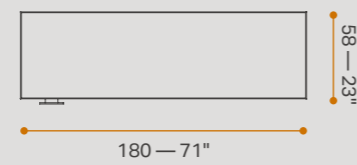
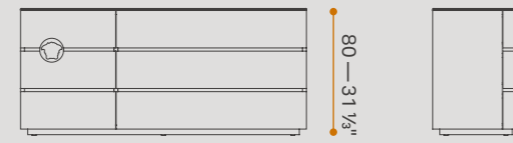
Steel with polished chrome or polished Gold finishing with 3D Metal Medusa logo, coordinated with the handle.

### BASE

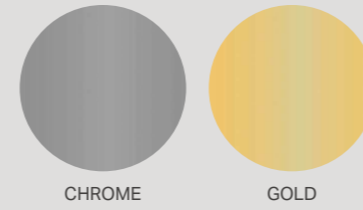
Wood covered in metal with polished chrome or polished Gold finishing.

### Chest of drawers

VMB (23) lacquered  
VMB (23E) veneered



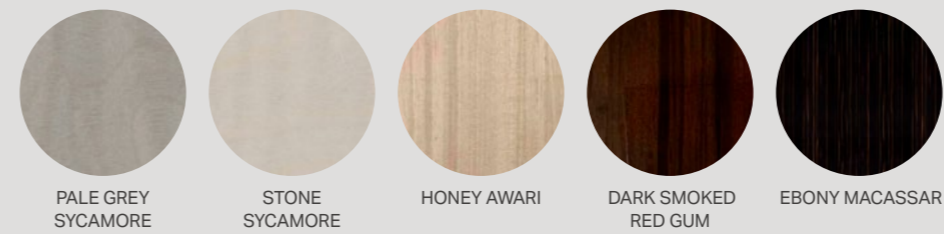
### Finishings - handle, logo and base



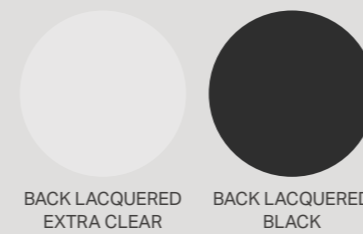
### Lacquered - frame



### Veneered - frame



### Glass - top



### Veneered - top

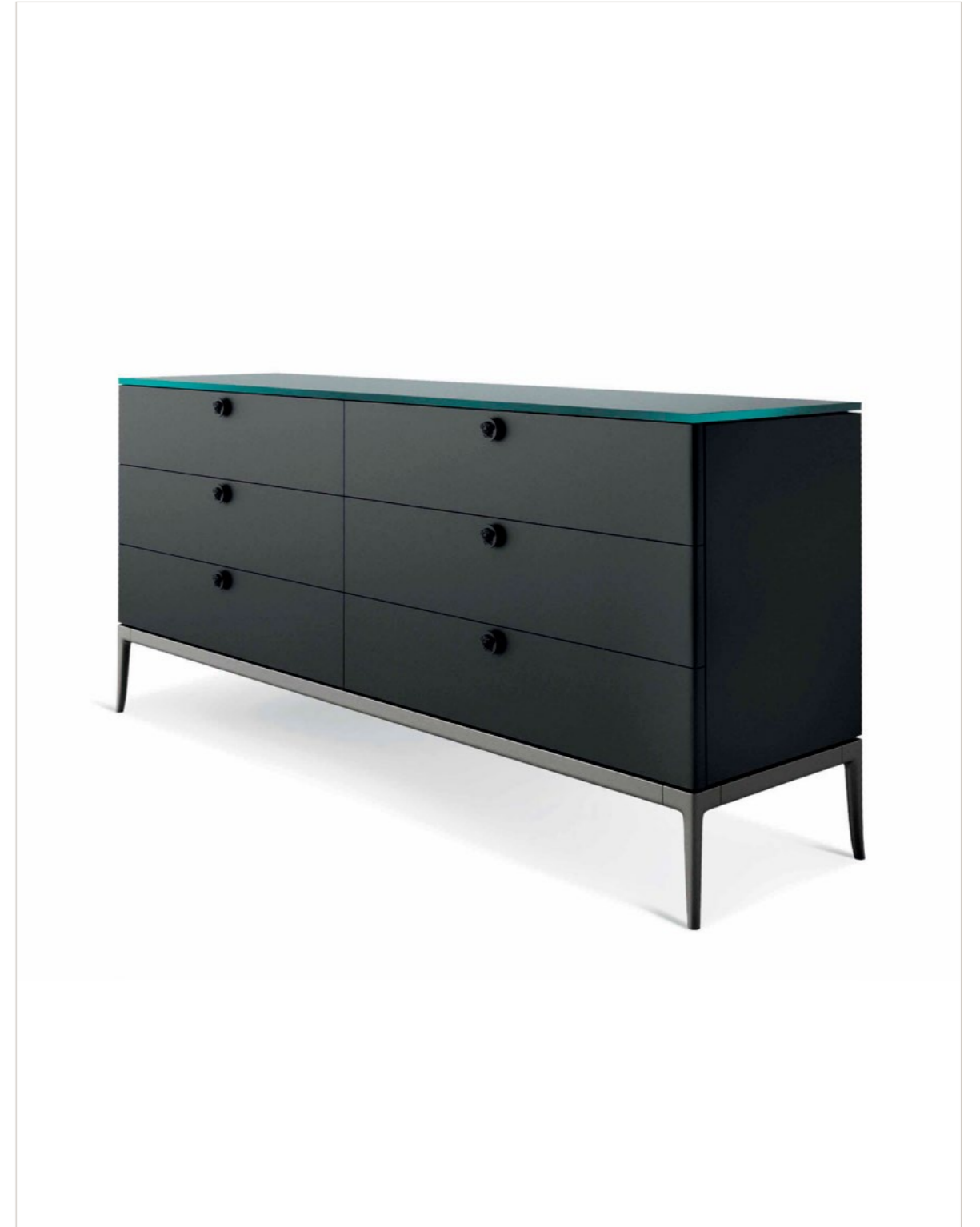


CHEST OF DRAWERS

# STILETTO

In Stiletto chest of drawers, Versace's forceful femininity is celebrated in every detail. The lacquered wood frame in Satin Grey colour with matt finishing, and an alternative version in Chianti colour with glossy brushed finishing, can be topped with extra clear glass back varnished in Satin Grey, or an array of precious marbles in sophisticated tones, with glossy finishing. An alternative version back varnished in Chianti colour is also available. The steel handles feature a 3D Metal Medusa logo, with Satin Grey finishing.

➤ [SEE ON WEBSITE](#)



CHEST OF DRAWERS  
**STILETTO**

TECHNICAL SHEET

**FRAME**

External lacquered wood in Satin Grey colour with matt finishing.  
 Alternative version with external lacquered wood in Chianti colour with glossy brushed finishing.  
 Back lacquered in Satin Grey colour with matt finishing.

**TOP**

Extra clear glass, back varnished in Satin Grey colour or Marquina Black, Carrara Gioia, Fior di Pesco, Sahara Noir, Valentine Grey or Calacatta Gold marble, with glossy finishing.  
 Alternative version in lacquered wood, back varnished in Chianti colour, only available for the version with Chianti colour lacquered frame.  
**N.B.** Each stone, being a natural product, is a one-of-a-kind piece and can therefore exhibit colour and structural differences.

**DRAWERS**

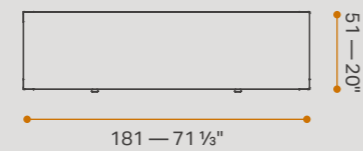
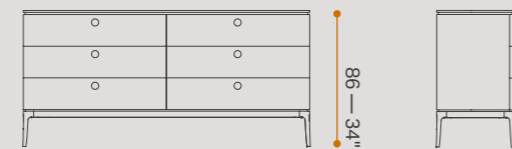
Wood with black or ivory lacquered frontal drawers, with glossy brushed finishing or wood veneered Ebony Macassar with glossy brushed finishing.  
 Alternative version with lacquered wood in Chianti colour with glossy brushed finishing, available only for the version with Chianti colour lacquered frame.  
 Matt lacquered internal drawers, covered with microfibre.  
 No.6 steel handles with 3D Metal Medusa logo, with Satin Grey finishing.

**BASE**

Aluminium with Satin Grey finishing.

**Chest of drawers**

VMB (12)

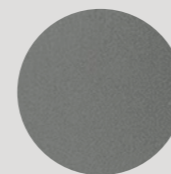


**Finishings - logo, handles and base**

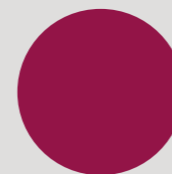


SATIN GREY

**Lacquered - frame**



MATT SATIN GREY



GLOSSY CHIANTI

**Glass - top**

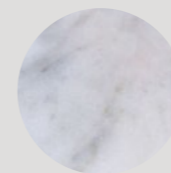


SATIN GREY

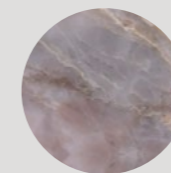
**Marble - top**



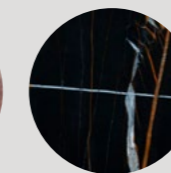
MARQUINA BLACK



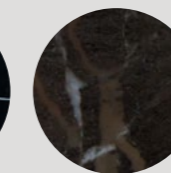
CARRARA GIOIA



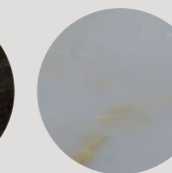
FIOR DI PESCO



SAHARA NOIR

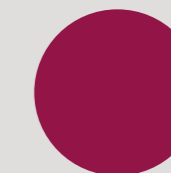


VALENTINE GREY



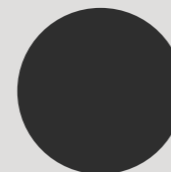
CALACATTA GOLD

**Lacquered - top**



GLOSSY CHIANTI

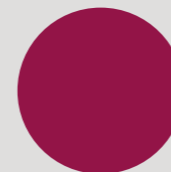
**Lacquered - drawers**



GLOSSY BLACK

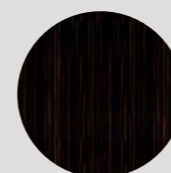


GLOSSY IVORY



GLOSSY CHIANTI

**Veneered - drawers**



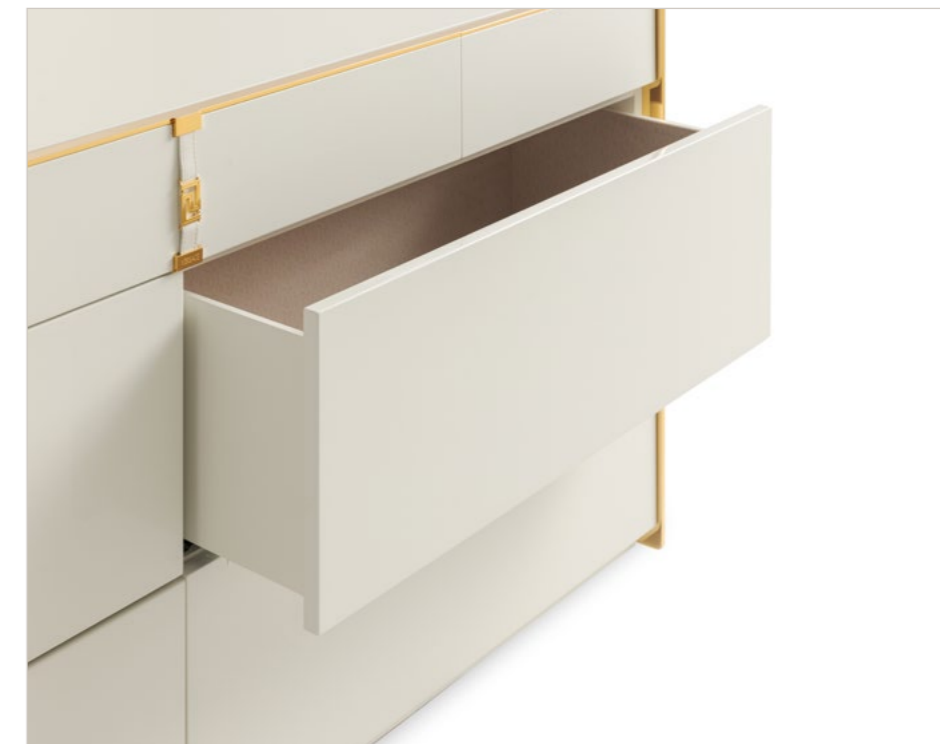
EBONY MACASSAR

CHEST OF DRAWERS

# VIA GESÙ GRECA

A discreet yet eloquent expression of the House's stylistic verve, the curated details of Via Gesù Greca chest of drawers by Versace Home enhance the beautiful design with select materials. This furnishing is embellished with an iconic metal detail.

➤ [SEE ON WEBSITE](#)



CHEST OF DRAWERS  
**VIA GESÙ  
 GRECA**

TECHNICAL SHEET

**FRAME**

Steel with polished Gold, polished chrome or gun-metal grey finishing.

**TOP**

Wood lacquered Arctic White, Pearl Grey, ivory, black, Stone or Quartz Grey, glossy brushed finishing.

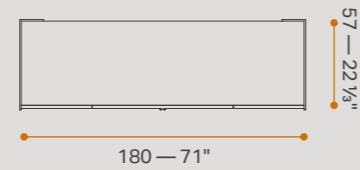
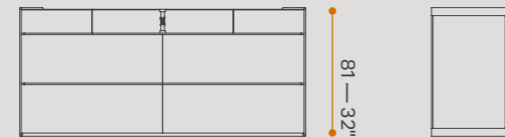
**DRAWERS**

Wooden frontal, finishing coordinated with the top or covered in Ottawa leather, matt black lacquered inside and covered in microfibre.

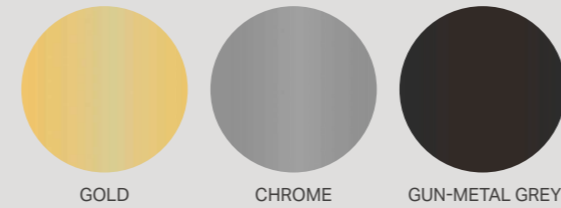
Steel details with La Greca logo, finishing coordinated with the frame, applied on a Ottawa leather band coordinated with the top.

**Chest of drawers**

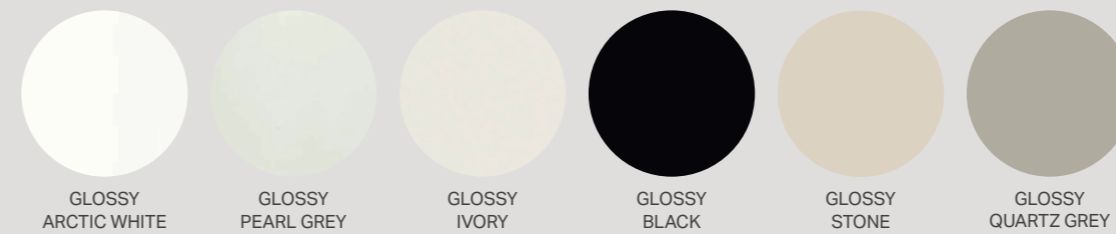
VMB (28GL) lacquered



**Finishings - frame and logo**



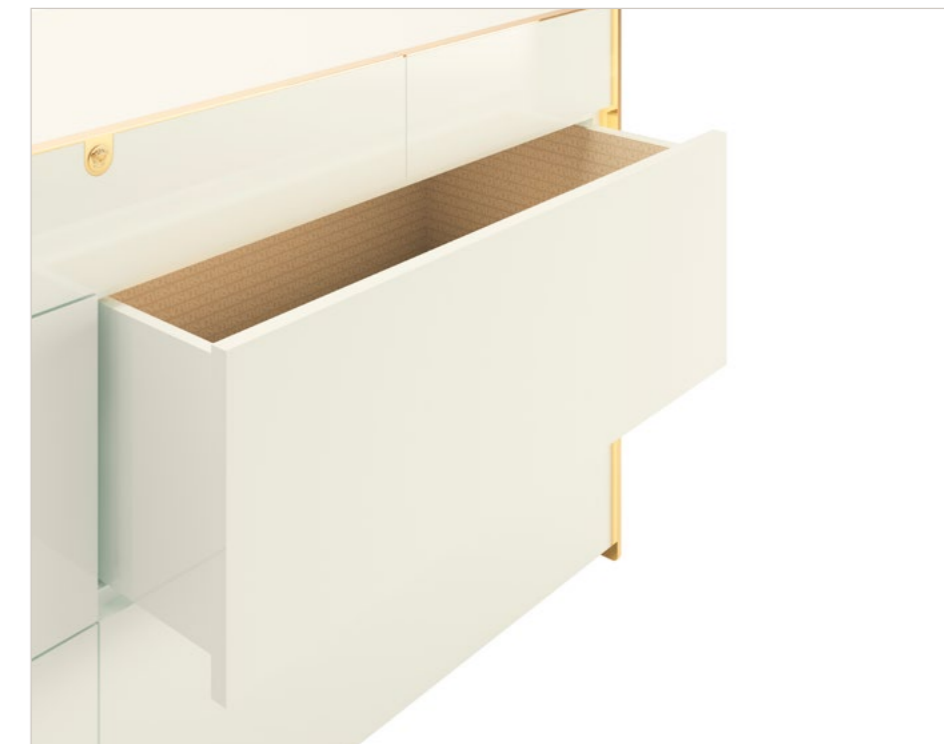
**Lacquered - top and drawers**



CHEST OF DRAWERS  
**VIA GESÙ  
MEDUSA**

Featuring a top available in lacquered wood, veneered wood, or a selection of precious marbles, the Via Gesù Medusa console is a tasteful accent for hallways, living rooms, and entrance areas. Rising above a metal frame, the console is embellished with a three-dimensional emblem of the Maison.

[↗ SEE ON WEBSITE](#)



CHEST OF DRAWERS  
**VIA GESÙ  
MEDUSA**

TECHNICAL SHEET

**FRAME**

Steel with polished Gold, polished chrome or gun-metal grey finishing.

**TOP**

Wood lacquered Arctic White, Pearl Grey, ivory, black, Stone or Quartz Grey, glossy brushed finishing.

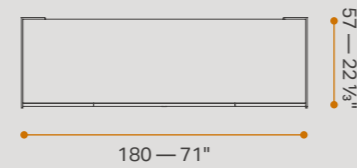
**DRAWERS**

Wooden frontal, finishing coordinated with the top or covered in Ottawa leather, matt black lacquered inside and covered in microfibre.

Steel details with 3D Metal Medusa logo, finishing coordinated with the frame.

**Chest of drawers**

VMB (28L) lacquered



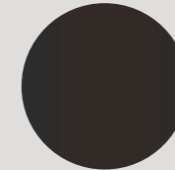
**Finishings - frame and logo**



GOLD



CHROME



GUN-METAL GREY

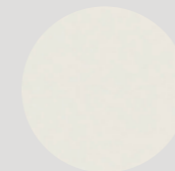
**Lacquered - top and drawers**



GLOSSY  
ARCTIC WHITE



GLOSSY  
PEARL GREY



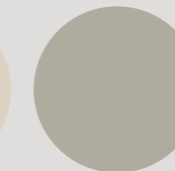
GLOSSY  
IVORY



GLOSSY  
BLACK



GLOSSY  
STONE



GLOSSY  
QUARTZ GREY

# **SIDEBOARD**

SIDEBOARD

# STILETTO

On this refined furnishing by Versace Home, the top is available in Carrara Gioia or Marquina black marble, with an alternative version topped with extra clear glass, back varnished in Satin Grey. The doors are made of glossy lacquered Ebony Macassar, or covered with leather or adorned with a variety of Versace's signature jacquard fabrics. The Versace hallmark can also be seen in the details of the handles, in steel with a Medusa 3D metal logo.

➤ [SEE ON WEBSITE](#)



# STILETTO

## TECHNICAL SHEET

### FRAME

External lacquered wood in Satin Grey colour with matt finishing.  
Internal frame black or ivory lacquered, with glossy brushed finishing or lacquered Satin Grey, with matt finishing.  
Tempered glass shelves.

### TOP

Marquina Black, Carrara Gioia, Fior di Pesco, Sahara Noir, Valentine Grey or Calacatta Gold marble, with glossy finishing. Alternative version with extra clear glass, back varnished in Satin Grey colour.

**N.B.** Each stone, being a natural product, is a one-of-a-kind piece and can therefore exhibit colour and structural differences.

### SHUTTERS

Lacquered wood coordinated with the external frame.  
External shutters covered with institutional fabric or leather. Alternative version in wood veneered Ebony Macassar, with glossy brushed finishing.  
Steel handles with 3D Metal Medusa logo, with Satin Grey finishing.

### BASE

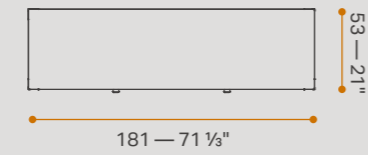
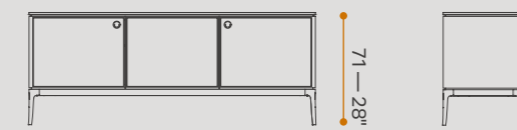
Aluminium with Satin Grey finishing.

### OPTIONAL LED

LED lighting.

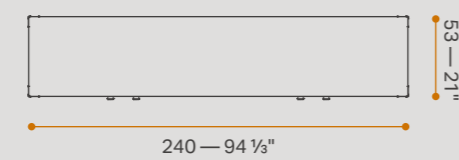
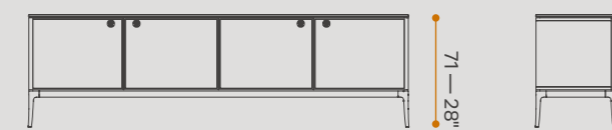
### 3 shutters sideboard

VMB (08)



### 4 shutters sideboard

VMB (02)

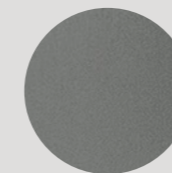


### Finishings - logo, handles and base



SATIN GREY

### Lacquered - frame



MATT SATIN GREY



GLOSSY BLACK

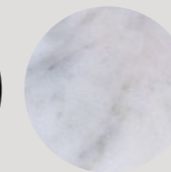


GLOSSY IVORY

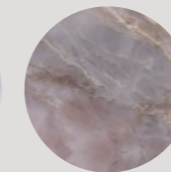
### Marble - top



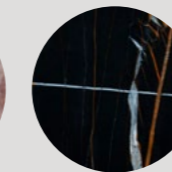
MARQUINA BLACK



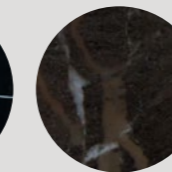
CARRARA GIOIA



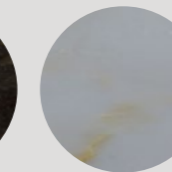
FIOR DI PESCO



SAHARA NOIR



VALENTINE GREY



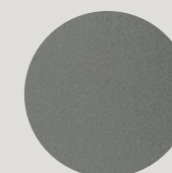
CALACATTA GOLD



SATIN GREY

### Glass - top

### Lacquered - shutters



MATT SATIN GREY

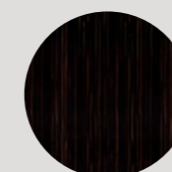


GLOSSY BLACK



GLOSSY IVORY

### Veneered - shutters



EBONY MACASSAR

# MIRRORS

MIRROR

# GRECA

The iconic geometric motif that inspires the Versace Home collection is echoed in the Greca mirror, a décor object boasting a frame in stainless steel finished with polished Gold, polished chrome or Satin Grey, and extraclear glass trimmed with the logo. As an optional, the mirror can be fitted with a dimmable lighting system with a LED strip.

➤ [SEE ON WEBSITE](#)



MIRROR  
**GRECA**

TECHNICAL SHEET

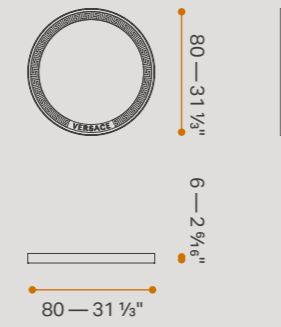
**FRAME**

Stainless steel frame with polished Gold, polished chrome or Satin Grey finishing. Mirror in extra clear glass with glazed Greca decoration and Versace logo, fixed on wooden support.

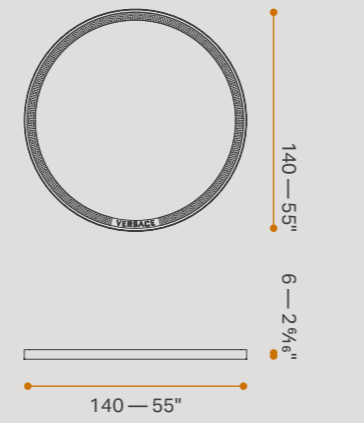
**OPTIONAL**

White strip LED lighting with dimmer.

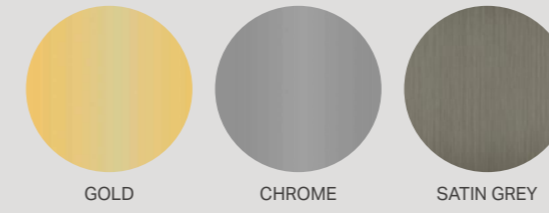
**Mirror**  
VSP (03)



**Mirror**  
VSP (04)



**Finishings - frame**



MIRROR

# NARCISSUS

An elegant accent with a contemporary design, the Narcissus mirror presents a ton sur ton Versace logo, with tridimensional effect. The aluminium frame with polished Sunset Gold or Satin Grey finishing houses a mirror in extra-clear glass. Optional strip LED lighting with dimmer is available.

➤ [SEE ON WEBSITE](#)



# NARCISSUS

## TECHNICAL SHEET

### FRAME

Frame composed by 3 drawn aluminium parts, assembled and finished in polished Sunset Gold, Sunset Silver, Satin Grey or Bronze finishing.

Extra clear glass mirror with safety wrap.

Steel plate for hanging or base fixing, matt black varnished.

Extra clear glass mirror with safety wrap.

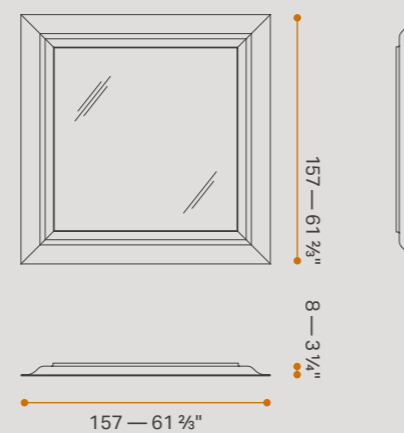
Steel plate for hanging or base fixing, matt black varnished. Adjustable small feet for the floor version. Ton sur ton Versace logo, with 3D effect.

### OPTIONAL

Strip LED lighting with dimmer.

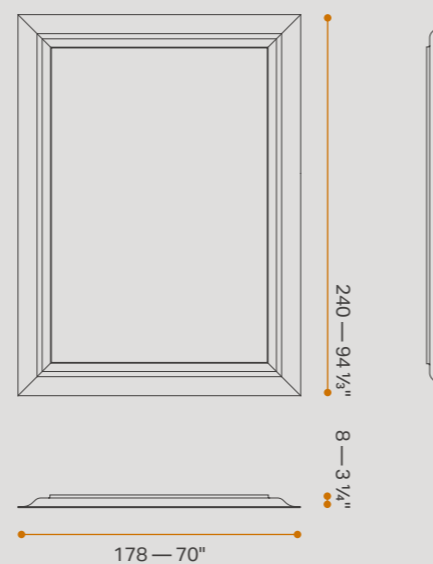
### Square mirror

VSP (01)



### Rectangular mirror

VSP (02)



### Finishings - frame



**LIGHTING**

LIGHTING

# ACROPOLIS

Available as table, floor, and high floor lamps, the Acropolis models feature an external metal base with 3D Metal Medusa logo in polished Gold or chrome. The diffuser is crafted from mouth-blown Murano glass, offered in glossy white, Caramel marble effect, or Pink marble effect. The column-inspired shape recalls classical fluting, while the handcrafted finishes add a unique texture and glow to every piece.

[↗ SEE ON WEBSITE](#)

[↗ SEE ON WEBSITE](#)



# ACROPOLIS

## TECHNICAL SHEET

### FRAME

External frame with base in metal with 3D Metal Medusa logo, polished Gold or polished chrome finishing.

### DIFFUSOR

Handmade Murano glass diffusor, blown by mouth, in the colour glossy white, Caramel marble effect, Pink marble effect\*

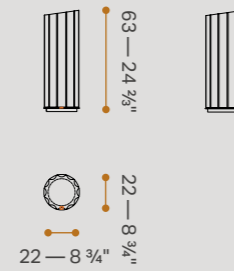
**N.B. \*MARBLE EFFECT:** Colored glass powders are mixed to create streaks that reproduce the effect of alabaster and traditional marble. Murano glass is a unique product handcrafted by master artisans, the result of several processing steps passed on from generation to generation.

Its brightness, lightness and colours are due to an artistic approach which is part of the historical and cultural heritage of Venice and Italy.

Therefore any small imperfection, as the slightly irregular surfaces, the marks left by bevelling and cutting or the small bubbles created by the blowing process, must be considered as a distinctive feature of the top quality manufacture enhancing and characterising the product.

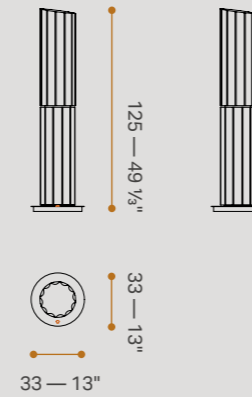
### Table lamp

VMP (58)



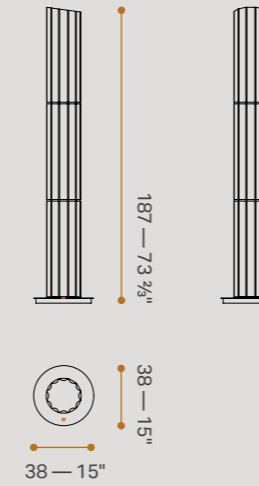
### Floor lamp

VMP (59)

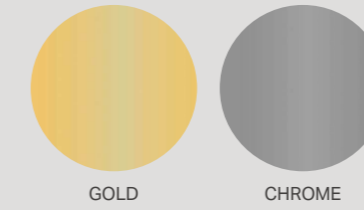


### High floor lamp

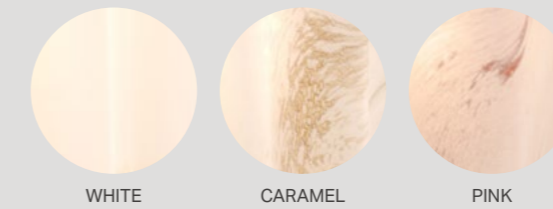
VMP (60)



### Finishings - frame and logo



### Marble



LIGHTING

# GODDESS

The Goddess table lamp by Versace Home boasts curved lines, a metal frame with polished Gold finishing, and the Medusa logo. The lampshade is made of total white opaline glass.

➤ [SEE ON WEBSITE](#)

➤ [SEE ON WEBSITE](#)

➤ [SEE ON WEBSITE](#)



# GODDESS

## TECHNICAL SHEET

### FRAME

Metal frame with polished Gold or polished chrome finishing. Medusa logo on the ceiling decoration of suspensions and on the base of the table and the floor lamps.

Table lamp with touch lighting.

### LAMPSHADE

Opaline glass. Table and floor lamps with plexiglass diffusor and aluminium knob with polished Gold or polished chrome finishing. Suspension VMP (10) in glazed glass with Barocco decoration on the external frame.

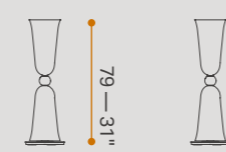
### Table lamp

VMP (09)



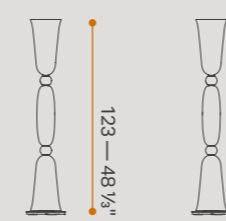
### Floor lamp

VMP (06)



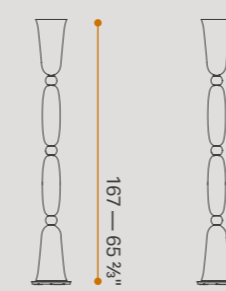
### Medium floor lamp

VMP (07)

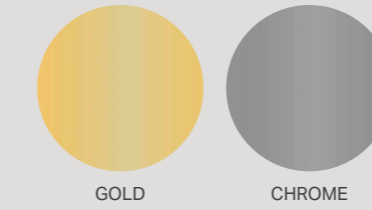


### High floor lamp

VMP (08)

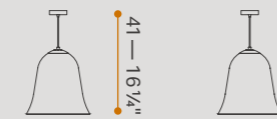


### Finishings - frame



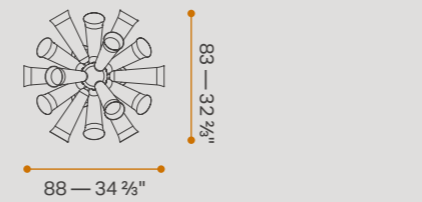
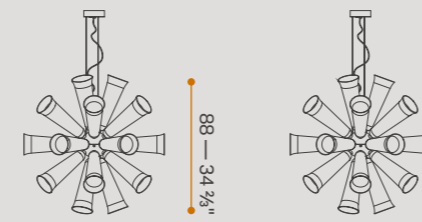
### Suspension

VMP (10)



### Big suspension

VMP (11)



LIGHTING

# GODDESS LED

The Goddess table lamp by Versace Home boasts sensual, curved lines that imbue rooms with sinuous reflections. The logo-embellished frame is equipped with LED lights, touch control, and a rechargeable battery powered lamp, with a USB-C cable included in the packaging. The lampshade is crafted from total white opaline glass.

➤ [SEE ON WEBSITE](#)



# GODDESS LED

## TECHNICAL SHEET

### FRAME

Aluminium with polished Gold or polished chrome finishing, etched Versace logo.

Touch lighting, battery lamp with USBc cable included.

### LAMPSHADE

Opaline white glass.

### Table lamp

VMP (38)



20 — 7 3/4"

### Table lamp

VMP (37)



16 — 6 1/4"

### Finishings - frame



GOLD



CHROME

LIGHTING

# GODDESS MARBLE

An ode to Versace sensuality, the Goddess Marble lamps boast curved lines with Marquina black or Carrara Gioia marble base and a total white opaline glass lampshade.

➤ [SEE ON WEBSITE](#)



# GODDESS MARBLE

## TECHNICAL SHEET

### BASE / FRAME

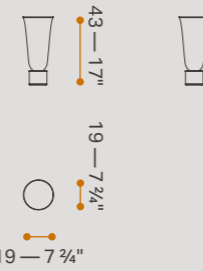
Marquina Black or Carrara Gioia marble, with glossy finishing. Etched Versace logo. Strip LED lighting with dimmer.

**N.B.** Each stone, being a natural product, is a one-of-a-kind piece and can therefore exhibit colour and structural differences.

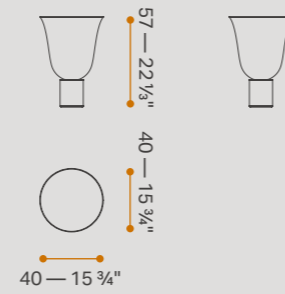
### LAMPSHADE

Opaline glass with plexiglass diffusor and metal detail with polished Gold or polished chrome finishing.

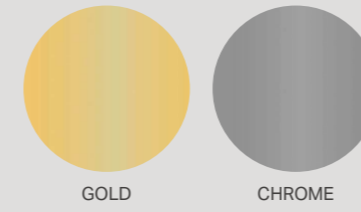
### Table lamp VMP (35)



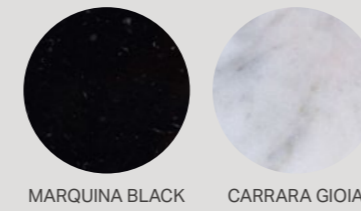
### Table lamp VMP (36)



### Finishings - detail



### Marble - base

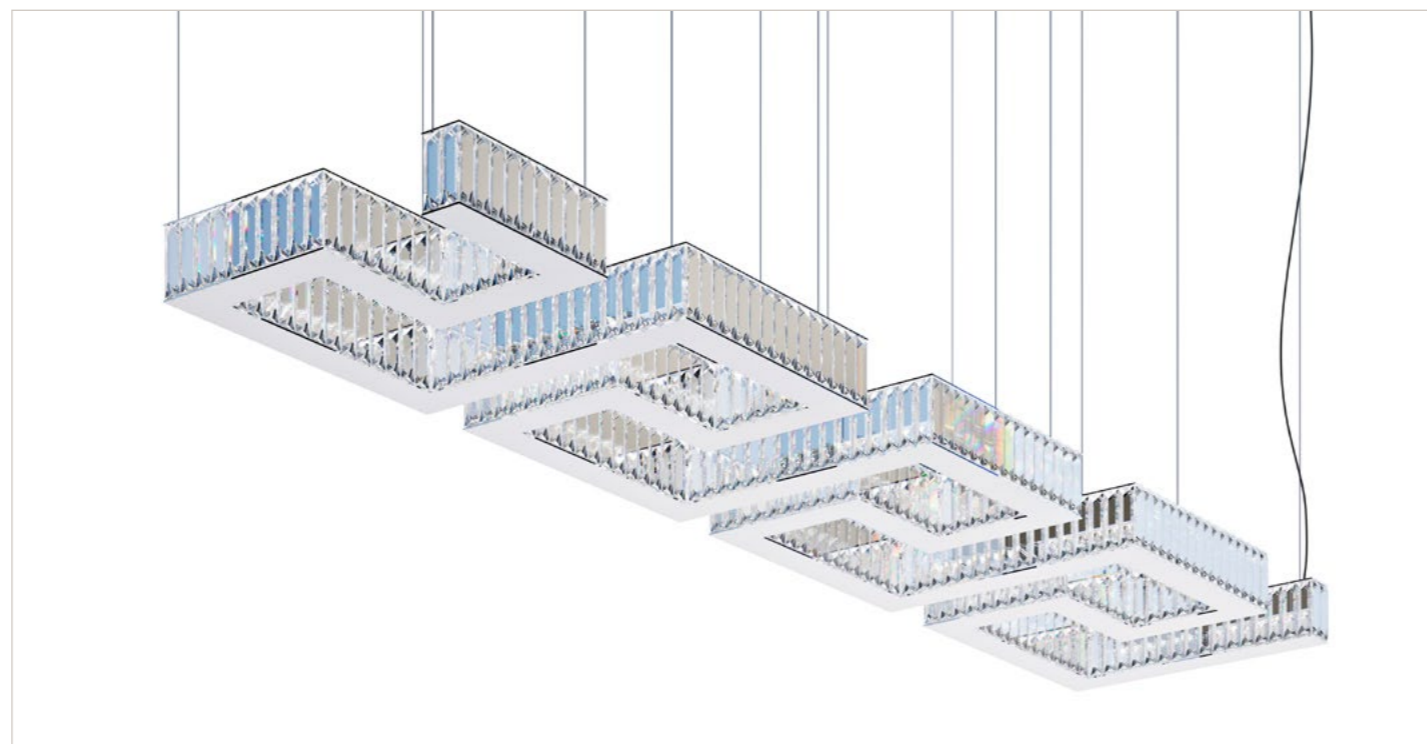


LIGHTING

# LA GRECA

Available in a linear or circular version, the La Greca chandelier by Versace Home becomes the effortless protagonist any space, thanks to the strategic positioning of the lighting elements which recreate the brand's iconic decorative motifs.

➤ [SEE ON WEBSITE](#)



# LA GRECA

## TECHNICAL SHEET

### FRAME

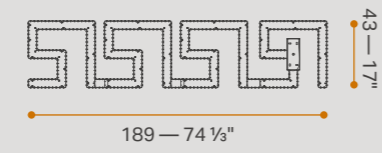
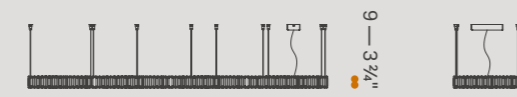
Metal with polished Gold or polished chrome finishing.

### LAMPSHADE

Transparent crystals in glass.

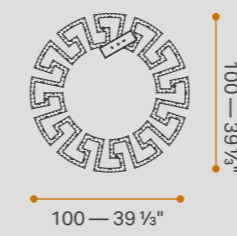
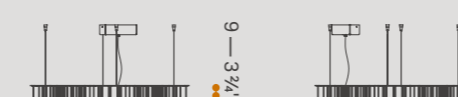
### Linear chandelier

VMP (47)

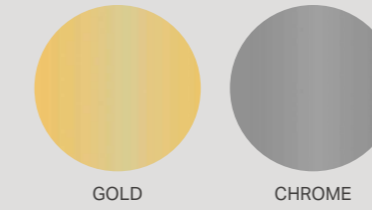


### Sphere chandelier

VMP (44)

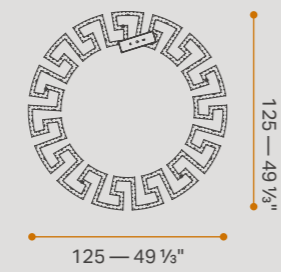
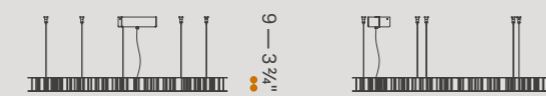


### Finishings - frame



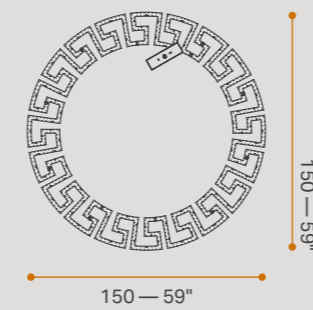
### Sphere chandelier

VMP (45)



### Sphere chandelier

VMP (46)



LIGHTING

# NARCISSUS

An elegant table lamp with a metal frame with polished Gold finishing and 3D Metal Medusa logo applied to the stem, Narcissus features an external lampshade varnished in Satin Grey, decorated on the interior.

[SEE ON WEBSITE](#)



# NARCISSUS

## TECHNICAL SHEET

### FRAME

Metal frame with polished Gold or gun-metal grey finishing. Stem with 3D Metal Medusa logo in coordinated finishing.  
Table lamp with touch lighting.

### LAMPSHADE

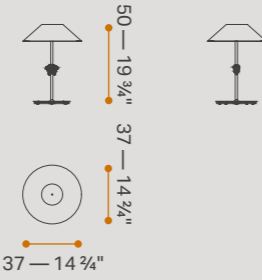
External lampshade in aluminium varnished in Satin Grey colour, internal lampshade with Barocco decoration in black and matt gold colour.

Sandblasted plexiglass diffusors.

Plissé alternative version in pongé fabric, optical white colour coordinated with polished Gold frame, black colour coordinated with gun-metal grey frame.

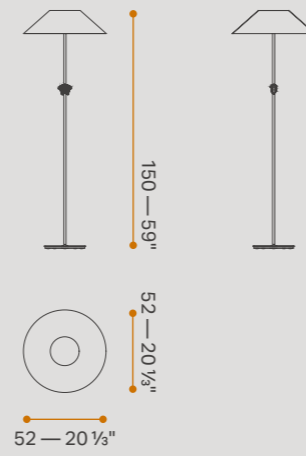
### Table lamp

VMP (03)



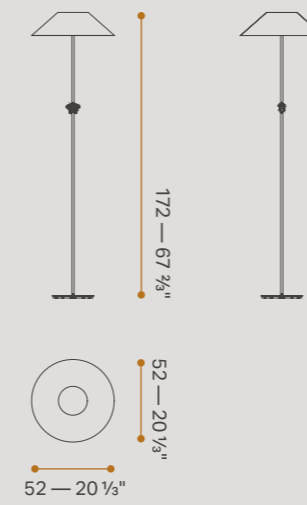
### Standing lamp

VMP (01)



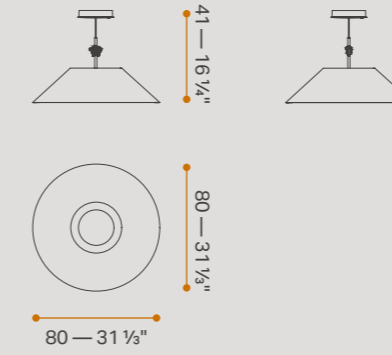
### High standing lamp

VMP (02)



### Suspension

VMP (04)

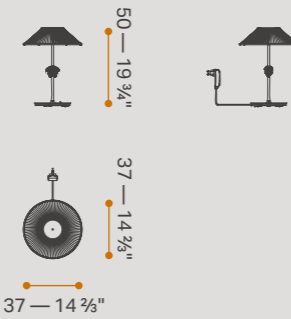


### Finishings - frame



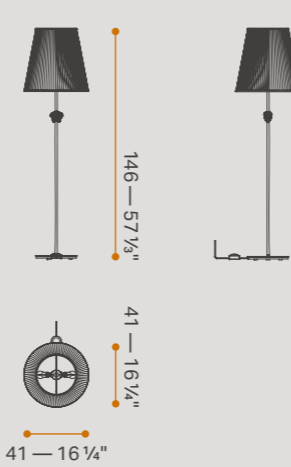
### Plissé table lamp

VMP (43)



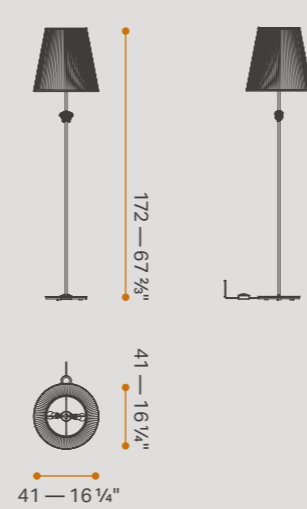
### Plissé standing lamp

VMP (42)



### Plissé standing lamp

VMP (41)



LIGHTING

# SIGNAL

Signal suspension light features a domed external frame in metal, available with polished Gold or polished chrome finishing and adorned with the iconic Greca motif. The internal structure is finished in white lacquer, while the diffuser is crafted from a circular sheet of glass decorated with the unmistakable Medusa motif, softly illuminated from within to cast a refined and atmospheric glow.

➤ [SEE ON WEBSITE](#)



# SIGNAL

## TECHNICAL SHEET

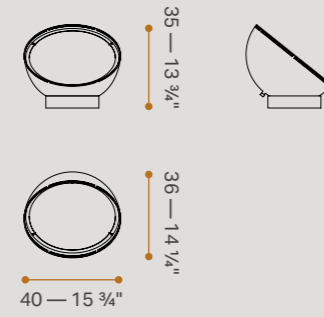
### FRAME

External frame in metal with polished Gold or polished chrome finishing with Greca motif.  
Internal frame white varnished.

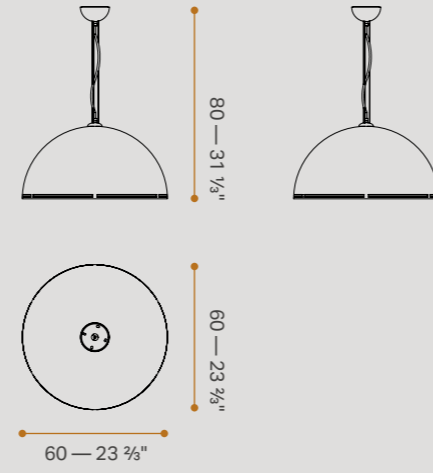
### DIFFUSOR

Glass sheet with Medusa decoration.

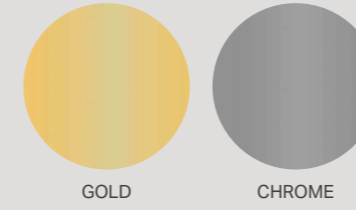
**Table lamp**  
VMP (57)



**Suspension**  
VMP (56)



**Finishings - frame**



LIGHTING

# VERSACE GALAXY

In the Galaxy suspension lamp by Versace Home, the ceiling structure featuring steel cables is paired with glass spheres in opaline white, Gold or Silver, accompanied by a precious retro illuminated pendant engraved with the House's iconic signature.

[↗ SEE ON WEBSITE](#)



LIGHTING

# VERSACE GALAXY

## TECHNICAL SHEET

### FRAME

Ceiling metal frame with polished Gold or polished chrome finishing and steel cables.

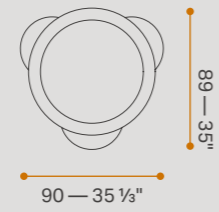
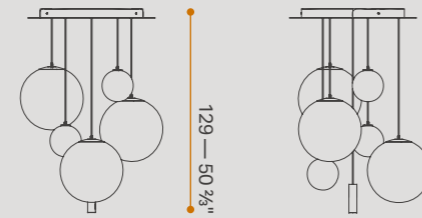
### LAMPSHADE

No. 6 glass spheres (Ø 200 and 400 mm) with white and Gold or Silver opaline finishing;

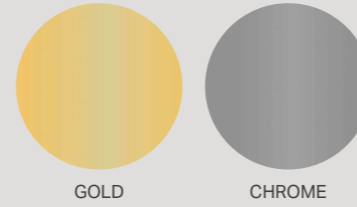
No. 1 backlighted metal pendant with polished Gold or polished chrome finishing, with etched Versace logo.

### Suspension

VMP (40)



### Finishings - frame



**VASES**

VASES

# MURANO ATELIER MEDUSA

The exquisite fruit of expert glassmakers, elegant Murano Atelier Medusa vases are handcrafted from manually blown Murano glass.

➤ [SEE ON WEBSITE](#)



VASES

# MURANO ATELIER MEDUSA

## TECHNICAL SHEET

### MATERIAL

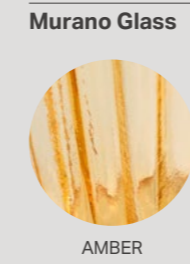
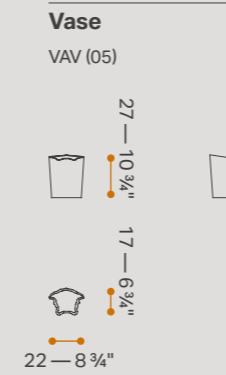
Handmade Murano glass, blown by mouth.

Do not leave water in the vases for a long time (if possible no more than one week).

Submerged Amber colour.

**N.B.** Murano Glass is a unique product handcrafted by master artisans, the result of several processing steps passed on from generation to generation.

Its brightness, lightness and colours are due to an artistic approach which is part of the historical and cultural heritage of Venice and Italy. Therefore any small imperfection, as the slightly irregular surfaces, the marks left by bevelling and cutting or the small bubbles created by the blowing process, must be considered as a distinctive feature of the top quality manufacture enhancing and characterising the product.



VASES

# MURANO ATELIER SILHOUETTE

The Maison's iconic Medusa stars as protagonist of the Murano Atelier Silhouette vases by Versace Home, elegant home accents handcrafted from manually blown Murano glass.

[➤ SEE ON WEBSITE](#)



VASES

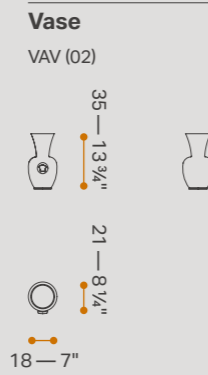
# MURANO ATELIER SILHOUETTE

## TECHNICAL SHEET

**MATERIAL**

Handmade Murano glass, blown by mouth.  
Do not leave water in the vases for a long time  
(if possible no more than one week).  
White, Black, Amber Rigato, Blue, Green, Pink,  
Transparent colour.

**N.B.** Murano Glass is a unique product handcrafted  
by master artisans, the result of several processing  
steps passed on from generation to generation.  
Its brightness, lightness and colours are due to  
an artistic approach which is part of the historical  
and cultural heritage of Venice and Italy. Therefore  
any small imperfection, as the slightly irregular  
surfaces, the marks left by bevelling and cutting  
or the small bubbles created by the blowing  
process, must be considered as a distinctive  
feature of the top quality manufacture enhancing  
and characterising the product.



## Murano Glass



WHITE



BLACK



AMBER RIGATO



BLUE



GREEN



PINK



TRANSPARENT

**TRAYS**

TRAYS

# ACROPOLIS

Crafted in alabaster and finished with a polished white 3D Metal Medusa logo, the Acropolis tray is available in small or medium size. A refined accent piece for iconic daily living.

[↗ SEE ON WEBSITE](#)



TRAYS

# ACROPOLIS

## TECHNICAL SHEET

### TRAY

Alabaster.

3D Metal Medusa logo, polished white finishing.

### Small tray

VSV (05)

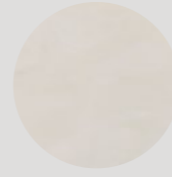
CM Ø 28,6×3 — Ø 11,2  $\frac{9}{16}$ ×1  $\frac{3}{16}$ "

### Medium tray

VSV (04)

CM Ø 39×4 — Ø 15  $\frac{1}{4}$ ×1  $\frac{9}{16}$ "

### Finishing



ALABASTER

TRAYS

# GRECA

Crafted from a single piece of alabaster, the Greca tray combines sculptural purity and iconic detailing. The carved Greek key motif encircles the surface, creating a refined frame for the organic marble-like texture of the stone. Available in small, medium and big sizes, it features the 3D Metal Medusa logo with polished white finishing applied to the outer edge.

[SEE ON WEBSITE](#)



TRAYS

# GRECA

## TECHNICAL SHEET

### TRAY

Alabaster.

3D Metal Medusa logo, polished white finishing.

### Greca small tray

VSV (08)

CM Ø 27,6×2,5 — Ø 10  $\frac{3}{4}$ ,2  $\frac{5}{16}$ ×1 $\frac{3}{16}$ ,1  $\frac{1}{16}$ "

### Greca medium tray

VSV (07)

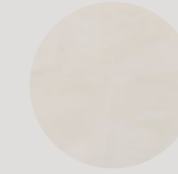
CM Ø 37,6×4 — Ø 14  $\frac{3}{4}$ ,2  $\frac{5}{16}$ ×1  $\frac{5}{16}$ "

### Greca big tray

VSV (06)

CM Ø 43×5,5 — Ø 17×1  $\frac{1}{16}$ ,1  $\frac{1}{16}$ "

### Finishing



ALABASTER

**BOXES**

BOXES

# ACROPOLIS

Available in alabaster or matte Ebony Macassar wood veneer, the Acropolis boxes recall the carved lines of classical columns. Both versions are finished with a 3D Metal Medusa logo—polished white for alabaster, polished black for wood. The wooden version also features a black microfiber lining, adding softness and protection to its sculptural form. Decorative yet functional, they express the timeless elegance of Versace.

[SEE ON WEBSITE](#)



# ACROPOLIS

## TECHNICAL SHEET

### BOX

Alabaster.

3D Metal Medusa logo, polished white finishing.

### ACROPOLIS WOOD

Wood veneered Ebony Macassar, matt finishing.

3D Metal Medusa logo, polished black finishing

Internal cover in black microfibre.

---

### Box with swivel cap

VSC (08)

CM Ø 20×6 — Ø 7 ¾×2 ⅞"

---

### High box

VSC (07)

CM Ø 15×15 — Ø 6×6"

---

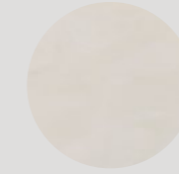
### Big box

VSC (06)

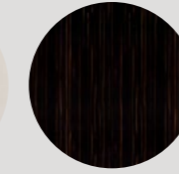
CM Ø 20×10 — Ø 7 ¾×4"

---

### Finishings



ALABASTER



EBONY MACASSAR

---

### Wood small box

VSC (12)

CM Ø 15×15 — Ø 6×6"

---

### Wood big box

VSC (13)

CM Ø 26×10 — Ø 10 ¼×4"

BOXES

# BAROCCO

Crafted from alabaster with an intricate Barocco inlay, the box features a polished white 3D Metal Medusa logo on the lid. Available in three different sizes and heights.

[↗ SEE ON WEBSITE](#)



BOXES

# BAROCCO

## TECHNICAL SHEET

### BOX

Alabaster with Barocco inlay.  
3D Metal Medusa logo, polished white finishing.

### Round box with swivel cap

VSC (11)

CM Ø 20×6 — Ø 7 ¾×2 ⅞"

### High round box

VSC (10)

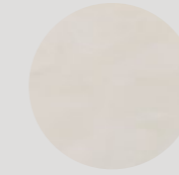
CM Ø 15×15 — Ø 6×6"

### Big round box

VSC (09)

CM Ø 20×10 — Ø 7 ¾×4"

### Finishing



ALABASTER

BOXES

# N° 12

Crafted in alabaster with a precise N°12 inlay, this rectangular box is available in two sizes. A sculptural piece that expresses both elegance and identity.

[↗ SEE ON WEBSITE](#)



BOXES

# N° 12

## TECHNICAL SHEET

### FRAME

Alabaster with N° 12 inlay.

### Rectangular box with swivel cap

VSC (05)

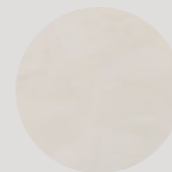
CM 18×15×5,5 — 7×6×1  $\frac{1}{16}$ , 1  $\frac{1}{16}$ "

### Big rectangular box

VSC (04)

CM 30×25×9 — 11  $\frac{3}{4}$ ×9  $\frac{3}{4}$ ×3  $\frac{3}{4}$ "

### Finishing



ALABASTER

**PHOTOPHORE**

PHOTOPHORE

# ACROPOLIS

Crafted from alabaster and embellished with a polished white 3D Metal Medusa logo, the Acropolis photophore is available in two sizes. A luminous decorative object with timeless appeal.

[↗ SEE ON WEBSITE](#)



PHOTOPHORE

# ACROPOLIS

## TECHNICAL SHEET

### PHOTOPHORE

Alabaster.

3D Metal Medusa logo, polished white finishing.

### Small photophore

ACV (07)

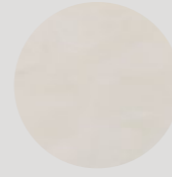
CM Ø 10×11 — Ø 4×4 ¼"

### Big photophore

ACV (06)

CM Ø 12×14 — Ø 4 ¾×5 ¾"

### Finishing



ALABASTER

**RUGS**

# RUGS

## Barocco Degradè

VPT (48) - cm 300×200 (118×78 ⅔")  
VPT (49) - cm 400×300 (157 ½×118")  
VPT (50) - cm 400×400 (157 ½×157 ½")  
VPT (51) Ø cm 310 — Ø 122"  
VPT (52) Ø cm 400 — Ø 157 ½"

COMPOSITION:  
Botanical silk.

COLOUR:  
• WHITE

Hand tufted.



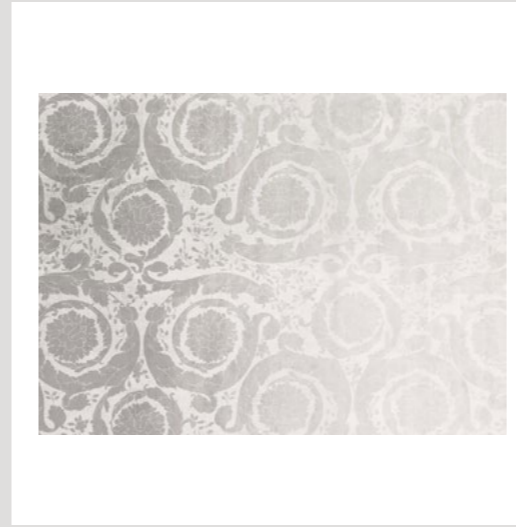
## Barocco Allover Degradè

VPT (53) - cm 300×200 (118×78 ⅔")  
VPT (54) - cm 400×300 (157 ½×118")  
VPT (55) - cm 400×400 (157 ½×157 ½")  
VPT (56) Ø cm 310 — Ø 122"  
VPT (57) Ø cm 400 — Ø 157 ½"

COMPOSITION:  
Botanical silk.

COLOUR:  
• WHITE

Hand knotted.



## Greca Versace

VPT (27) - cm 300×200 (118×78 ⅔")  
VPT (17) - cm 300×300 (118×118")  
VPT (18) Ø cm 300 (118")  
VPT (15) - cm 400×300 (157 ½×118")  
VPT (16) - cm 400×400 (157 ½×157 ½")

COMPOSITION:  
Bamboo "silk" fibre and New Zealand wool.

COLOURS:  
• BLACK  
• SOFT WHITE

Hand tufted.



Black - detail

## Barocco Big

VPT (42) - cm 300×200 (118×78 ⅔")  
VPT (43) - cm 300×300 (118×118")  
VPT (46) Ø cm 300 (118")  
VPT (44) - cm 400×300 (157 ½×118")  
VPT (45) - cm 400×400 (157 ½×157 ½")  
VPT (47) Ø cm 400 — Ø 157 ½"

COMPOSITION:  
Tibetan wool & viscose.

COLOURS:  
• CREAM  
• CHARCOAL

Hand tufted.



Charcoal

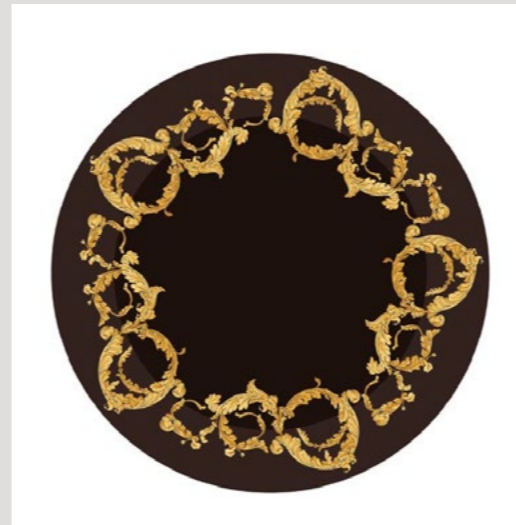
## Barocco Solid

VPT (20) - cm 300×200 (118×78 ⅔")  
VPT (22) - cm 300×300 (118×118")  
VPT (21) - cm 400×300 (157 ½×118")  
VPT (24) Ø cm 350 — Ø 137 ⅞"  
VPT (23) - cm 400×400 (157 ½×157 ½")

COMPOSITION:  
Bamboo fibre.

COLOURS:  
• BLACK-GOLD  
• SOFT WHITE

Hand tufted.



Black-gold

## Medusa vertical

VPT (58) - cm 300×200 (118×78 ⅔")  
VPT (59) - cm 400×300 (157 ½×118")  
VPT (60) - cm 400×400 (157 ½×157 ½")  
VPT (61) Ø cm 310 — Ø 122"  
VPT (62) Ø cm 400 — Ø 157 ½"

COMPOSITION:  
Botanical silk.

COLOUR:  
• WHITE

Hand knotted.



# RUGS

## Logomania

VPT (05) - cm 300×200 (118×78 3/8")  
VPT (30) - cm 300×300 (118×118")  
VPT (31) Ø cm 300 (118")  
VPT (32) - cm 400×300 (157 1/2×118")  
VPT (33) - cm 400×400 (157 1/2×157 1/2")

COMPOSITION:  
New Zealand wool.

COLOUR:  
• WHITE

Hand tufted.  
Versace steel logo with polished gold finishing.



## Via Gesù Greca degradè

VPT (68) - cm 400×400 (157 1/2×157 1/2")  
VPT (69) - cm 300×200 (118×78 3/8")  
VPT (70) - cm 400×300 (157 1/2×118")  
VPT (71) Ø cm 310 — Ø 122"  
VPT (72) Ø cm 400 — Ø 157 1/2"

COMPOSITION:  
Botanical silk.

COLOUR:  
• WHITE

Hand knotted.



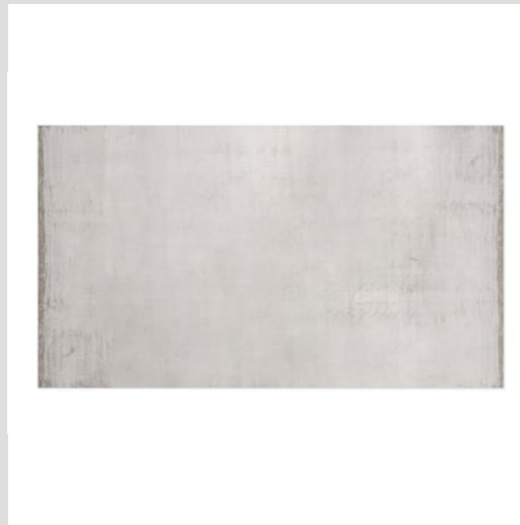
## Medusa horizontal

VPT (63) - cm 300×200 (118×78 3/8")  
VPT (64) - cm 400×300 (157 1/2×118")  
VPT (65) - cm 400×400 (157 1/2×157 1/2")  
VPT (66) Ø cm 310 — Ø 122"  
VPT (67) Ø cm 400 — Ø 157 1/2"

COMPOSITION:  
Botanical silk.

COLOUR:  
• WHITE

Hand knotted.



# **TEXTILE ACCESSORIES**

# CUSHIONS

## TECHNICAL SHEET

### BACK

If not specified, the back of the cushion is in the same fabric or leather indicated, but without manufacture.

### PADDING

Feather, included.

### Plain with piping

VCS (01/30) - VCS (01/40) - VCS (01/50) - VCS (01/60)  
FABRIC/LEATHER CUSHION CM 40×30 / 40×40 / 50×50 / 60×60  
15 ¾×11 ¾" / 15 ¾×15 ¾" / 19 ¾×19 ¾" / 23 ¾×23 ¾"



VCS (01/50)

### V-shape

VCS (02/50)  
FABRIC/LEATHER CUSHION CM 50×50  
19 ¾×19 ¾"



### Barocco chenille

VCS (08/50)  
CUSHION CM 50×50  
19 ¾×19 ¾"



### Barocco

VCS (09/50)  
FABRIC/LEATHER CUSHION CM 50×50  
19 ¾×19 ¾"



### Barocco Goddess

VCS (03/50)  
CUSHION CM 50×50  
19 ¾×19 ¾"



### Logomania jacquard cotton

VCS (06/50) - VCS (06/60)  
CUSHION CM 50×50 / 60×60  
19 ¾×19 ¾" / 23 ¾×23 ¾"



VCS (06/50)

### La Medusa

VCS (10/50)  
LEATHER CUSHION CM 50×50  
19 ¾×19 ¾"



### Medusa quilted

VCS (11/50)  
LEATHER CUSHION CM 50×50  
19 ¾×19 ¾"



TEXTILE ACCESSORIES  
**CUSHIONS**

TECHNICAL SHEET

**BACK**

If not specified, the back of the cushion is in the same fabric or leather indicated, but without manufacture.

**PADDING**

Feather, included.

**La Medusa big**

VCS (12/50)  
LEATHER CUSHION CM 50×50  
19 ¾×19 ¾"



**Greca**

VCS (13/50)  
LEATHER CUSHION CM 50×50  
19 ¾×19 ¾"



**Icon: cushion with leather belt and icon logo**

VCS (16/50)  
FABRIC/LEATHER CUSHION CM 50×50  
19 ¾×19 ¾"



**N° 12**

VCS (18/30) - VCS (18/60)  
LEATHER CUSHION CM 40×30 / 60×40  
15 ¾×11 ¾" / 23 ¾×15 ¾"



VCS (18/30)

**N° 12 printed**

VCS (19/50)  
FABRIC CUSHION CM 50×50  
19 ¾×19 ¾"



**N° 12 jacquard**

VCS (20/50)  
WOOL AND CASHMERE CUSHION CM 50×50  
19 ¾×19 ¾"



# THROWS

## Barocco travel quilted

VPL (03)  
QUILTED THROW CM 220×140  
86 ¾×55"



## Barocco quilted

VPL (04)  
QUILTED THROW CM 220×140  
86 ¾×55"



## Medusa shaded

VPL (07)  
WOOL THROW CM 210×130  
82 ¾×51 ½"



## Barocco silk faux fur

VPL (08)  
CM 220×140  
86 ¾×55"



## N° 12 jacquard

VPL (09)  
WOOL & CASHMERE THROW CM 180×140  
71×55"



VPL (10)  
THROW CM 220×140  
86 ¾×55"



## Night textile accessories - roll

RUV (02)  
Ø CM 20×172  
7 ¾×67 ¾"



# BED LINEN

## TECHNICAL SHEET

100% cotton satin (precious twisted yarn Supima, 350/500 thread count).

Pearl Grey, Optical White or Pink with allover Barocco jacquard motif.

Available for Queen and King size mattress 165x200, 185x200 and German size with two duvet covers.

### **SHEETS SET**

Composed by 1 flat sheet with Barocco jacquard motif on the band, 1 flat sheet (plain), 2 pillowcases with allover Barocco jacquard motif.

### **DUVET COVER SET**

Composed by 1 duvet cover with allover Barocco jacquard motif, 1 flat sheet (plain), 2 pillowcases with allover Barocco jacquard motif.

### **2 PILLOWCASES SET**

2 pillowcases with allover Barocco jacquard motif.

## Barocco Allover

### DUVET COVER SET

BVS (COP04Q) - QUEEN SIZE

Duvet cover 260x260 - 102 1/3x102 1/3

Flat sheet 250x290 - 98 1/3x114 1/3

Nr.2 pillowcases 80x50 - 78 2/3x51 1/3

BVS (COP04K) - KING SIZE

Duvet cover 260x280 - 102 1/3x110 1/3

Flat sheet 270x290 - 106 1/3x114 1/3

Nr.2 pillowcases 80x50 - 78 2/3x51 1/3

BVS (COP04G) - GERMAN SIZE

Nr.2 duvet covers 130x200 - 51 1/3x78 2/3

Flat sheet 270x290 - 106 1/3x114 1/3

Nr.2 pillowcases 80x50 - 78 2/3x51 1/3

### DUVET COVER

BVS (DUV04Q) - QUEEN SIZE

Duvet cover 260x260 - 102 1/3x102 1/3

BVS (DUV04K) - KING SIZE

Duvet cover 260x280 - 102 1/3x110 1/3

BVS (DUV04G) - GERMAN SIZE

Nr.2 duvet covers 130x200 - 51 1/3x78 2/3

### SHEETS SET

BVS (LNZ04Q) - QUEEN SIZE

Flat sheet 250x290 - 98 1/3x114 1/3

Nr.2 pillowcases 80x50 - 78 2/3x51 1/3

BVS (LNZ04K) - KING SIZE

Flat sheet 270x290 - 106 1/3x114 1/3

Nr.2 pillowcases 80x50 - 78 2/3x51 1/3

### 2 PILLOWCASES SET

BVS (FED04)

Nr.2 pillowcases 80x50 - 78 2/3x51 1/3



# BED LINEN

## TECHNICAL SHEET

100% cotton satin (precious twisted yarn Supima, 350/500 thread count).

Pearl Grey, Optical White or Pink with Medusa jacquard motif edge.

Available for Queen and King size mattress 165x200, 185x200 and German size with two duvet covers.

### **SHEETS SET**

Composed by 1 flat sheet with Medusa jacquard motif edge, 1 flat sheet (plain), 2 pillowcases with Medusa jacquard motif edge.

### **DUVET COVER SET**

Composed by 1 duvet cover with Medusa jacquard motif edge, 1 flat sheet (plain), 2 pillowcases with Medusa jacquard motif edge.

### **2 PILLOWCASES SET**

2 pillowcases with Medusa jacquard motif edge.

## Medusa Edge

### DUVET COVER

BVS (DUV05Q) - QUEEN SIZE  
Duvet cover 260x260 - 102 1/3x102 1/3

BVS (DUV05K) - KING SIZE  
Duvet cover 260x280 - 102 1/3x110 1/3

BVS (DUV05G) - GERMAN SIZE  
Nr.2 duvet covers 130x200 - 51 1/3x78 2/3

### DUVET COVER SET

BVS (COP05Q) - QUEEN SIZE  
Duvet cover 260x260 - 102 1/3x102 1/3  
Flat sheet 250x290 - 98 1/3x114 1/3  
Nr.2 pillowcases 80x50 - 78 2/3x51 1/3

BVS (COP05K) - KING SIZE  
Duvet cover 260x280 - 102 1/3x110 1/3  
Flat sheet 270x290 - 106 1/3x114 1/3  
Nr.2 pillowcases 80x50 - 78 2/3x51 1/3

BVS (COP05G) - GERMAN SIZE  
Nr.2 duvet covers 130x200 - 51 1/3x78 2/3  
Flat sheet 270x290 - 106 1/3x114 1/3  
Nr.2 pillowcases 80x50 - 78 2/3x51 1/3

### SHEETS SET

BVS (LNZ05Q) - QUEEN SIZE  
Flat sheet 250x290 - 98 1/3x114 1/3  
Nr.2 pillowcases 80x50 - 78 2/3x51 1/3

BVS (LNZ05K) - KING SIZE  
Flat sheet 270x290 - 106 1/3x114 1/3  
Nr.2 pillowcases 80x50 - 78 2/3x51 1/3

### 2 PILLOWCASES SET

BVS (FED05)  
Nr.2 pillowcases 80x50 - 78 2/3x51 1/3



**OUTDOOR**

SOFA

# LA MEDUSA ROUND METAL OUTDOOR

Shaped curved metal frame in White Soft Touch Dust or Black Soft Touch Dust, enhanced by the iconic 3D Metal Medusa logo in a coordinated finish. The generously padded back cushions feature removable covers, combining comfort and practicality for outdoor use.

[SEE ON WEBSITE](#)



SOFA

# LA MEDUSA ROUND METAL OUTDOOR

## TECHNICAL SHEET

### FRAME

Shaped curved metal with White Soft Touch Dust or Black Soft Touch Dust.  
3D Metal Medusa logo with coordinated finishing.

### SEAT

Wood padded with Polyurethane and Fiberfill.

### BACK CUSHIONS

"LR" **OUTDOOR LIGHT RAIN**: back cushion in Polyurethane and Polyester fibre with waterproof under cover.

**N.B. The products "LR" are not suitable for prolonged exposure to rain or high humidity.**

### COVER

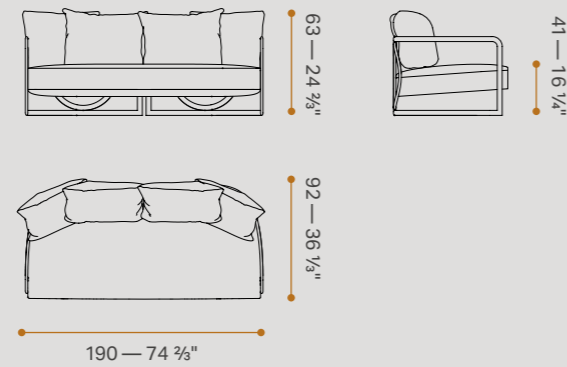
Not removable fabric or leather cover.  
Back cushions with removable cover.

### OUTDOOR COVER

Waterproof cover.

### 2 seater sofa

RR1 (D2)



### Finishings - frame



ARMCHAIR

# LA MEDUSA ROUND METAL OUTDOOR

The sophisticated La Medusa Round Metal outdoor armchair enriches the Versace Home collection with an elegant and welcoming curved frame, and elongated seat with an oval-shaped backrest. Comfortable and full of character, the seat is personalized with a three-dimensional version of the House of Versace's iconic Medusa.

[➤ SEE ON WEBSITE](#)



ARMCHAIR

# LA MEDUSA ROUND METAL OUTDOOR

## TECHNICAL SHEET

### FRAME

Shaped curved metal with White Soft Touch Dust, Black Soft Touch Dust, with coordinated 3D Metal Medusa logo.

### SEAT

Okume wood padded with Polyurethane and Fiberfill.

### CUSHION

"LR" OUTDOOR LIGHT RAIN: back cushion in Polyurethane and Polyester fibre with waterproof under cover.

**N.B. The products "LR" are not suitable for prolonged exposure to rain or high humidity.**

### COVER

Not removable fabric cover, back cushion with removable cover.

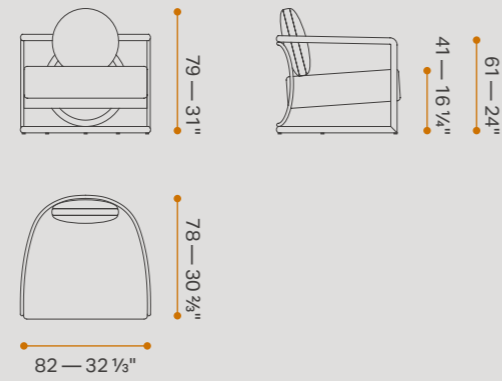
Not available with institutional panel fabric.

### OUTDOOR COVER

Waterproof cover.

### Armchair

RR1 (POL)



### Finishings - frame



CONVERSATION SOFA

# MEDUSA '95 OUTDOOR

Available in two different depths, Medusa '95 Conversation Sofa by Versace Home is destined for outdoor spaces, where conviviality meets the comfort of the bedroom, thanks to the broad seat and generous cushions. This furnishing is personalized with a three-dimensional version of the House of Versace's iconic Medusa.

➤ [SEE ON WEBSITE](#)



CONVERSATION SOFA

# MEDUSA '95 OUTDOOR

## TECHNICAL SHEET

### "LR" OUTDOOR LIGHT RAIN

N.B. The products "LR" are not suitable for prolonged exposure to rain or high humidity.

### FRAME

Waterproof wood padded with Polyurethane and Polyester fibre.

Icon big logo with belt loop, White Soft Touch Dust or Black Soft Touch Dust finishing.

Seat frame with interwoven elastic bands.

### SEAT CUSHIONS

Cushion in Polyurethane and Polyester fibre with waterproof under cover.

### COVER

Fabric or leather removable cover. Institutional outdoor panel fabrics available only on the back cushions.

### FEET

Plastic feet.

### OPTIONAL CUSHION

Back cushions in Polyester fibre with waterproof under cover:

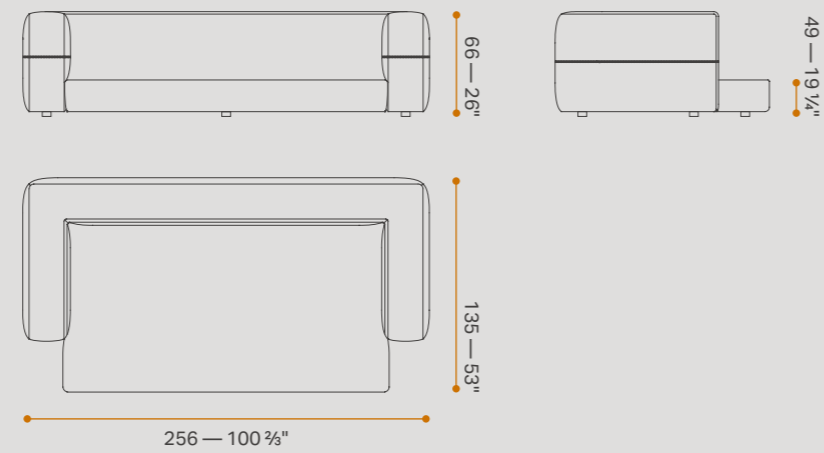
- Cushion 60×60 with roll, removable cover with leather band and optional Metal logo, coordinated finishing.
- Cushion 50×50 and 60×60, removable cover with leather band, optional Metal logo with coordinated finishing.

### OUTDOOR COVER

Waterproof cover.

### Conversation sofa

ZIP (SWI)



### Finishings - logo



SOFA

# STILETTO OUTDOOR

Stiletto Outdoor sofa in available lacquered in matt white with fabric bands to match the cushion covers. The clean, contemporary lines of the frame taper down into the feet, recalling the seduction of the iconic stiletto heel. The deep, comfortable seat guarantees moments of relaxation.

➤ [SEE ON WEBSITE](#)



SOFA

# STILETTO OUTDOOR

## TECHNICAL SHEET

### FRAME

Aluminium varnished with matt white finishing.  
Covered interwoven elastic bands, coordinated with the seat cover.  
3D Metal Medusa logo with finishing coordinated with the frame colour.

### CUSHION

"LR" **OUTDOOR LIGHT RAIN**: back cushion in Polyurethane and Polyester fibre with waterproof under cover.

**N.B. The products "LR" are not suitable for prolonged exposure to rain or high humidity.**

### COVER

Fabric removable cover.

### OUTDOOR COVER

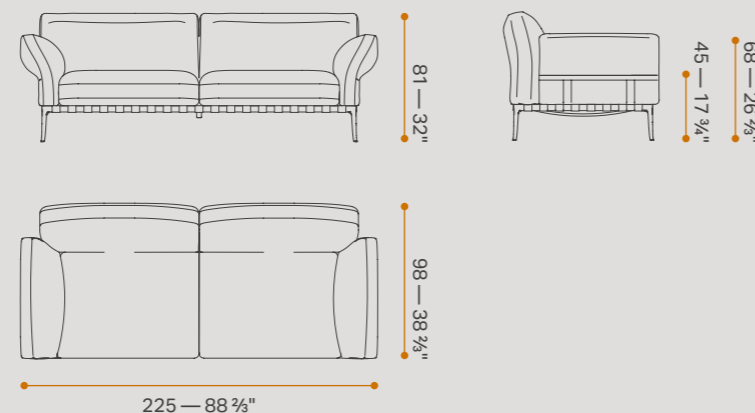
Waterproof cover.

### OPTIONAL CUSHION

Cushion with roll and internal steel counterweight.  
Padding in Polyurethane with waterproof under cover. Removable cover.

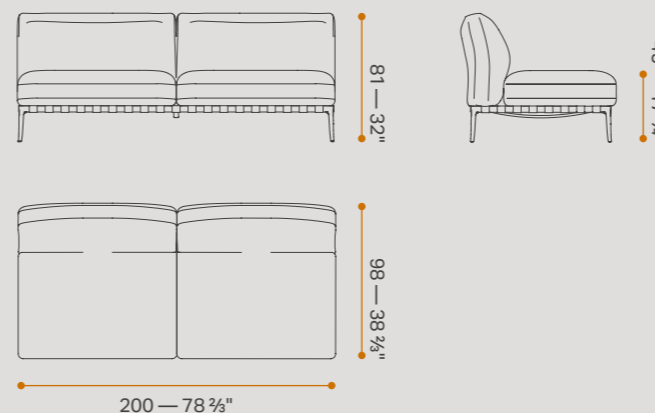
### 3 seater sofa

HEO (D3)



### Central element

HEO (EGCN)



### Finishing - frame and logo

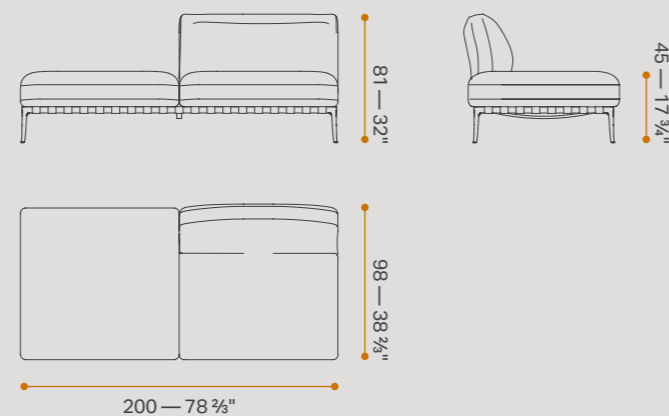


MATT  
WHITE

### Central element with right or left back

HEO (ECND) - HEO (ECNS)

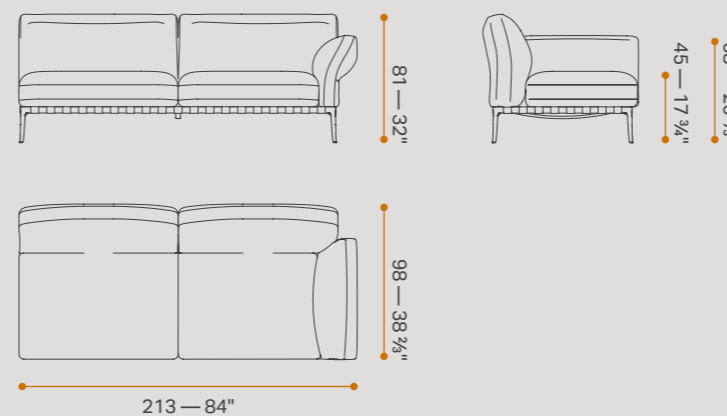
Drawing: right element



### Seat element with right or left armrest

HEO (EGD) - HEO (EGS)

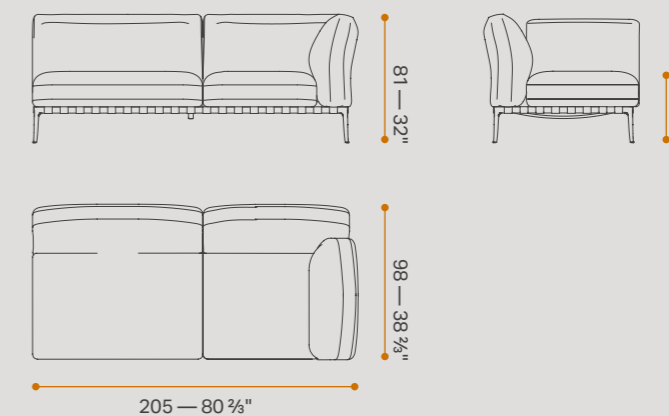
Drawing: right element



### Right or left corner element

HEO (ANGD) - HEO (ANGS)

Drawing: right element



SOFA

# STILETTO OUTDOOR

## TECHNICAL SHEET

### FRAME

Aluminium varnished with matt white finishing.  
Covered interwoven elastic bands, coordinated with the seat cover.  
3D Metal Medusa logo with finishing coordinated with the frame colour.

### CUSHION

"LR" **OUTDOOR LIGHT RAIN**: back cushion in Polyurethane and Polyester fibre with waterproof under cover.

**N.B. The products "LR" are not suitable for prolonged exposure to rain or high humidity.**

### COVER

Fabric removable cover.

### OUTDOOR COVER

Waterproof cover.

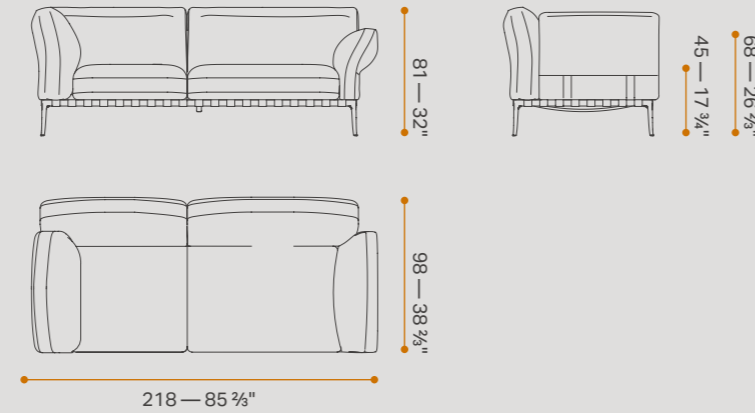
### OPTIONAL CUSHION

Cushion with roll and internal steel counterweight. Padding in Polyurethane with waterproof under cover. Removable cover.

### Corner element with right or left armrest

HEO (ANGBD) - HEO (ANGBS)

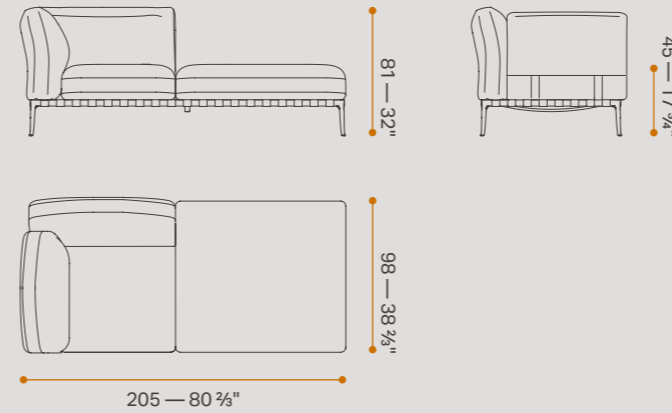
Drawing: right element



### Right or left corner element with left or right ottoman

HEO (ANGPD) - HEO (ANGPS)

Drawing: right element



### Finishing - frame and logo

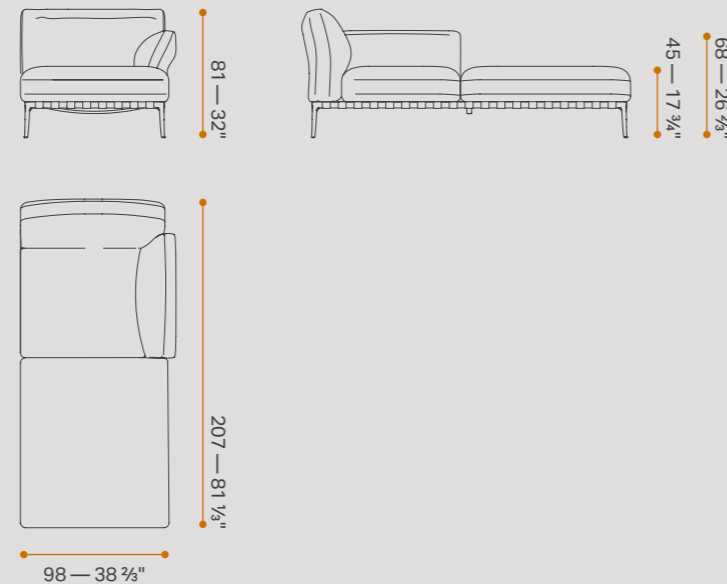


MATT  
WHITE

### Right or left chaise longue

HEO (CLD) - HEO (CLS)

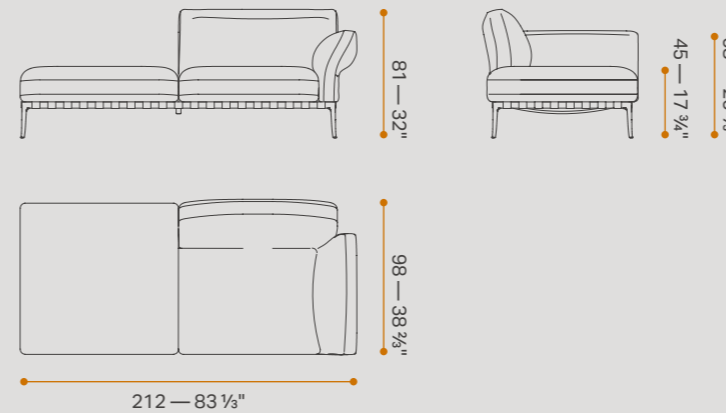
Drawing: right element



### Right or left dormeuse

HEO (DORD) - HEO (DORS)

Drawing: right element



SOFA

# STILETTO OUTDOOR

## TECHNICAL SHEET

### FRAME

Aluminium varnished with matt white finishing.  
Covered interwoven elastic bands, coordinated with the seat cover.  
3D Metal Medusa logo with finishing coordinated with the frame colour.

### CUSHION

"LR" **OUTDOOR LIGHT RAIN**: back cushion in Polyurethane and Polyester fibre with waterproof under cover.

**N.B. The products "LR" are not suitable for prolonged exposure to rain or high humidity.**

### COVER

Fabric removable cover.

### OUTDOOR COVER

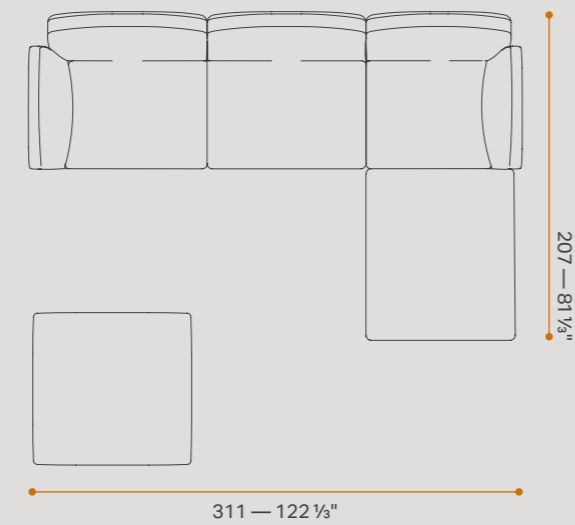
Waterproof cover.

### OPTIONAL CUSHION

Cushion with roll and internal steel counterweight.  
Padding in Polyurethane with waterproof under cover. Removable cover.

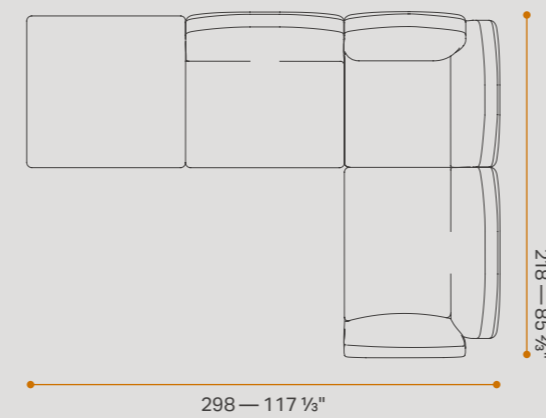
### Example of sectional sofa

HEO (EGS) + HEO (CLD) + HEO (POU)



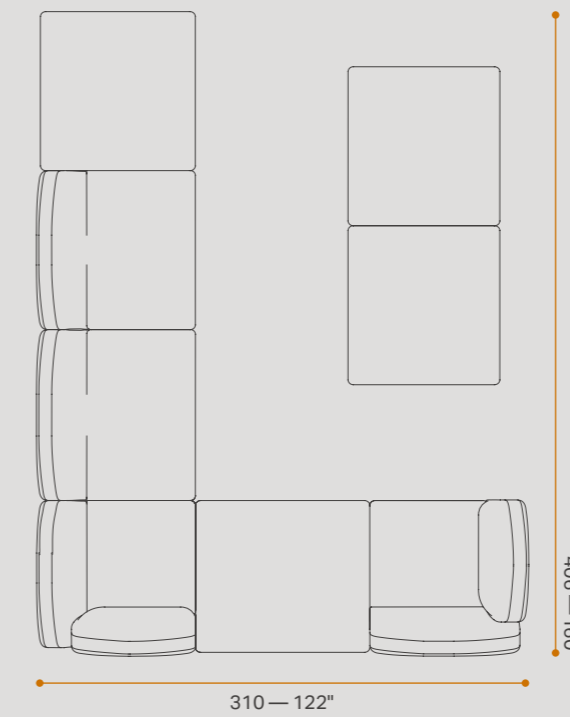
### Example of sectional sofa

HEO (ECND) + HEO (ANGBD)



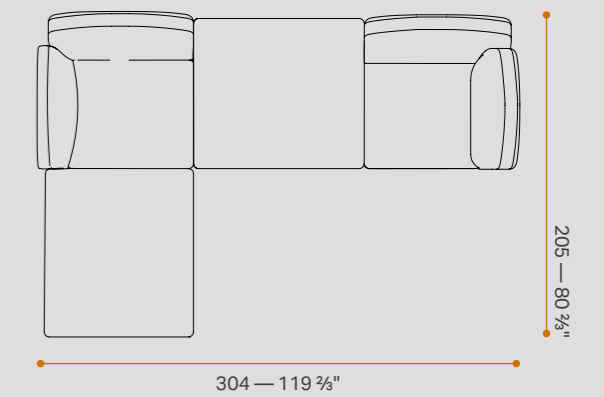
### Example of sectional sofa

HEO (ECNS) + HEO (ANGS) + HEO (DORD) + HEO (PAN)



### Example of sectional sofa

HEO (CLS) + HEO (ANGPD)



ARMCHAIR

# STILETTO OUTDOOR

Stiletto Outdoor armchair in available lacquered in matt white with fabric bands to match the cushion covers. The clean, contemporary lines of the frame taper down into the feet, recalling the seduction of the iconic stiletto heel. The deep, comfortable seat guarantees moments of relaxation.

➤ [SEE ON WEBSITE](#)



ARMCHAIR

# STILETTO OUTDOOR

## TECHNICAL SHEET

### FRAME

Aluminium varnished with matt white finishing.  
Covered interwoven elastic bands, coordinated with the seat cover.  
3D Metal Medusa logo with finishing coordinated with the frame colour.

### CUSHION

"LR" **OUTDOOR LIGHT RAIN**: back cushion in Polyurethane and Polyester fibre with waterproof under cover.

**N.B. The products "LR" are not suitable for prolonged exposure to rain or high humidity.**

### COVER

Fabric removable cover.

### OUTDOOR COVER

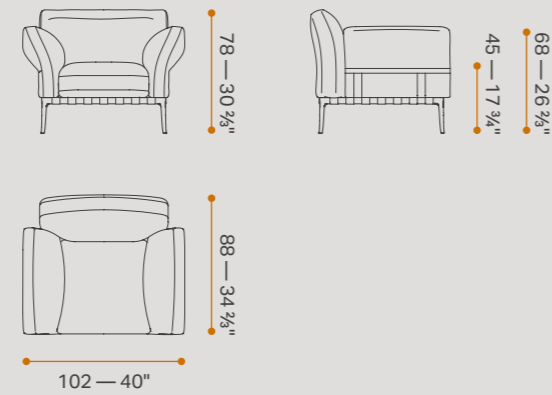
Waterproof cover.

### OPTIONAL CUSHION

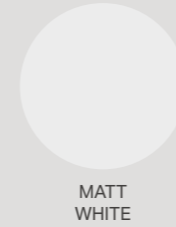
Cushion with roll and internal steel counterweight.  
Padding in Polyurethane with waterproof under cover. Removable cover.

### Armchair

HEO (POL)



### Finishing - frame and logo



SUNBED

# STILETTO OUTDOOR

Stiletto Outdoor sunbed in available lacquered in matt white with fabric bands to match the cushion covers. The clean, contemporary lines of the frame taper down into the feet, recalling the seduction of the iconic stiletto heel. The deep, comfortable seat guarantees moments of relaxation.

➤ [SEE ON WEBSITE](#)



SUNBED

# STILETTO OUTDOOR

## TECHNICAL SHEET

### FRAME

Aluminium varnished with matt white finishing.  
Covered interwoven elastic bands, coordinated with the seat cover.  
3D Metal Medusa logo with finishing coordinated with the frame colour.

### CUSHION

"LR" **OUTDOOR LIGHT RAIN**: back cushion in Polyurethane and Polyester fibre with waterproof under cover.

**N.B. The products "LR" are not suitable for prolonged exposure to rain or high humidity.**

### COVER

Fabric removable cover.

### OUTDOOR COVER

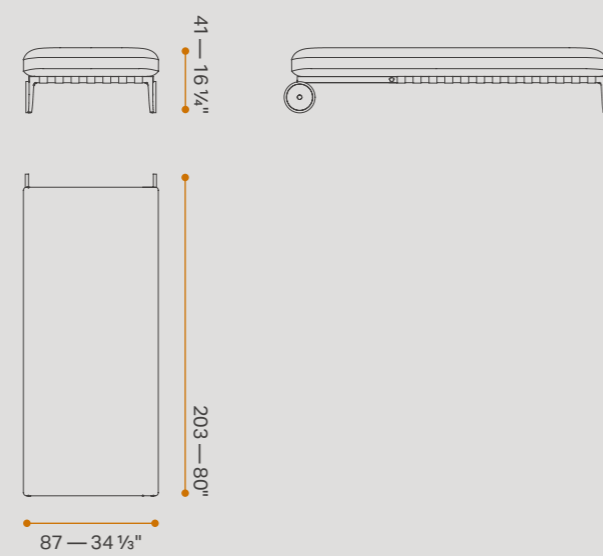
Waterproof cover.

### OPTIONAL CUSHION

Cushion with roll and internal steel counterweight.  
Padding in Polyurethane with waterproof under cover. Removable cover.

### Sunbed

HEO (LET)



### Finishing - frame and logo



MATT  
WHITE

OTTOMAN

# STILETTO OUTDOOR

Stiletto Outdoor ottoman in available lacquered in matt white with fabric bands to match the cushion covers. The clean, contemporary lines of the frame taper down into the feet, recalling the seduction of the iconic stiletto heel. The deep, comfortable seat guarantees moments of relaxation.

➤ [SEE ON WEBSITE](#)



OTTOMAN

# STILETTO OUTDOOR

## TECHNICAL SHEET

### FRAME

Aluminium varnished with matt white finishing.  
Covered interwoven elastic bands, coordinated with the seat cover.  
3D Metal Medusa logo with finishing coordinated with the frame colour.

### CUSHION

"LR" **OUTDOOR LIGHT RAIN**: back cushion in Polyurethane and Polyester fibre with waterproof under cover.

**N.B. The products "LR" are not suitable for prolonged exposure to rain or high humidity.**

### COVER

Fabric removable cover.

### OUTDOOR COVER

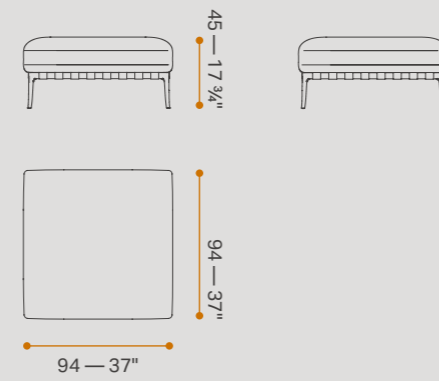
Waterproof cover.

### OPTIONAL CUSHION

Cushion with roll and internal steel counterweight.  
Padding in Polyurethane with waterproof under cover. Removable cover.

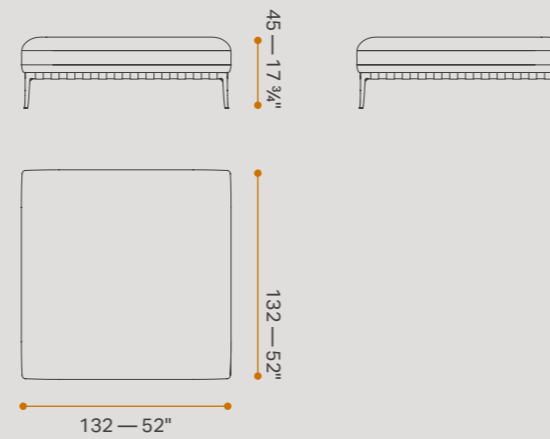
### Ottoman

HEO (POU)



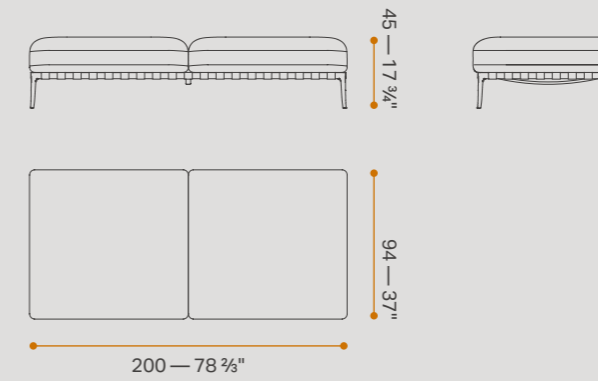
### Love bed

HEO (LB)



### Bench

HEO (PAN)



### Finishing - frame and logo



MATT  
WHITE

OTTOMAN

# NARCISSUS OUTDOOR

The refined fabric cover of the Narcissus outdoor ottoman is trimmed with coordinated piping or with beige passementerie, an expression of the luxuriousness of Versace, thanks to the iconic prints. An indoor version of this furnishing is also available.

➤ [SEE ON WEBSITE](#)



OTTOMAN

# NARCISSUS OUTDOOR

## TECHNICAL SHEET

### FRAME

Water repellent wood padded with Polyurethane and Fiberfill.

### COVER

Not removable outdoor fabric and coordinated piping. Alternative version: not removable outdoor institutional fabric and with passanterie beige.

### "LR" OUTDOOR LIGHT RAIN

N.B. The products "LR" are not suitable for prolonged exposure to rain or high humidity.

### FEET

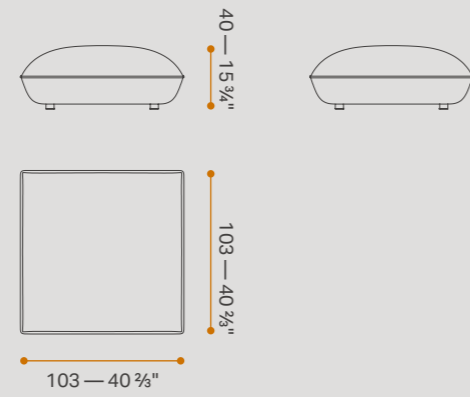
ABS black.

### OUTDOOR COVER

Waterproof cover.

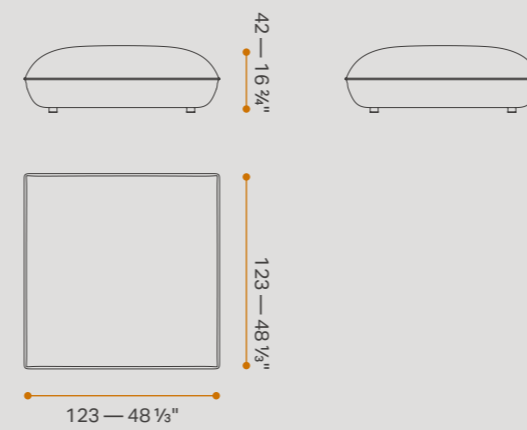
### Outdoor ottoman

VOP (01)



### Big outdoor ottoman

VOP (03)



COFFEE TABLE

# ICONIC ROUND OUTDOOR

Available topped with marble or glass, the Iconic Round outdoor coffee tables accent external spaces with an elegant yet minimal touch. The frame of each table is personalized with the unmistakable Medusa, here in a three-dimensional version.

➤ [SEE ON WEBSITE](#)



COFFEE TABLE

# ICONIC ROUND OUTDOOR

TECHNICAL SHEET

**FRAME**

Steel varnished Black Soft Touch or White Soft Touch, 3D Metal Medusa logo with coordinated finishing.

**TOP**

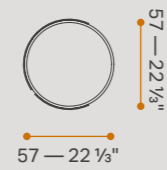
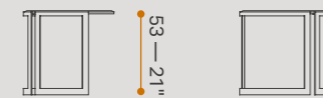
Marquina Black, Carrara Gioia, Fior di Pesco, Sahara Noir, Valentine Grey, Calacatta Gold, Calcite Blue, Green Ming, special marble Fiordo Rosa, with glossy finishing.

**N.B.** Each stone, being a natural product, is a one-of-a-kind piece and can therefore exhibit colour and structural differences.

Alternative top version in bevelled stratified glass, Dark Grey back lacquered black, extra clear back lacquered Arctic White.

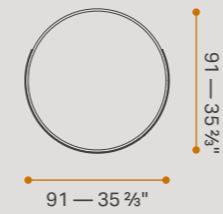
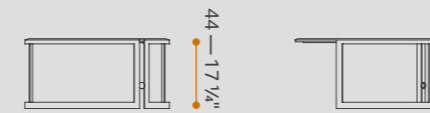
**Side table**

VTC (20V)  
VTC (20M)



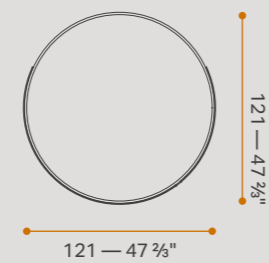
**Coffee table**

VTC (21V)  
VTC (21M)



**Coffee table**

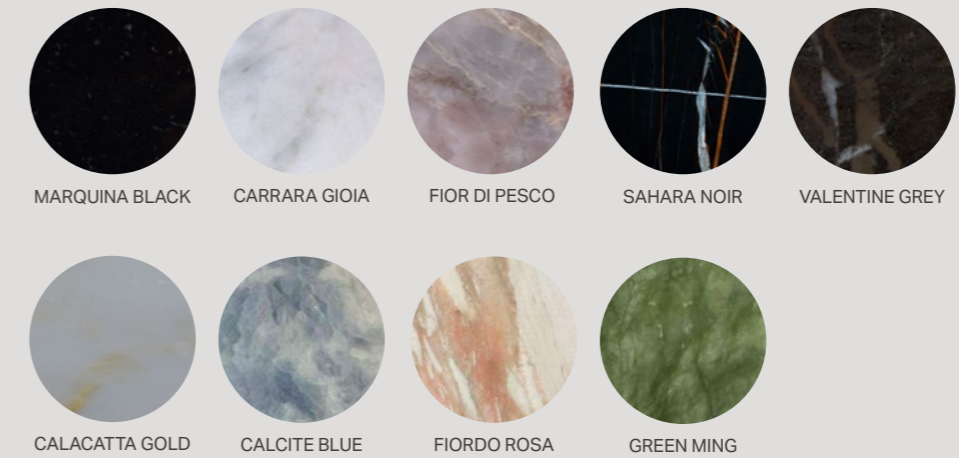
VTC (22V)  
VTC (22M)



**Finishings - frame and logo**



**Marble - top**

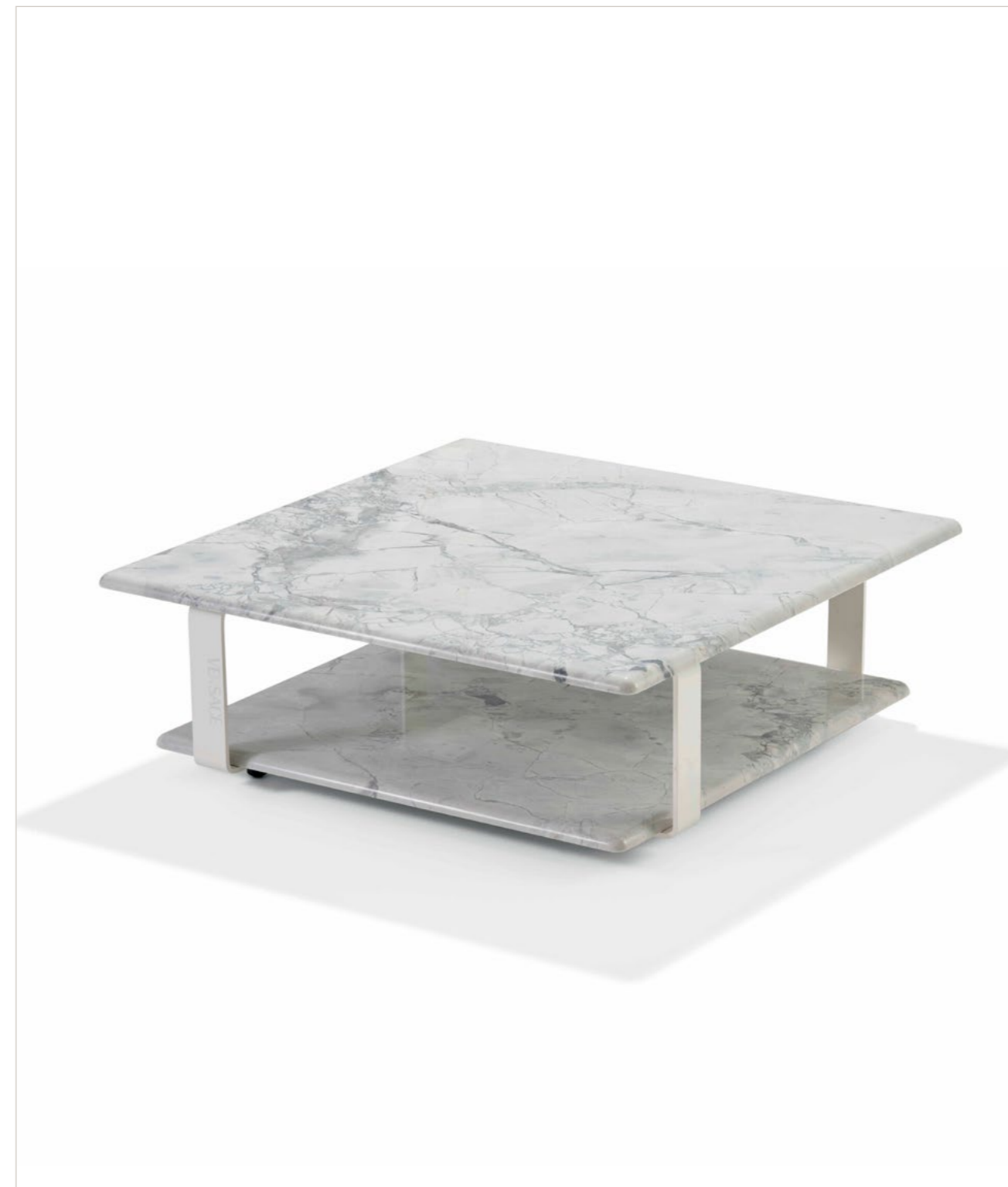


COFFEE TABLE

# LA GRECA OUTDOOR

Designed to bring the style and charm of Versace Home furnishings outside, La Greca Outdoor coffee tables feature a steel varnished frame etched with the Versace logo. Coordinated upper and lower top in Galaxy Stone or Super White marble, with glossy finishing.

➤ [SEE ON WEBSITE](#)



COFFEE TABLE

# LA GRECA OUTDOOR

TECHNICAL SHEET

**FRAME**

Steel varnished in matt white colour, with etched Versace logo.  
Varnished steel feet in matt black colour.

**UPPER TOP**

Galaxy Stone or Super White marble, with glossy finishing.

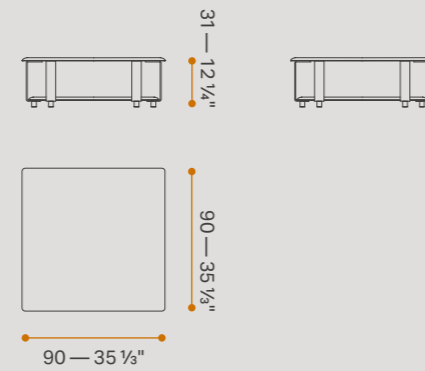
**N.B.** Each stone, being a natural product, is a one-of-a-kind piece and can therefore exhibit colour and structural differences.

**LOWER TOP**

Marble coordinated with the upper top.

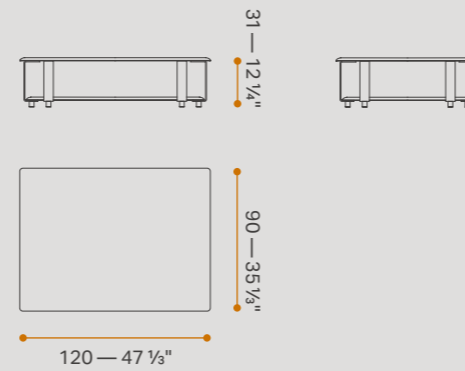
**Coffee table**

VTC (03)



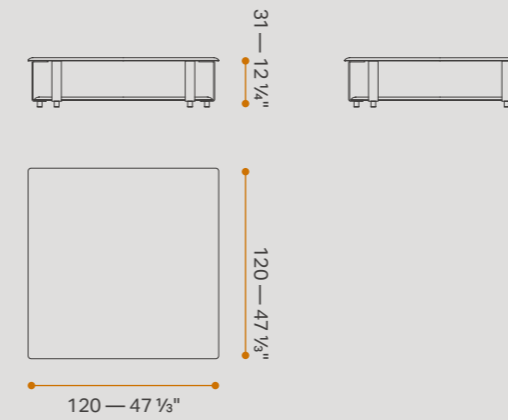
**Coffee table**

VTC (04)



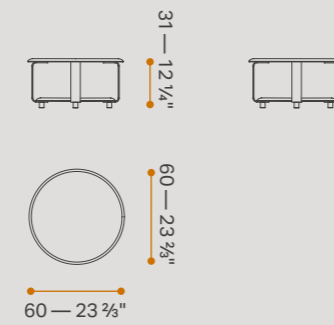
**Coffee table**

VTC (05)



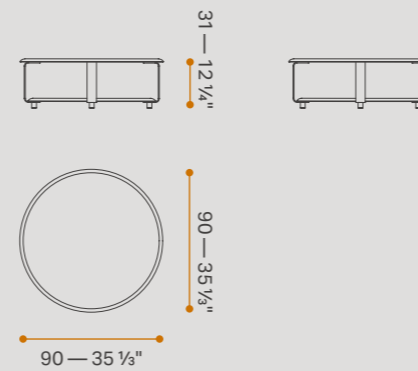
**Round coffee table**

VTC (06)



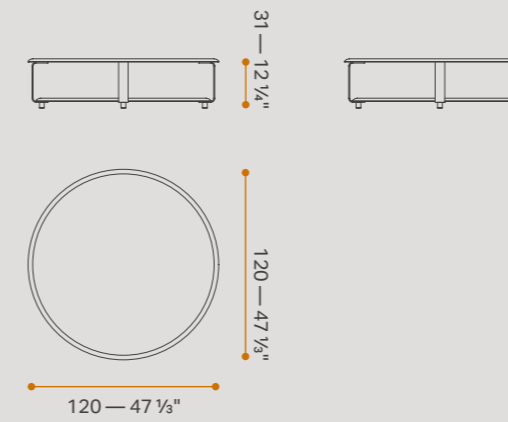
**Round coffee table**

VTC (07)

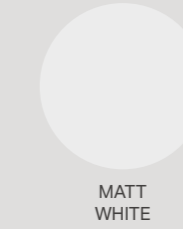


**Round coffee table**

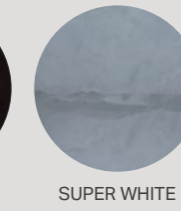
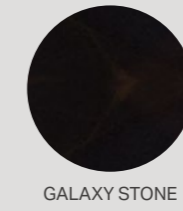
VTC (08)



**Finishing - frame**



**Marble - top**



COFFEE TABLE

# STILETTO OUTDOOR

In Stiletto outdoor coffee tables, Versace's forceful femininity is celebrated in every detail. The aluminium frame boasts matt white finishing and a 3D Metal Medusa logo, while the top comes in Galaxy Stone or Super White marble, with glossy finishing.

➤ [SEE ON WEBSITE](#)



COFFEE TABLE

# STILETTO OUTDOOR

TECHNICAL SHEET

**FRAME**

Aluminium with matt white finishing.  
3D Metal Medusa logo with coordinated finishing.

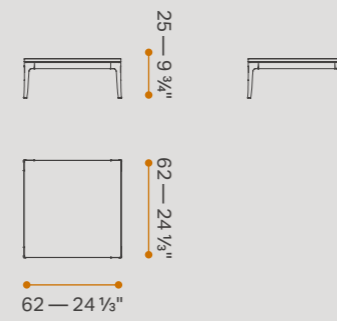
**TOP**

Galaxy Stone, Super White or White Lasa marble,  
with glossy finishing.

**N.B.** Each stone, being a natural product, is a  
one-of-a-kind piece and can therefore exhibit  
colour and structural differences.

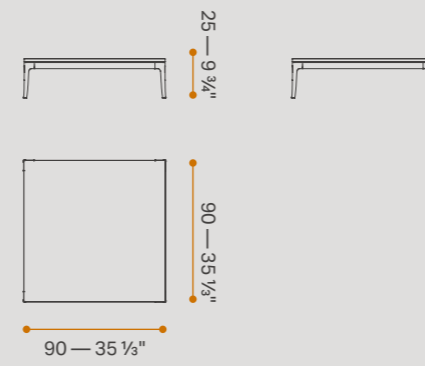
**Low coffee table**

VTC (09)



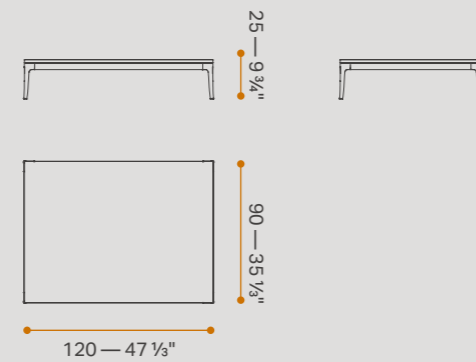
**Low coffee table**

VTC (10)



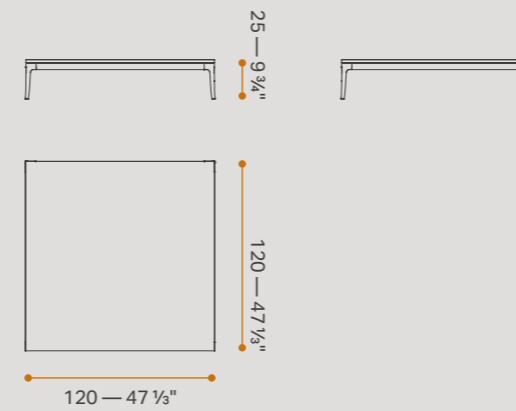
**Low coffee table**

VTC (12)



**Low coffee table**

VTC (11)

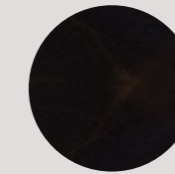


**Finishing - frame and logo**

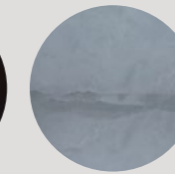


MATT  
WHITE

**Marble - top**



GALAXY STONE



SUPER WHITE



WHITE LASA

COFFEE TABLE

# STILETTO OUTDOOR

TECHNICAL SHEET

**FRAME**

Aluminium with matt white finishing.  
3D Metal Medusa logo with coordinated finishing.

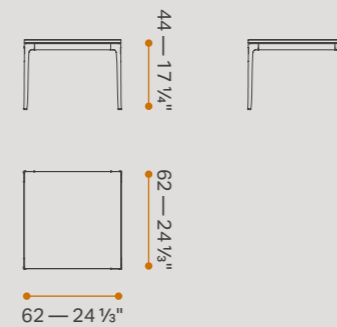
**TOP**

Galaxy Stone, Super White or White Lasa marble,  
with glossy finishing.

**N.B.** Each stone, being a natural product, is a  
one-of-a-kind piece and can therefore exhibit  
colour and structural differences.

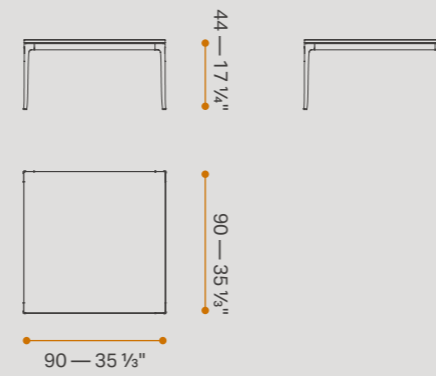
**Coffee table**

VTC (13)



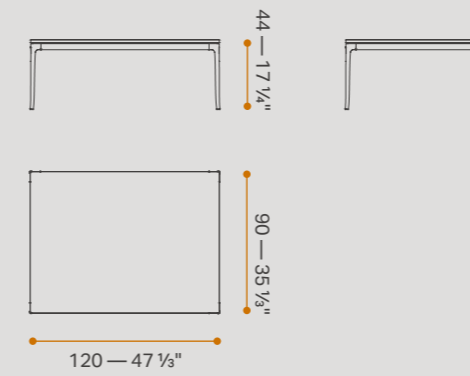
**Coffee table**

VTC (14)

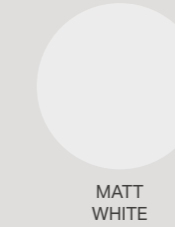


**Coffee table**

VTC (16)

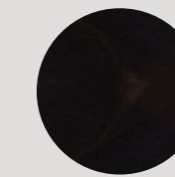


**Finishing - frame and logo**

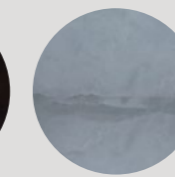


MATT  
WHITE

**Marble - top**



GALAXY STONE



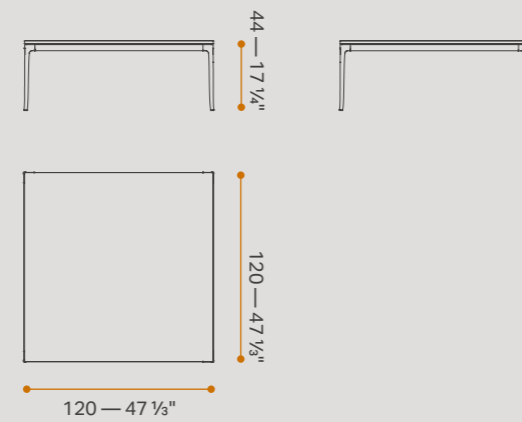
SUPER WHITE



WHITE LASA

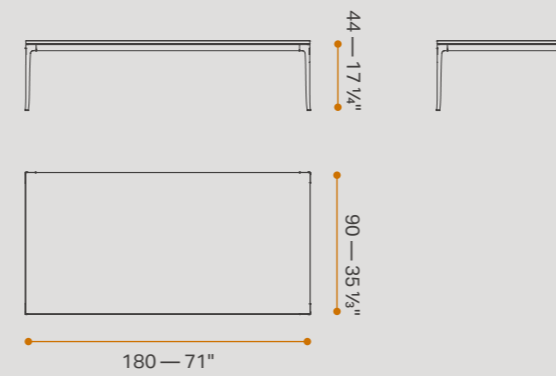
**Coffee table**

VTC (15)



**Coffee table**

VTC (17)



TABLE

# STILETTO OUTDOOR

In Stiletto Outdoor table, Versace's forceful femininity is celebrated in every detail. The aluminium frame is available with matt white finishing and 3D Metal Medusa logo, topped in Super White or Galaxy Stone marble, with glossy finishing.

➤ [SEE ON WEBSITE](#)



TABLE  
**STILETTO  
 OUTDOOR**

TECHNICAL SHEET

**FRAME / LEGS**

Aluminium with matt white finishing.  
 3D Metal Medusa logo with coordinated finishing.

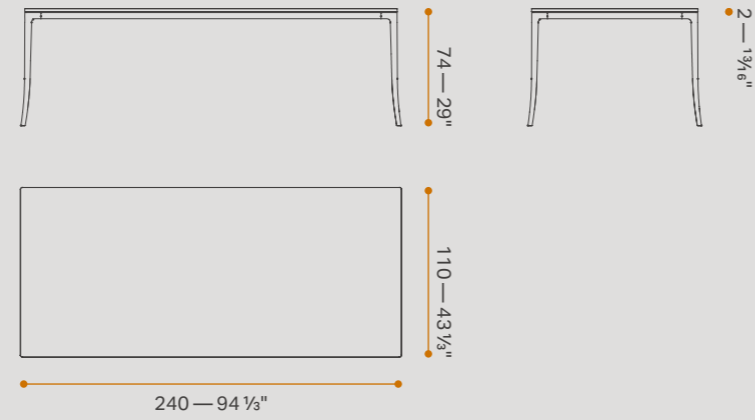
**TOP**

Super White or Galaxy Stone marble, with glossy finishing. Stainless steel under top, varnished in matt black colour.

**N.B.** Each stone, being a natural product, is a one-of-a-kind piece and can therefore exhibit colour and structural differences.

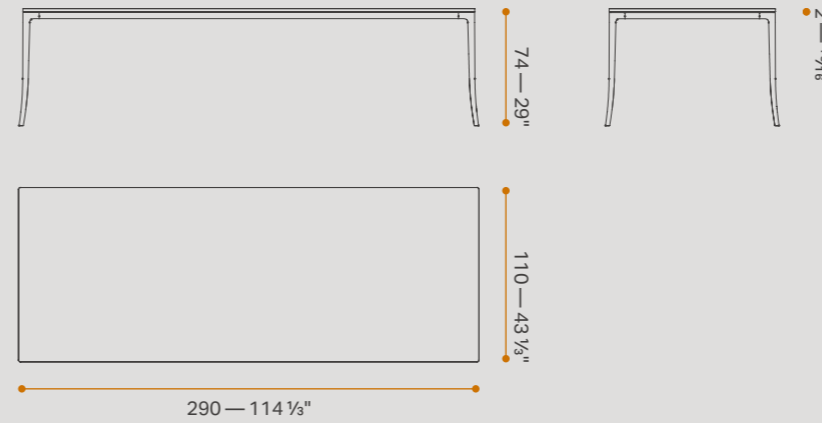
**Rectangular table**

VTO (03)

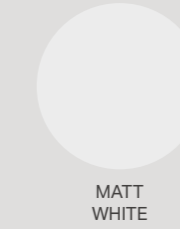


**Rectangular table**

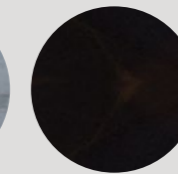
VTO (02)



**Finishing - frame and logo**



**Marble - top**



CHAIR

# STILETTO INTRECCIO OUTDOOR

Interpreted in an outdoor version, Stiletto Intreccio chair by Versace Home features varnished white steel with interwoven rope and a fabric cover on the seat. The clean, contemporary lines of the frame taper down into the feet, recalling the seduction of the iconic stiletto heel.

➤ [SEE ON WEBSITE](#)



CHAIR

# STILETTO INTRECCIO OUTDOOR

## TECHNICAL SHEET

### FRAME

Steel varnished with matt white finishing and interwoven white rope. 3D Metal Medusa logo with finishing coordinated with the frame colour.

### CUSHION

"LR" OUTDOOR LIGHT RAIN: back cushion in Polyurethane and Polyester fibre with waterproof under cover.

**N.B. The products "LR" are not suitable for prolonged exposure to rain or high humidity.**

### COVER

Fabric not removable cover.

### BASE / LEGS

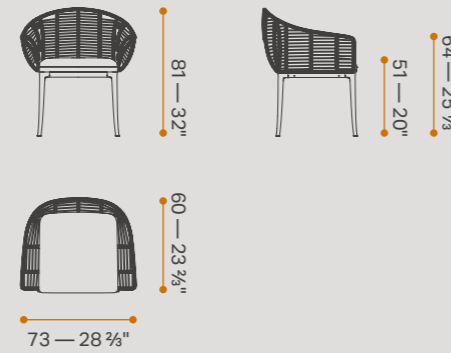
Aluminium with matt white finishing.

### OUTDOOR COVER

Waterproof cover.

### Outdoor chair

SDV (20)



### Finishing - frame and logo



MATT  
WHITE

OCCASIONAL CHAIR

# POP MEDUSA

This occasional chair stands out for its enveloping silhouette and statement aesthetic. Its structure, defined by a monobloc sculptural shell in technical material, is distinguished by a high-gloss or matte finish and a 3D Medusa sculpture adorning the backrest. Available in a rich palette of colors, the Pop Medusa chair enhances any setting with a strong personality and a touch of irony.

[↗ SEE ON WEBSITE](#)



OCCASIONAL CHAIR

# POP MEDUSA

## TECHNICAL SHEET

### FRAME

Occasional indoor or outdoor chair made with a Polyethylene monoblock, with a sculptural 3D Medusa on the back.

Available in Red or Black colour with matt finishing or in Black, White, Pink, Yellow, Blue, Purple, Orange, Green, Chianti, Silver or Gold colour, with glossy finishing.

### Occasional chair

SDV (05)

cm 70×63×93 H - HS 37

27 2/3×24 2/3×36 2/3" H - HS 14 3/4"

### Lacquered - frame



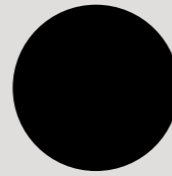
MATT  
BLACK



MATT  
RED



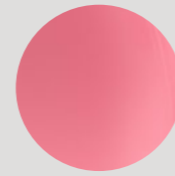
GLOSSY  
CHIANTI



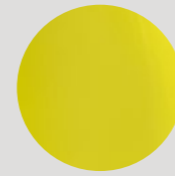
GLOSSY  
BLACK



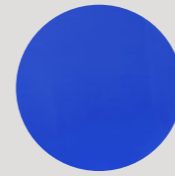
GLOSSY  
WHITE



GLOSSY  
PINK



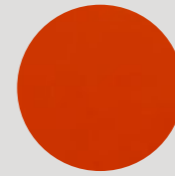
GLOSSY  
YELLOW



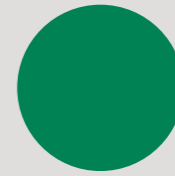
GLOSSY  
BLUE



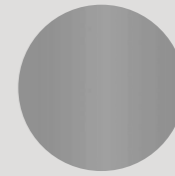
GLOSSY  
PURPLE



GLOSSY  
ORANGE



GLOSSY  
GREEN



GLOSSY  
SILVER



GLOSSY  
GOLD

# VERSACE

HOME

FULDA

Vor dem Pet er s t or 16  
36037 Ful da

KONTAKTAUFNAHME PER TELEFON:

+49 661 90169278

KONTAKTAUFNAHME PER E-MAIL:

[versace@homestore-fulda.de](mailto:versace@homestore-fulda.de)

WEITERE INFORMATI ONEN:

[www.versace.homestore-fulda.de](http://www.versace.homestore-fulda.de)

[www.langorya.de](http://www.langorya.de)